

DFE

Digital Soft Starters

Up to 195Amp



Soft Starters and Energy
Optimising Soft Starters

Installation Instructions Montageanweisung Notice d'installation Istruzioni per il montaggio Instrucciones de montaje

This device is suitable for use in industrial environments. EN 55011/22 Class A
Das Gerät ist für den industriellen Einsatz geeignet EN 55011/22 Klasse A.
L'appareil a été conçu pour l'emploi en milieu industriel EN 55011/22 classe A.
L'apparecchio è adatto per uso in ambienti industriali EN 55011/22 Classe A.
El aparato es adecuado para uso en ambiente industrial EN 55011/22 clase A.

Electric shock risk. Danger

Only skilled or instructed persons may carry out the following operations.

Lebensgefahr durch elektrischen Strom!

Nur Elektrofachkräfte und elektrotechnisch unterwiesene Personen dürfen die im Folgenden beschriebenen Arbeiten ausführen.

Tension électrique dangereuse !

Seules les personnes qualifiées et averties doivent exécuter les travaux ci-après.

Tensione elettrica: Pericolo di morte!

Solo persone abilitate e qualificate possono eseguire le operazioni di seguito riportate.

¡Corriente eléctrica! ¡Peligro de muerte!

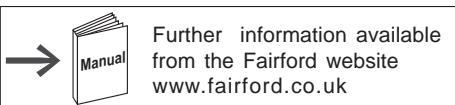
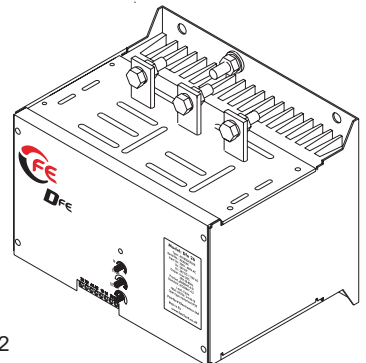
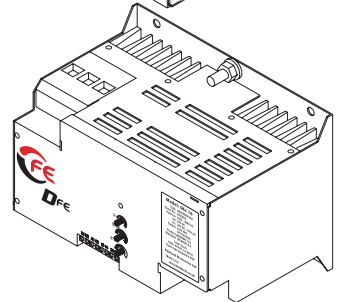
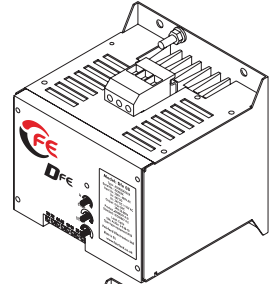
El trabajo a continuación descrito debe ser realizado por personas cualificadas y advertidas.



DFE-02	11kW @ 400V	22Amp
DFE-04	15kW @ 400V	29Amp
DFE-06	22kW @ 400V	41Amp
DFE-08	30kW @ 400V	55Amp

DFE-12	37kW @ 400V	66Amp
DFE-14	45kW @ 400V	80Amp
DFE-16	55kW @ 400V	97Amp

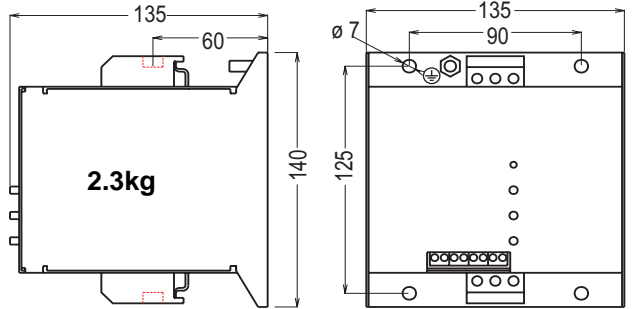
DFE-22	75kW @ 400V	132Amp
DFE-24	90kW @ 400V	160Amp
DFE-26	110kW @ 400V	195Amp



Further information available from the Fairford website
www.fairford.co.uk

Dimensions – Abmessungen – Dimensioni – Dimensiones

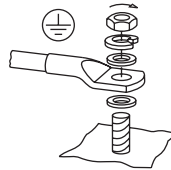
DFE-02 to DFE-08 11kW to 30kW



Power cables/Leistungsleitungen/Conducteurs de puissance/Cavi di potenza/Conductores de potencia

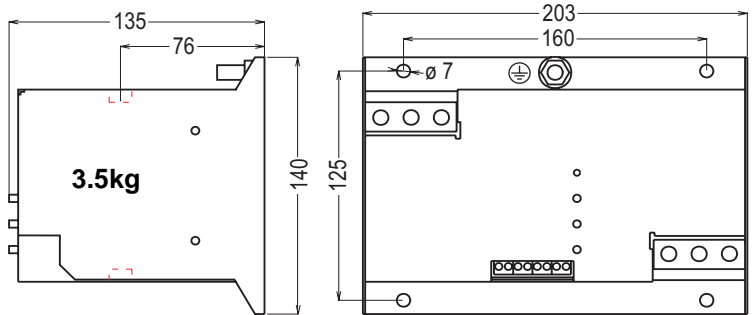
Mountings suitable for M6
90mm x 125mm centres

1L1, 3L2, 5L3, 2T1, 4T2, 6T3				
mm ²	AWG	mm	Nm	mm
6 - 16	10 - 4	13	1.2	0.8 x 4



M6 8 Nm

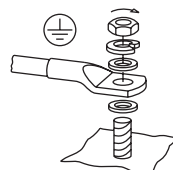
DFE-12 to DFE-16 37kW to 55kW



Power cables/Leistungsleitungen/Conducteurs de puissance/Cavi di potenza/Conductores de potencia

Mountings suitable for M8
160mm x 125mm centres

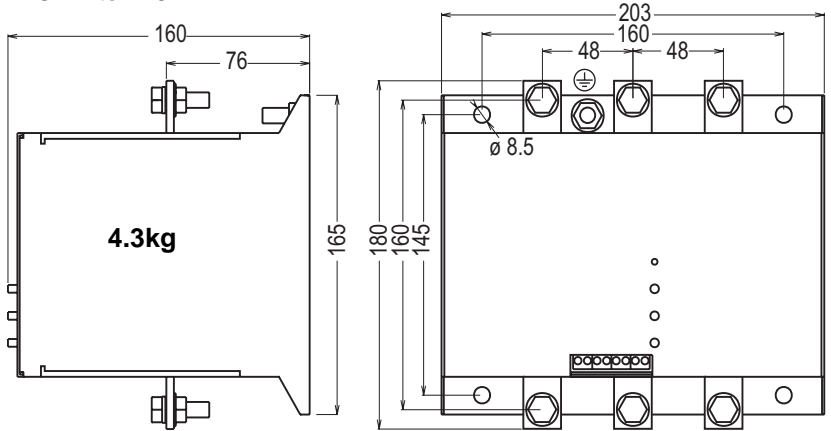
1L1, 3L2, 5L3, 2T1, 4T2, 6T3				
mm ²	AWG	mm	Nm	mm
16 - 35	6 - 1	17	2.5	1.2 x 6.5



M8 12 Nm

Dimensions – Abmessungen – Dimensioni – Dimensiones

DFE-22 to DFE-26 75kW to 110kW



Power cables/Leistungsleitungen/Conducteurs de puissance/Cavi di potenza/Conductores de potencia

1L1, 3L2, 5L3, 2T1, 4T2, 6T3 (PE)



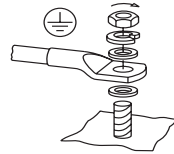
50 - 95mm²
2/0 - 4/0 AWG



20mm x 5mm

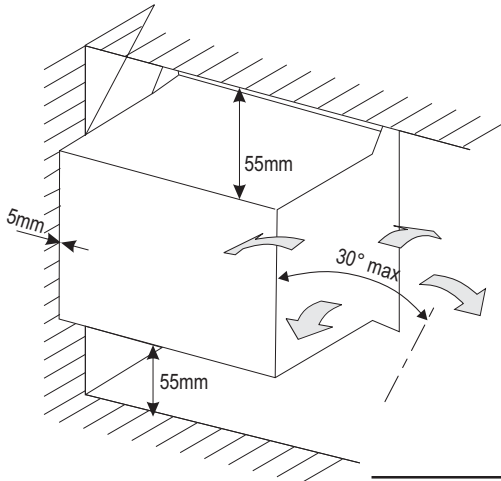


M8 - 12Nm

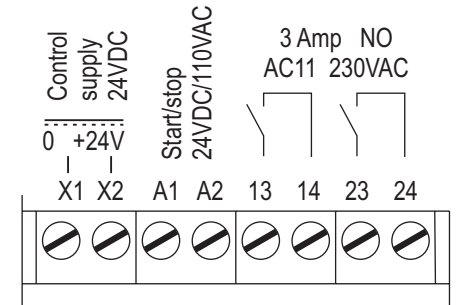


M8 12 Nm

Mountings suitable for M8.
160mm x 145mm centres

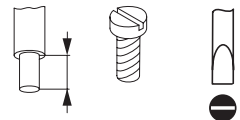


**Control cables – Steuerleitungen
Conducteurs de commande –
Cavi comandi -
Conductores de mando**



**Mounting position -
Einbaulage - Position de
montage - Posizione di
montaggio - Posición de
montaje**

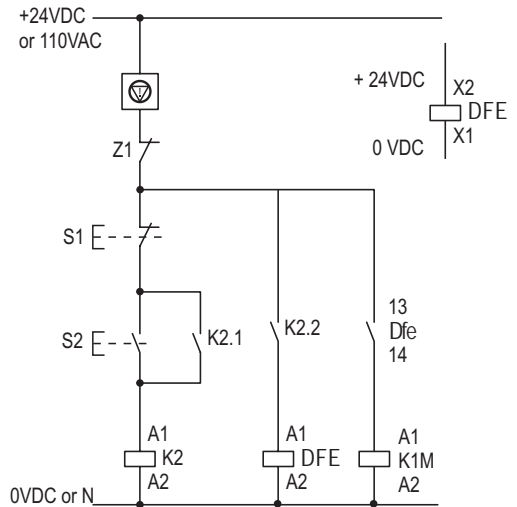
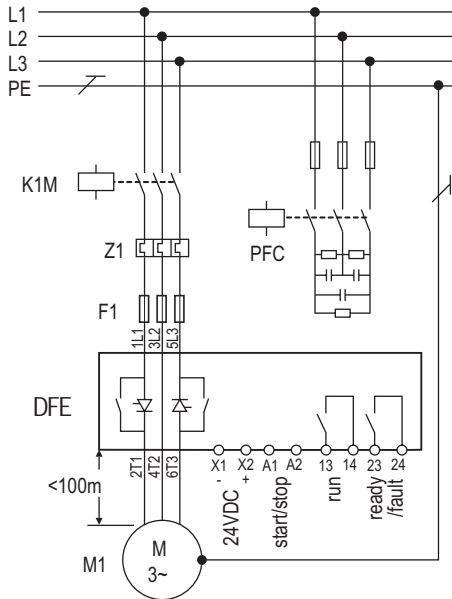
X1, X2 A1, A2
13, 14 23, 24



	mm ²	AWG	mm	Nm	mm
1 x	0.75 – 2.5	18 – 12	6	0.8	0.5 x 3.5
2 x	0.75 - 1	18 – 16	11	0.8	0.5 x 3.5

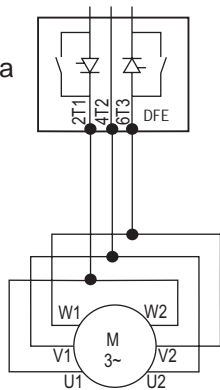
Standard connection – Standardanschluss – Raccordement standard – Collegamento standard – Conexión estándar

Soft starter with mains contactor - Softstarter mit Netzschütz – Démarreur progressif avec contacteur réseau – Softstarter con contattore di rete – Arrancador suave con contactor red

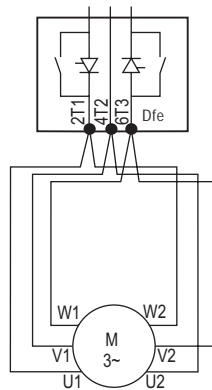


3 wire control 24 VDC/110VAC

Make the Delta at the motor



Make the Delta at the DFE



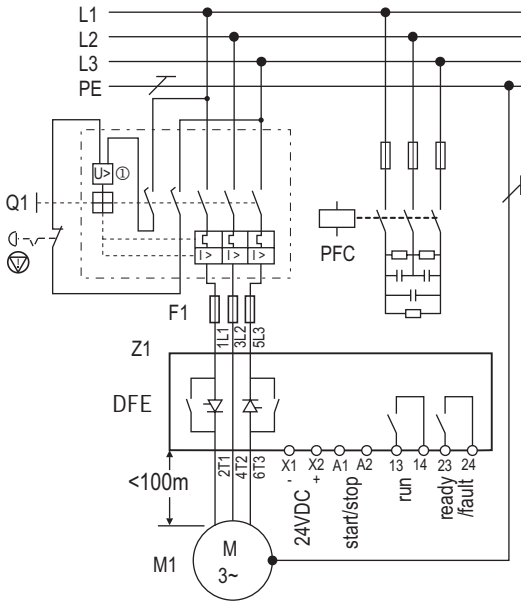
Where several conductors are to be connected, the difference between the wires/cables used must not exceed one DIN Standard size level.

Bei Mehrleiteranschluss darf maximal ein DIN-Normgrößen-Sprung zwischen den verwendeten Leitern liegen.

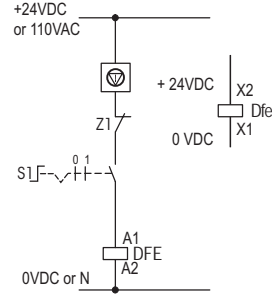
En cas de raccordement de plusieurs conducteurs, il faut 1 écartement normalisé max. entre les conducteurs.

In caso di collegamento a più conduttori, è ammesso al massimo un salto di grandezza DIN standard fra i conduttori utilizzati.

En caso de conexión de múltiples conductores puede haber como máximo un salto de magnitud normalizada DIN entre los conductores utilizados.



① Undervoltage release with early-make auxiliary contact - Unterspannungsauslöser mit voreilendem Hilfsschalter - Déclencheur à manque de tension avec contact auxiliaire à action avancée - Sganciatore di minima tensione con contatto ausiliario anticipato - Disparador de baja tensión con interruptor auxiliar adelantado



2 wire control element
 24 Volt within cabinet, 110 Volt external

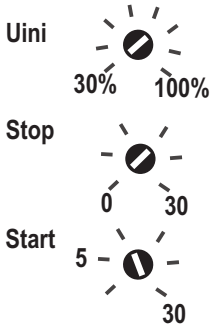
- Q1 = Cable protection - Leitungsschutz - Protezione di linea - Protección de cable - Protection de câbles
- K1M = Main contactor - Netzschütz - Contattore di rete - Contactor red - Contacteur réseau
- Z1 = Overload relay - Überlastrelais - Relè termico - Relé de sobrecarga - Relais thermique
- F1 = Semiconductor fuse for type 2 coordination, in addition to Q1 - Halbleitersicherung für Zuordnungsart 2, zusätzlich zu Q1 - Per avere la protezione del semiconduttore in coordinamento di tipo 2, è necessario un fusibile in aggiunta a Q1 - Fusible semiconductor para tipo de coordinación 2, adicionalmente a Q1 - Fusible pour semi-conducteurs pour coordination de type 2, additionnel à Q1
- Dfe = Soft Starter - Halbleiterschütz - Contactor semiconductor - Contattore a semiconduttori - Contacteur à semi-conducteurs
- A1-A2 = Start/Stop - Start/Stop - Start/Stop - Arranque/Parada - Démarrage/Arrêt
- ⊕ = EMERGENCY-STOP - NOT-AUS - ARRESTO D'EMERGENZA - PARADA DE EMERGENCIA - ARRET D'URGENCE

SERVICING

WARNING NEVER CARRY OUT ANY WORK ON ELECTRICAL OR MECHANICAL EQUIPMENT BEFORE ISOLATING ALL POWER SUPPLIES. THE DFE DOES NOT PROVIDE ISOLATION. LIVE OUTPUTS MAY BE PRESENT WITHOUT MOTOR ROTATION



Settings - Einstellungen - Réglages - Regolazioni - Regulaciones



Pedestal Voltage:- 30% for standard rating
 100% for high breakaway loads

Soft Stop time:- 0 = default range 0 S to 30 S

Soft Start time:- ~5 = default range 1S to 30S

☺ **LED green - LED grün – DEL vert – LED verde - LED verde**

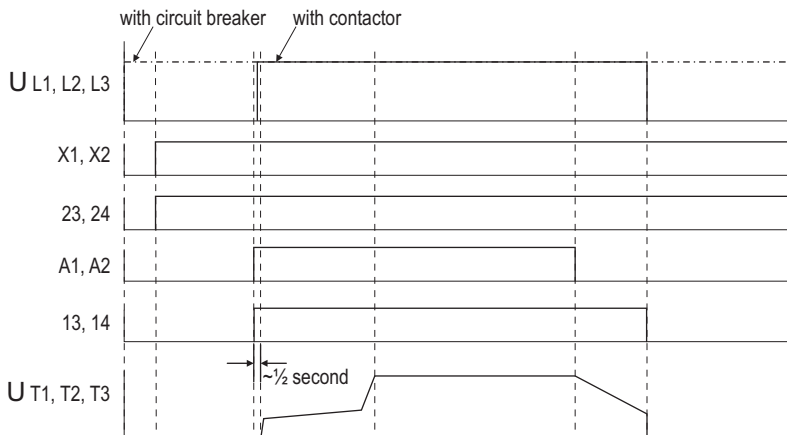
On Ready for operation – Betriebsbereit – Prêt à fonctionner – Pronto al funzionamento – En condiciones para funcionamiento
 Off Fault – Fehler – erreur – errore – error

☹ **Fault LED red – Fehler LED rot – DEL erreur rouge – LED errore rosso –LED error rojo**

flashes
 1 SCR or supply
 2 Too hot
 3 Control supply low volts
 4 Bypass relay failure

Green/Orange Flash Tripped & Reset, Ready

Green	
On	Ready
Off	Fault
Flash Red (fault)	
1	SCR / supply
2	Thermal
3	Uc < 24V
4	Bypass relay failure



Attention!

Within the scope of the EU Directives, the DFE soft starters and their accessories may be commissioned only provided it is established that the machine fulfils the protective requirements of Machine Directive 89/392/EWG.

Achtung!

Im Geltungsbereich der EG-Richtlinien dürfen die Softstarter der Reihe DFE und deren Zubehör nur dann in Betrieb genommen werden, wenn festgestellt wird, dass die Maschine die Schutzanforderungen der Maschinenrichtlinie 89/392/EWG erfüllt.

¡Atención!

En el campo de aplicación de la normativa CE, los arrancadores suaves de la serie DFE y sus correspondientes accesorios sólo deberán ponerse en marcha cuando se asegure que la máquina cumple con las exigencias de seguridad de la normativa de máquinas 89/392/CE.

Attention !

En application des directives européennes, les démarreurs progressifs de la gamme DFE et leurs accessoires ne doivent être mis en service que s'il a été vérifié que la machine répond bien aux exigences de la directive machines 89/392/EWG.

Attenzione!

Nel campo di validità delle direttive CEE i softstarter della serie DFE e i loro accessori possono essere messi in esercizio solamente se è verificato che la macchina soddisfa i requisiti di sicurezza delle direttive macchine 89/392/CEE.

Sizing Guide

The DFE is designed for general purpose applications and where a traditional Star / Delta is currently used, or would be considered to be appropriate. Generally the motor will start off load, and the time to accelerate to full speed will be in the region of a few seconds.

The standard DFE range is suitable for the majority of cases, and conforms to Trip Class5, which means it is capable of withstanding 3 times Full Load Current for 5 second starts. However there are instances where a different start is required and to satisfy this situation the DFE has four further ratings, Class 10B, Class 10, Class 20 and Class30. These ratings correspond to IEC thermal / electronic overload trip classes, and the DFE must be used with an over current protection device that has a rating corresponding to the Trip Class selected.

When using the following tables to select the most appropriate model of DFE please note

- **The DFE is not suitable for very high inertia loads such as centrifuges or loaded crushers with starts > 30 seconds (Fairford has other ranges of Soft Starter for these applications)**
- **Do not use the Class 5 rating when there is possibility of the motor starting with a significant load.**
- **2-pole motors may take longer to start, use a minimum of Trip Class 10B.**

Common applications, used as a guide to determine appropriate Trip Class.

Application	Trip Class	Start Time (s)	Notes
Standard	5	5	Suitable for Star / Delta applications with < 5 s Star time, motor starts off load
Heavy	10B	12	Suitable for Star / Delta with applications < 12 s Star time
High Torque	20	12	Requires more starting torque than a Star / Delta
Centrifugal Pump	10	10	Generally easy to start when pumping water
Positive displacement Pump	10	12	Can be difficult to start
Off load Conveyor	5	5	Unloaded at start
Heavy conveyor	20	12	Loaded at start
High inertia fan	10	23	Generally fans greater or equal to 45KW
Off load Compressor	5	5	Special circuits ensure motor starts off load
Loaded Compressor	10	12	Some compressor systems can be difficult to start
Off load Mixer	5	5	No material in basin, off load
Heavy Mixer	20	12	Material in basin

Trip Class table

le (A) 400V	Inline KW 400V	Inline HP 460V
22 A	11 KW	15 HP
29 A	15 KW	20 HP
41 A	22 KW	30 HP
55 A	30 KW	40 HP
66 A	37 KW	50 HP
80 A	45 KW	77 HP
97 A	55 KW	75 HP
132 A	75 KW	106 HP
160 A	90 KW	150 HP
195 A	110 KW	175 HP

Trip Class 5 3-5: 355 (10/Hr) (Standard)	Trip Class 10B 3.5-12: 708 (5/Hr)	Trip Class 10 3-23: 697 (5/Hr)	Trip Class 20 4-19: 701 (5/Hr)	Trip Class 30 4-29: 691 (5/Hr)
DFE-02	DFE-04	DFE-04	DFE-04	DFE-06
DFE-04	DFE-06	DFE-06	DFE-06	DFE-08
DFE-06	DFE-08	DFE-08	DFE-12	DFE-16
DFE-08	DFE-12	DFE-12	DFE-16	DFE-22
DFE-12	DFE-14	DFE-14	DFE-22	DFE-22
DFE-14	DFE-22	DFE-22	DFE-22	DFE-24
DFE-16	DFE-22	DFE-22	DFE-24	DFE-26
DFE-22	DFE-26	DFE-26	DFE-30	DFE-32
DFE-24	DFE-30	DFE-30	DFE-32	DFE-34
DFE-26	DFE-30	DFE-30	DFE-34	DFE-36

* The basic guide for the DFE-30 to DFE-38 is available as part No. M-7A87-F.

Rated Impulse withstand Voltage (Uimp)	2.5kV
Rated Insulation Voltage (Ui)	500V
Pollution Degree	2
Rated Short Circuit Current (Iq)*	10kA
Short Circuit Co-ordination*	Type 2
Ambient Temperature	0°C to 40°C. Above 40°C de-rate linearly by 2% of unit FLC per °C to a derate of 40% at 60°C
Transport and Storage	-25°C to +60°C
Altitude	1000m. Above 1000m de-rate linearly by 1% of unit FLC per 100m to a max. altitude of 2000m.
Humidity	max. 85% non-condensing, not exceeding 50% at 40°C
IP Rating	IP20 or IP00

Design Standards

IEC 60947-4-2;

EN60947-4-2 “AC Semiconductor Motor Controllers and Starters”

* When protected by recommended semiconductor fuse.

EMC EMISSION AND IMMUNITY LEVELS		
ESD immunity	IEC 61000-4-2	4kV contact. 8kV air discharge
R F immunity	IEC 61000-4-6	140dBuV over 0.15-80MHz
R F immunity	EC 61000-4-3	10V/m over 80 -1000MHz
Fast Transient immunity	IEC 61000-4-4	2kV/5kHz
Surge immunity	IEC 61000-4-5	2kV line to ground 1kV line to line
Conducted RF emissions	EN 55011	Class A
Radiated RF emissions	EN 55011	Class A

Operational Voltage (Ue) 230-460 VAC rms 3-Phase (-15% +10%)
Rated Frequency 50 - 60Hz +/- 2Hz **Form Designation** Form 1
Index Rating Standard AC53b: 3-5: 355 (10 Starts/Hr)

Control Supply 24V DC approx 4VA supplied externally to terminals X1-X2.
 Power supply kit (12VA) available as part No. AMISC0005.

Start/Soft Stop Control 24V DC/110V AC galvanically isolated terminals A1-A2

Auxiliary Circuits (relays) Run - 13/14, Ready - 23/24. 230VAC 3A, AC11.

Indication Multi function LED on front panel

Start Time 1 to 30 seconds.

Stop Times 0 to 30 seconds

Start Duty 3 x FLC for 5 seconds at standard rating

Starts / Hour 10 starts per hour or 5 starts + 5 soft stops per hour

Power Terminals Input - 1/L1, 3/L2 & 5/L3 output - 2/T1, 4/T2 6/T3.
 Up to 55kW (97Amp) Wire clamp terminals (unit is IP20)
 75kW to 110kW (132Amp to 197Amp) External busbars (unit is IP00)

Earth Terminal External stud Up to 30kW/55Amp M6
 37kW/66A to 110kW/195Amp M8

ModelName 400/460V Range	Class 5 @40°C 3 x FLC for 5seconds 10 starts per Hr		Ferraz Fuse for Type 2 coordination short circuit protection
	le (Arms)	Motor kW at 400V	
DFE-02	22A	11kW	6,9 URD 00 D08L 050
DFE-04	29A	15kW	6,9 URD 00 D08L 100
DFE-06	41A	22kW	
DFE-08	55A	30kW	6,9 URD 00 D08L 125
DFE-12	66A	37kW	
DFE-14	80A	45kW	6,9 URD 31 D08L 200
DFE-16	97A	55kW	
DFE-22	132A	75kW	6,9 URD 31 D08L 250
DFE-24	160A	90kW	6,9 URD 31 D08L 400
DFE-26	195A	110kW	

Fairford Electronics Limited, Coombe Works, Derby Road, Kingsbridge, Devon TQ7 1JL, UK

TEL: + 44 (0) 1548 857494 FAX: + 44 (0) 1548 853118

EMAIL: sales@fairford.co.uk WEB: www.fairford.co.uk

Registered No.: 1559267 England VAT No.: GB 367 2844 24