



Design Guide

VLT® Refrigeration Drive

Contents

1 How to Read this Design Guide	5
1.1.2 Approvals & Certificates	5
1.1.3 Legal Information	5
1.1.5 Symbols	5
1.1.6 Abbreviations	6
1.1.7 Definitions	6
2 Introduction	10
2.1.2 Caution	11
2.2 CE labelling	11
2.3 Air Humidity	12
2.4 Aggressive Environments	12
2.5 Vibration and shock	13
2.6 Safe Stop	13
2.8 Control Structures	20
2.8.1 Control Principle	20
2.9 General Aspects of EMC	25
2.9.1 General Aspects of EMC Emissions	25
2.9.2 Emission Requirements	26
2.9.7 Immunity Requirements	29
2.10 Galvanic isolation (PELV)	31
2.10.1 PELV - Protective Extra Low Voltage	31
2.11 Earth Leakage Current	32
2.12 Extreme Running Conditions	33
3 Drive Selection	36
3.1 Options and Accessories	36
4 How to Order	51
4.1 Ordering Form	51
4.1.1 Drive Configurator	51
4.1.2 Type Code String	51
4.2 Ordering Numbers	53
4.2.4 Ordering Numbers: dU/dt Filters	55
5 How to Install	56
5.1 Mechanical Installation	56
5.1.2 Mechanical Dimensions	57
5.1.5 Lifting	61
5.1.6 Safety Requirements of Mechanical Installation	61

5.2 Electrical Installation	62
5.2.2 Electrical Installation and Control Cables	63
5.2.5 Removal of Knockouts for Extra Cables	65
5.2.7 Gland/Conduit Entry - IP21 (NEMA 1) and IP54 (NEMA12)	66
5.3 Final Set-Up and Test	71
5.4 Additional Connections	73
5.4.2 External Fan Supply	73
5.5 Installation of Misc. Connections	75
5.6 Safety	77
5.6.1 High Voltage Test	77
5.6.2 Safety Earth Connection	77
5.7 EMC-correct Installation	77
5.7.1 Electrical Installation - EMC Precautions	77
5.7.2 Use of EMC-Correct Cables	79
6 Application Examples	82
6.1.1 Start/Stop	82
6.1.2 Pulse Start/Stop	82
6.1.3 Potentiometer Reference	83
6.1.4 Automatic Motor Adaptation (AMA)	83
6.1.5 Smart Logic Control	83
6.1.6 Smart Logic Control Programming	83
6.1.7 SLC Application Example	84
7 RS-485 Installation and Set-up	86
7.1 RS-485 Installation and Set-up	86
7.1.1 Overview	86
7.1.5 EMC Precautions	87
7.2 FC Protocol Overview	87
7.3 FC Protocol Message Framing Structure	88
7.3.1 Content of a Character (byte)	88
7.3.2 Telegram Structure	88
7.3.3 Telegram Length (LGE)	88
7.3.4 Frequency Converter Address (ADR)	88
7.3.5 Data Control Byte (BCC)	88
7.3.6 The Data Field	89
7.3.7 The PKE Field	89
7.3.9 Index (IND)	90
7.3.10 Parameter Value (PWE)	90
7.3.12 Conversion	91
7.3.13 Process Words (PCD)	91

7.4 Examples	91
7.4.1 Writing a Parameter Value	91
7.4.2 Reading a Parameter Value	92
7.5 Modbus RTU Overview	92
7.5.1 Assumptions	92
7.5.2 What the User Should Already Know	92
7.5.3 Modbus RTU Overview	92
7.5.4 Frequency Converter with Modbus RTU	93
7.5.5 Frequency Converter with Modbus RTU	93
7.6 Modbus RTU Message Framing Structure	93
7.6.1 Frequency Converter with Modbus RTU	93
7.6.2 Modbus RTU Message Structure	93
7.6.3 Start/Stop Field	94
7.6.4 Address Field	94
7.6.5 Function Field	94
7.6.6 Data Field	94
7.6.7 CRC Check Field	94
7.6.8 Coil Register Addressing	94
7.6.9 How to Control the Frequency Converter	97
7.6.10 Function Codes Supported by Modbus RTU	97
7.6.11 Modbus Exception Codes	97
7.7 How to Access Parameters	97
7.7.1 Parameter Handling	97
7.7.2 Storage of Data	97
7.7.3 IND	98
7.7.4 Text Blocks	98
7.7.5 Conversion Factor	98
7.7.6 Parameter Values	98
7.8 Examples	98
7.8.2 Force/Write Single Coil (05 HEX)	98
7.8.3 Force/Write Multiple Coils (0F HEX)	99
7.8.4 Read Holding Registers (03 HEX)	99
7.8.5 Preset Single Register (06 HEX)	100
7.8.6 Preset Multiple Registers (10 HEX)	100
7.9 FC Control Profile	101
8 General Specifications and Troubleshooting	105
8.1 General Specifications	105
8.2 Efficiency	117
8.5 Special Conditions	122
8.6 Alarm and Status Messages	123

8.6.1 Alarm Words	127
8.6.2 Warning Words	128
8.6.3 Extended Status Words	129
8.6.4 Warning/Alarm List	130
Index	133

1 How to Read this Design Guide

1.1.1 Software Version and Approvals: VLT® Refrigeration Drive FC 103

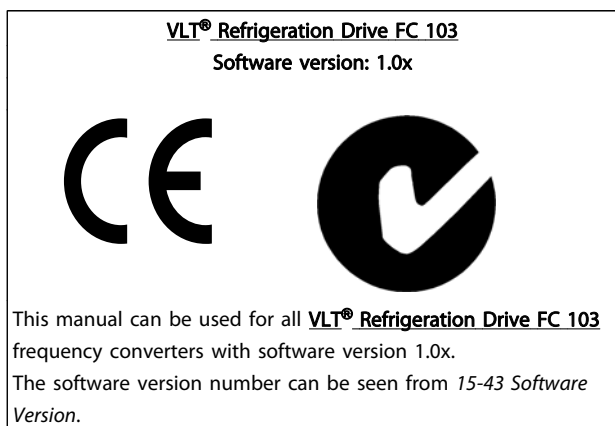


Table 1.1

1.1.2 Approvals & Certificates

The latest certificates and approvals are available on the Internet, see <http://www.danfoss.com/BusinessAreas/DrivesSolutions/Documentations/DDapprovalscertificate.htm>

1.1.3 Legal Information

This publication contains information proprietary to Danfoss. By accepting and using this manual the user agrees that the information contained herein is used solely for operating equipment from Danfoss or equipment from other vendors if such equipment is intended for communication with Danfoss equipment over a serial communication link. This publication is protected under the Copyright laws of Denmark and most other countries.

Danfoss does not warrant that a software program produced according to the guidelines provided in this manual will function properly in every physical, hardware or software environment.

Although Danfoss has tested and reviewed the documentation within this manual, Danfoss makes no warranty or representation, neither expressed nor implied, with respect to this documentation, including its quality, performance, or fitness for a particular purpose.

In no event shall Danfoss be liable for direct, indirect, special, incidental, or consequential damages arising out of the use, or the inability to use information contained in this manual, even if advised of the possibility of such

damages. In particular, Danfoss is not responsible for any costs, including but not limited to those incurred as a result of lost profits or revenue, loss or damage of equipment, loss of computer programs, loss of data, the costs to substitute these, or any claims by third parties.

Danfoss reserves the right to revise this publication at any time and to make changes to its contents without prior notice or any obligation to notify former or present users of such revisions or changes.

1.1.4 Available literature for VLT® Refrigeration Drive FC 103

- VLT® Refrigeration Drive Operating Instructions 1.1-90 kW, MG16E provide the necessary information for getting the frequency converter up and running.
- VLT® Refrigeration Drive Operating Instructions 110-250 kW, MG16F
- VLT® Refrigeration Drive Design Guide, MG16G entails all technical information about the frequency converter and customer design and applications.
- VLT® Refrigeration Drive Programming Guide, MG16H provides information on how to programme and includes complete parameter descriptions.

Danfoss technical literature is available in print from local Danfoss Sales Offices or online at: <http://www.danfoss.com/BusinessAreas/DrivesSolutions/Documentations/Technical+Documentation.htm>

1.1.5 Symbols

The following symbols are used in this manual.



Indicates a potentially hazardous situation which, if not avoided, could result in death or serious injury.



Indicates a potentially hazardous situation which, if not avoided, may result in minor or moderate injury. It may also be used to alert against unsafe practices.

CAUTION

Indicates a situation that may result in equipment or property-damage-only accidents.

NOTE

Indicates highlighted information that should be regarded with attention to avoid mistakes or operate equipment at less than optimal performance.

* Indicates default setting

Table 1.2

1.1.6 Abbreviations

Alternating current	AC
American wire gauge	AWG
Ampere/AMP	A
Automatic Motor Adaptation	AMA
Current limit	I_{LIM}
Degrees Celsius	°C
Direct current	DC
Drive Dependent	D-TYPE
Electro Magnetic Compatibility	EMC
Electronic Thermal Relay	ETR
Frequency converter	FC
Gram	g
Hertz	Hz
Horsepower	hp
Kilohertz	kHz
Local Control Panel	LCP
Meter	m
Millihenry Inductance	mH
Milliampere	mA
Millisecond	ms
Minute	min
Motion Control Tool	MCT
Nanofarad	nF
Newton Meters	Nm
Nominal motor current	$I_{M,N}$
Nominal motor frequency	$f_{M,N}$
Nominal motor power	$P_{M,N}$
Nominal motor voltage	$U_{M,N}$
Permanent Magnet motor	PM motor
Protective Extra Low Voltage	PELV
Printed Circuit Board	PCB
Rated Inverter Output Current	I_{INV}
Revolutions Per Minute	RPM
Regenerative terminals	Regen
Second	s
Synchronous Motor Speed	n_s
Torque limit	T_{LIM}
Volts	V
The maximum output current	$I_{VLT,MAX}$
The rated output current supplied by the frequency converter	$I_{VLT,N}$

Table 1.3

1.1.7 Definitions

Drive:

$I_{DRIVE,MAX}$

The maximum output current.

$I_{DRIVE,N}$

The rated output current supplied by the frequency converter.

$U_{DRIVE,MAX}$

The maximum output voltage.

Input:

Control command Start and stop the connected motor with the LCP or the digital inputs. Functions are divided into two groups. Functions in group 1 have higher priority than functions in group 2.	Group 1	Reset, Coasting stop, Reset and Coasting stop, Quick-stop, DC braking, Stop and the "Off" key.
	Group 2	Start, Pulse start, Reversing, Start reversing, Jog and Freeze output

Table 1.4

Motor:

f_{JOG}

The motor frequency when the jog function is activated (via digital terminals).

f_M

The motor frequency.

f_{MAX}

The maximum motor frequency.

f_{MIN}

The minimum motor frequency.

$f_{M,N}$

The rated motor frequency (nameplate data).

I_M

The motor current.

$I_{M,N}$

The rated motor current (nameplate data).

$n_{M,N}$

The rated motor speed (nameplate data).

$P_{M,N}$

The rated motor power (nameplate data).

$T_{M,N}$

The rated torque (motor).

U_M

The instantaneous motor voltage.

$U_{M,N}$

The rated motor voltage (nameplate data).

Break-away torque

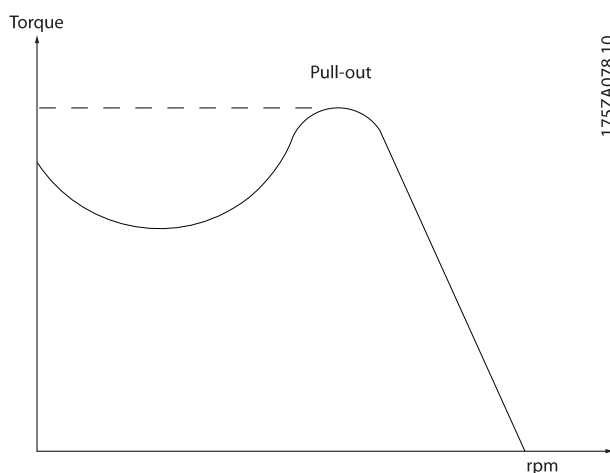


Illustration 1.1

η_{DRIVE}

The efficiency of the frequency converter is defined as the ratio between the power output and the power input.

Start-disable command

A stop command belonging to the group 1 control commands - see this group.

Stop command

See Control commands.

References:

Analog Reference

A signal transmitted to the analog inputs 53 or 54, can be voltage or current.

Bus Reference

A signal transmitted to the serial communication port (drive port).

Preset Reference

A defined preset reference to be set from -100% to +100% of the reference range. Selection of eight preset references via the digital terminals.

Pulse Reference

A pulse frequency signal transmitted to the digital inputs (terminal 29 or 33).

Ref_{MAX}

Determines the relationship between the reference input at 100% full scale value (typically 10 V, 20mA) and the resulting reference. The maximum reference value set in 3-03 *Maximum Reference*.

Ref_{MIN}

Determines the relationship between the reference input at 0% value (typically 0V, 0mA, 4mA) and the resulting reference. The minimum reference value set in 3-02 *Minimum Reference*

Miscellaneous:

Analog Inputs

The analog inputs are used for controlling various functions of the frequency converter. There are two types of analog inputs: Current input, 0-20 mA and 4-20 mA Voltage input, 0-10 V DC.

Analog Outputs

The analog outputs can supply a signal of 0-20 mA, 4-20 mA, or a digital signal.

Automatic Motor Adaptation, AMA

AMA algorithm determines the electrical parameters for the connected motor at standstill.

CT Characteristics

Constant torque characteristics used for screw and scroll refrigeration compressors.

Digital Inputs

The digital inputs can be used for controlling various functions of the frequency converter.

Digital Outputs

The frequency converter features two Solid State outputs that can supply a 24 V DC (max. 40 mA) signal.

DSP

Digital Signal Processor.

Relay Outputs:

The frequency converter features two programmable Relay Outputs.

ETR

Electronic Thermal Relay is a thermal load calculation based on present load and time. Its purpose is to estimate the motor temperature.

Initialising

If initialising is carried out (*14-22 Operation Mode*), the programmable parameters of the frequency converter return to their default settings.

Intermittent Duty Cycle

An intermittent duty rating refers to a sequence of duty cycles. Each cycle consists of an on-load and an off-load period. The operation can be either periodic duty or non-periodic duty.

LCP

The Local Control Panel (LCP) keypad makes up a complete interface for control and programming of the frequency converter. The control panel keypad is detachable and can be installed up to 3 metres from the frequency converter, i.e. in a front panel by means of the installation kit option.

lsb

Least significant bit.

MCM

Short for Mille Circular Mil, an American measuring unit for cable cross-section. $1 \text{ MCM} \equiv 0.5067 \text{ mm}^2$.

msb

Most significant bit.

On-line/Off-line Parameters

Changes to on-line parameters are activated immediately after the data value is changed. Changes to off-line parameters are not activated until you enter [OK] on the LCP.

PID Controller

The PID controller maintains the desired speed, pressure, temperature, etc. by adjusting the output frequency to match the varying load.

RCD

Residual Current Device.

Set-up

You can save parameter settings in four Set-ups. Change between the four parameter Set-ups and edit one Set-up, while another Set-up is active.

SFAVM

Switching pattern called Stator Flux oriented Aynchronous Vector Modulation (*14-00 Switching Pattern*).

Slip Compensation

The frequency converter compensates for the motor slip by giving the frequency a supplement that follows the measured motor load keeping the motor speed almost constant.

Smart Logic Control (SLC)

The SLC is a sequence of user defined actions executed when the associated user defined events are evaluated as true by the SLC.

Thermistor:

A temperature-dependent resistor placed where the temperature is to be monitored (frequency converter or motor).

Trip

A state entered in fault situations, e.g. if the frequency converter is subject to an over-temperature or when the frequency converter is protecting the motor, process or mechanism. Restart is prevented until the cause of the fault has disappeared and the trip state is cancelled by activating reset or, in some cases, by being programmed to reset automatically. Trip may not be used for personal safety.

Trip Locked

A state entered in fault situations when the frequency converter is protecting itself and requiring physical intervention, e.g. if the frequency converter is subject to a short circuit on the output. A locked trip can only be cancelled by cutting off mains, removing the cause of the

fault, and reconnecting the frequency converter. Restart is prevented until the trip state is cancelled by activating reset or, in some cases, by being programmed to reset automatically. Trip locked may not be used for personal safety.

V_T Characteristics

Variable torque characteristics used for pumps and fans.

VVC^{plus}

If compared with standard voltage/frequency ratio control, Voltage Vector Control (VVC^{plus}) improves the dynamics and the stability, both when the speed reference is changed and in relation to the load torque.

60° AVM

Switching pattern called 60° Asynchronous Vector Modulation (See 14-00 *Switching Pattern*).

1.1.8 Power Factor

The power factor is the relation between I_1 and I_{RMS} .

$$\text{Power factor} = \frac{\sqrt{3} \times U \times I_1 \times \cos\varphi}{\sqrt{3} \times U \times I_{RMS}}$$

The power factor for 3-phase control:

$$= \frac{I_1 \times \cos\varphi}{I_{RMS}} = \frac{I_1}{I_{RMS}} \text{ since } \cos\varphi = 1$$

The power factor indicates to which extent the frequency converter imposes a load on the mains supply.

The lower the power factor, the higher the I_{RMS} for the same kW performance.

$$I_{RMS} = \sqrt{I_1^2 + I_5^2 + I_7^2 + \dots + I_n^2}$$

In addition, a high power factor indicates that the different harmonic currents are low.

The frequency converters' built-in DC coils produce a high power factor, which minimizes the imposed load on the mains supply.

2

2 Introduction

2.1 Safety

2.1.1 Safety Note

⚠ WARNING

The voltage of the frequency converter is dangerous whenever connected to mains. Incorrect installation of the motor, frequency converter or fieldbus may cause death, serious personal injury or damage to the equipment. Consequently, the instructions in this manual, as well as national and local rules and safety regulations, must be complied with.

Safety Regulations

1. The frequency converter must be disconnected from mains if repair work is to be carried out. Check that the mains supply has been disconnected and that the necessary time has passed before removing motor and mains plugs.
2. The [Stop/Reset] key on the LCP of the frequency converter does not disconnect the equipment from mains and is thus not to be used as a safety switch.
3. Correct protective earthing of the equipment must be established, the user must be protected against supply voltage, and the motor must be protected against overload in accordance with applicable national and local regulations.
4. The earth leakage currents are higher than 3.5 mA.
5. Protection against motor overload is set by *1-90 Motor Thermal Protection*. If this function is desired, set *1-90 Motor Thermal Protection* to data value [ETR trip] (default value) or data value [ETR warning]. Note: The function is initialised at 1.16 x rated motor current and rated motor frequency. For the North American market: The ETR functions provide class 20 motor overload protection in accordance with NEC.
6. Do not remove the plugs for the motor and mains supply while the frequency converter is connected to mains. Check that the mains supply has been disconnected and that the necessary time has passed before removing motor and mains plugs.
7. Note that the frequency converter has more voltage inputs than L1, L2 and L3, when load sharing (linking of DC intermediate circuit) and

external 24 V DC have been installed. Check that all voltage inputs have been disconnected and that the necessary time has passed before commencing repair work.

Installation at high altitudes

⚠ CAUTION

380-480 V, enclosure A, B and C: At altitudes above 2 km, contact Danfoss regarding PELV.

380-480 V, enclosure D: At altitudes above 3 km, contact Danfoss regarding PELV.

525-690 V: At altitudes above 2 km, contact Danfoss regarding PELV.

⚠ WARNING

Warning against Unintended Start

1. The motor can be brought to a stop by means of digital commands, bus commands, references or a local stop, while the frequency converter is connected to mains. If personal safety considerations make it necessary to ensure that no unintended start occurs, these stop functions are not sufficient.
2. While parameters are being changed, the motor may start. Consequently, the [Stop/Reset] key must always be activated; following which data can be modified.
3. A motor that has been stopped may start if faults occur in the electronics of the frequency converter, or if a temporary overload or a fault in the supply mains or the motor connection ceases.

⚠ WARNING

Touching the electrical parts may be fatal - even after the equipment has been disconnected from mains.

Also make sure that other voltage inputs have been disconnected, such as external 24 V DC, load sharing (linkage of DC intermediate circuit), as well as the motor connection for kinetic back up. Refer to the Operating Instructions for further safety guidelines.

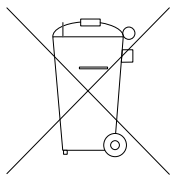
2.1.2 Caution

⚠ CAUTION

The frequency converter DC link capacitors remain charged after power has been disconnected. To avoid an electrical shock hazard, disconnect the frequency converter from the mains before carrying out maintenance. Wait at least as follows before doing service on the frequency converter:

Voltage (V)	Minimum waiting time (minutes)		
	4	15	20
200-240	1.1-3.7 kW	5.5-37 kW	
380-480	1.1-7.5 kW	11-75 kW	110-250 kW
525-600	1.1-7.5 kW	11-75 kW	
High voltage may be present even when the warning LEDs are off!			

Table 2.1 Discharge Time



Equipment containing electrical components may not be disposed of together with domestic waste. It must be separately collected with electrical and electronic waste according to local and currently valid legislation.

Table 2.2

2.2 CE labelling

2.2.1 CE Conformity and Labelling

What is CE Conformity and Labelling?

The purpose of CE labelling is to avoid technical trade obstacles within EFTA and the EU. The EU has introduced the CE label as a simple way of showing whether a product complies with the relevant EU directives. The CE label says nothing about the specifications or quality of the product. Frequency converters are regulated by three EU directives:

The machinery directive (2006/42/EC)

Frequency converters with integrated safety function are now falling under the Machinery Directive. Danfoss CE-labels in accordance with the directive and issues a declaration of conformity upon request. Frequency converters without safety function do not fall under the machinery directive. However, if a frequency converter is supplied for use in a machine, we provide information on safety aspects relating to the frequency converter.

The low-voltage directive (2006/95/EC)

Frequency converters must be CE labelled in accordance with the low-voltage directive of January 1, 1997. The directive applies to all electrical equipment and appliances used in the 50 - 1000 V AC and the 75 - 1500 V DC voltage

ranges. Danfoss CE-labels in accordance with the directive and issues a declaration of conformity upon request.

The EMC directive (2004/108/EC)

EMC is short for electromagnetic compatibility. The presence of electromagnetic compatibility means that the mutual interference between different components/appliances does not affect the way the appliances work. The EMC directive came into effect January 1, 1996. Danfoss CE-labels in accordance with the directive and issues a declaration of conformity upon request. To carry out EMC-correct installation, see the instructions in this Design Guide. In addition, we specify which standards our products comply with. We offer the filters presented in the specifications and provide other types of assistance to ensure the optimum EMC result.

The frequency converter is most often used by professionals of the trade as a complex component forming part of a larger appliance, system or installation. It must be noted that the responsibility for the final EMC properties of the appliance, system or installation rests with the installer.

2.2.2 What Is Covered

The EU "Guidelines on the Application of Council Directive 2004/108/EC" outline three typical situations of using a frequency converter. See below for EMC coverage and CE labelling.

1. The frequency converter is sold directly to the end-consumer. The frequency converter is for example sold to a DIY market. The end-consumer is a layman. He installs the frequency converter himself for use with a hobby machine, a kitchen appliance, etc. For such applications, the frequency converter must be CE labelled in accordance with the EMC directive.
2. The frequency converter is sold for installation in a plant. The plant is built up by professionals of the trade. It could be a production plant or a heating/ventilation plant designed and installed by professionals of the trade. Neither the frequency converter nor the finished plant has to be CE labelled under the EMC directive. However, the unit must comply with the basic EMC requirements of the directive. This is ensured by using components, appliances, and systems that are CE labelled under the EMC directive.
3. The frequency converter is sold as part of a complete system. The system is being marketed as complete and could e.g. be an air-conditioning system. The complete system must be CE labelled in accordance with the EMC directive. The manufacturer can ensure CE labelling under the EMC directive either by using CE labelled

components or by testing the EMC of the system. If he chooses to use only CE labelled components, he does not have to test the entire system.

2.2.3 Danfoss Frequency Converter and CE Labelling

CE labelling is a positive feature when used for its original purpose, i.e. to facilitate trade within the EU and EFTA.

However, CE labelling may cover many different specifications. Thus, you have to check what a given CE label specifically covers.

The covered specifications can be very different and a CE label may therefore give the installer a false feeling of security when using a frequency converter as a component in a system or an appliance.

Danfoss CE labels the frequency converters in accordance with the low-voltage directive. This means that if the frequency converter is installed correctly, we guarantee compliance with the low-voltage directive. Danfoss issues a declaration of conformity that confirms our CE labelling in accordance with the low-voltage directive.

The CE label also applies to the EMC directive provided that the instructions for EMC-correct installation and filtering are followed. On this basis, a declaration of conformity in accordance with the EMC directive is issued.

The Design Guide offers detailed instructions for installation to ensure EMC-correct installation. Furthermore, Danfoss specifies which our different products comply with.

Danfoss provides other types of assistance that can help you obtain the best EMC result.

2.2.4 Compliance with EMC Directive 2004/108/EC

As mentioned, the frequency converter is mostly used by professionals of the trade as a complex component forming part of a larger appliance, system, or installation. It must be noted that the responsibility for the final EMC properties of the appliance, system or installation rests with the installer. As an aid to the installer, Danfoss has prepared EMC installation guidelines for the Power Drive system. The standards and test levels stated for Power Drive systems are complied with, provided that the EMC-correct instructions for installation are followed, see *Table 2.14*.

2.3 Air Humidity

The frequency converter has been designed to meet the IEC/EN 60068-2-3 standard, EN 50178 pkt. 9.4.2.2 at 50 °C.

2.4 Aggressive Environments

A frequency converter contains a large number of mechanical and electronic components. All are to some extent vulnerable to environmental effects.

CAUTION

The frequency converter should not be installed in environments with airborne liquids, particles, or gases capable of affecting and damaging the electronic components. Failure to take the necessary protective measures increases the risk of stoppages, thus reducing the life of the frequency converter.

Degree of protection as per IEC 60529

The safe Stop function may only be installed and operated in a control cabinet with degree of protection IP54 or higher (or equivalent environment). This is required to avoid cross faults and short circuits between terminals, connectors, tracks and safety-related circuitry caused by foreign objects.

Liquids can be carried through the air and condense in the frequency converter and may cause corrosion of components and metal parts. Steam, oil, and salt water may cause corrosion of components and metal parts. In such environments, use equipment with enclosure rating IP 54/55. As an extra protection, coated printed circuit boards can be ordered as an option.

Airborne Particles such as dust may cause mechanical, electrical, or thermal failure in the frequency converter. A typical indicator of excessive levels of airborne particles is dust particles around the frequency converter fan. In very dusty environments, use equipment with enclosure rating IP 54/55 or a cabinet for IP 00/IP 20/TYPE 1 equipment.

In environments with high temperatures and humidity, corrosive gases such as sulphur, nitrogen, and chlorine compounds will cause chemical processes on the frequency converter components.

Such chemical reactions will rapidly affect and damage the electronic components. In such environments, mount the equipment in a cabinet with fresh air ventilation, keeping aggressive gases away from the frequency converter. An extra protection in such areas is a coating of the printed circuit boards, which can be ordered as an option.

NOTE

Mounting frequency converters in aggressive environments increases the risk of stoppages and considerably reduces the life of the converter.

Before installing the frequency converter, check the ambient air for liquids, particles, and gases. This is done by observing existing installations in this environment. Typical indicators of harmful airborne liquids are water or oil on metal parts, or corrosion of metal parts.

Excessive dust particle levels are often found on installation cabinets and existing electrical installations. One indicator of aggressive airborne gases is blackening of copper rails and cable ends on existing installations.

D and E enclosures have a stainless steel back-channel option to provide additional protection in aggressive environments. Proper ventilation is still required for the internal components of the drive. Contact Danfoss for additional information.

2.5 Vibration and shock

The frequency converter has been tested according to the procedure based on the shown standards:

The frequency converter complies with requirements that exist for units mounted on the walls and floors of production premises, as well as in panels bolted to walls or floors.

- IEC/EN 60068-2-6: Vibration (sinusoidal) - 1970
- IEC/EN 60068-2-64: Vibration, broad-band random

2.6 Safe Stop

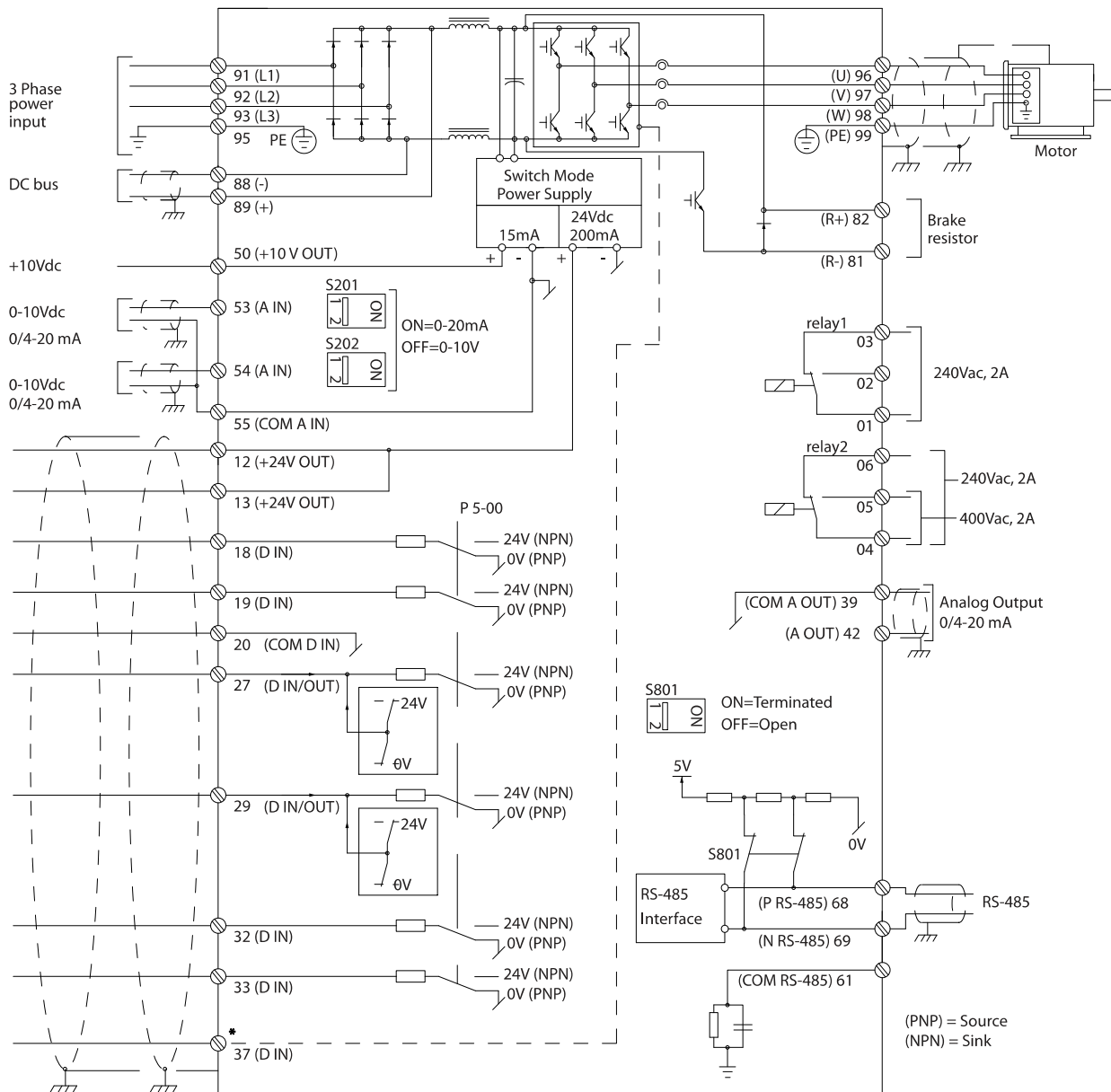
2.6.1 Electrical Terminals

The frequency converter can perform the safety function *Safe Torque Off* (As defined by draft CD IEC 61800-5-2) or *Stop Category 0* (as defined in EN 60204-1).

It is designed and approved suitable for the requirements of Safety Category 3 in EN 954-1. This functionality is called Safe Stop. Prior to integration and use of Safe Stop in an installation, a thorough risk analysis on the installation must be carried out in order to determine whether the Safe Stop functionality and safety category are appropriate and sufficient.

⚠ WARNING

In order to install and use the Safe Stop function in accordance with the requirements of Safety Category 3 in EN 954-1, the related information and instructions of the relevant Design Guide must be followed! The information and instructions of the Operating Instructions are not sufficient for a correct and safe use of the Safe Stop functionality!



130BA544:12

Illustration 2.1 Diagram Showing all Electrical Terminals. (Terminal 37 Present for Units with Safe Stop Function Only.)

2.6.2 Safe Stop Installation

To carry out an installation of a Category 0 Stop (EN60204) in conformity with Safety Category 3 (EN954-1), follow these instructions:

1. The bridge (jumper) between Terminal 37 and 24 V DC must be removed. Cutting or breaking the jumper is not sufficient. Remove it entirely to avoid short-circuiting. See jumper in *Illustration 2.2*.
2. Connect terminal 37 to 24 V DC by a short-circuit protected cable. The 24 V DC voltage supply must be interruptible by an EN954-1 Category 3 circuit interrupt device. If the interrupt device and the frequency converter are placed in the same installation panel, use an unscreened cable instead of a screened one.

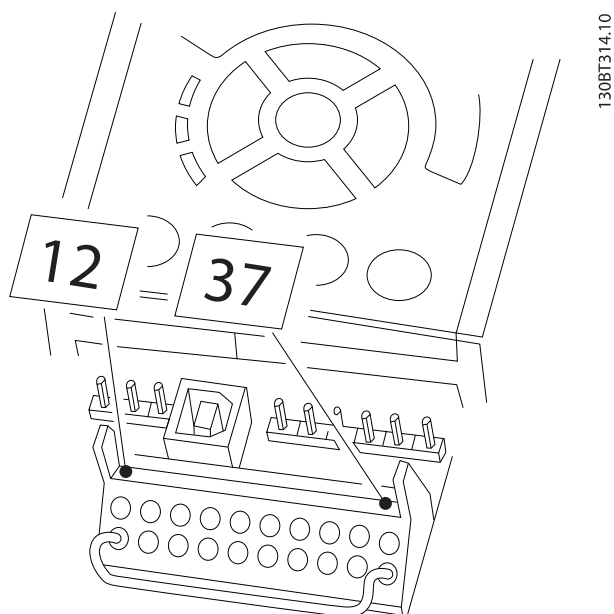


Illustration 2.2 Bridge Jumper between Terminal 37 and 24 V DC

Illustration 2.3 shows a Stopping Category 0 (EN 60204-1) with safety Category 3 (EN 954-1). The circuit interrupt is caused by an opening door contact. The illustration also shows how to connect a non-safety related hardware coast.

2

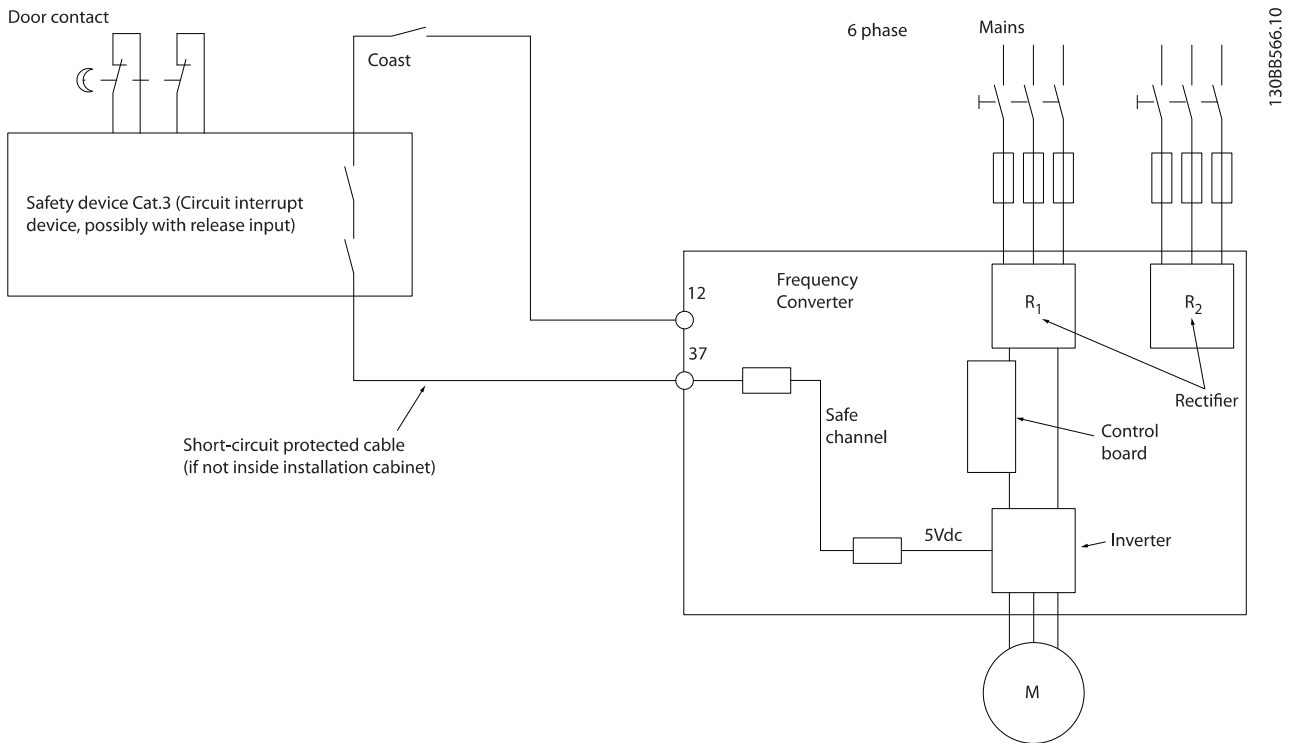


Illustration 2.3 Essential Aspects of an Installation to Achieve a Stopping Category 0 (EN 60204-1) with Safety Category 3 (EN 954-1).

2.7 Advantages

2.7.1 Why use a Frequency Converter for Controlling Fans and Pumps?

A frequency converter takes advantage of the fact that centrifugal fans and pumps follow the laws of proportionality for such fans and pumps. For further information see the text and figure *The Laws of Proportionality*.

2.7.2 The Clear Advantage - Energy Savings

The very clear advantage of using a frequency converter for controlling the speed of fans or pumps lies in the electricity savings. When comparing with alternative control systems and technologies, a frequency converter is the optimum energy control system for controlling fan and pump systems.

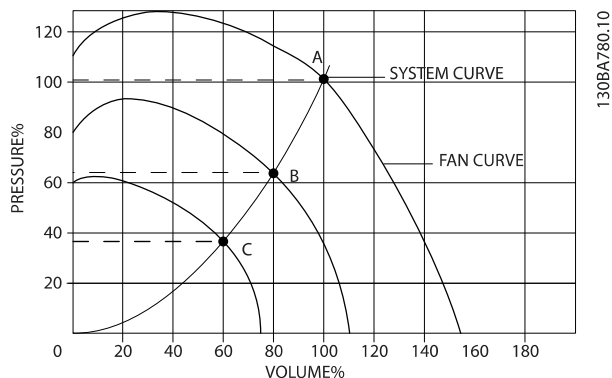


Illustration 2.4 The Graph is Showing Fan Curves (A, B and C) for Reduced Fan Volumes.

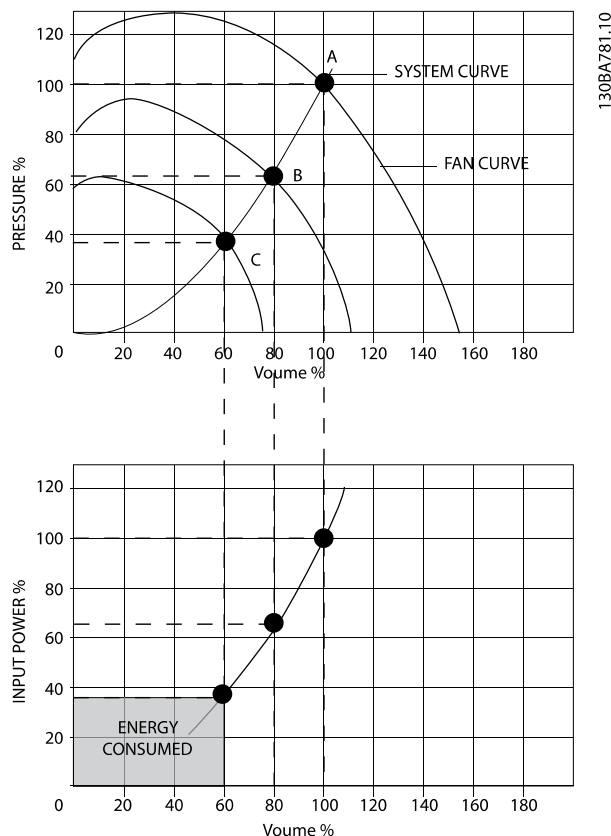


Illustration 2.5 When Using a Frequency Converter to Reduce Fan Capacity to 60% - More Than 50% Energy Savings May Be Obtained in Typical Applications.

2.7.3 Example of Energy Savings

As can be seen from the figure (the laws of proportionality), the flow is controlled by changing the RPM. By reducing the speed only 20% from the rated speed, the flow is also reduced by 20%. This is because the flow is directly proportional to the RPM. The consumption of electricity, however, is reduced by 50%.

If the system in question only needs to be able to supply a flow that corresponds to 100% a few days in a year, while the average is below 80% of the rated flow for the remainder of the year, the amount of energy saved is even more than 50%.

The laws of proportionality	
<i>Illustration 2.6</i> describes the dependence of flow, pressure and power consumption on RPM.	
Q = Flow	P = Power
Q ₁ = Rated flow	P ₁ = Rated power
Q ₂ = Reduced flow	P ₂ = Reduced power
H = Pressure	n = Speed regulation
H ₁ = Rated pressure	n ₁ = Rated speed
H ₂ = Reduced pressure	n ₂ = Reduced speed

Table 2.3

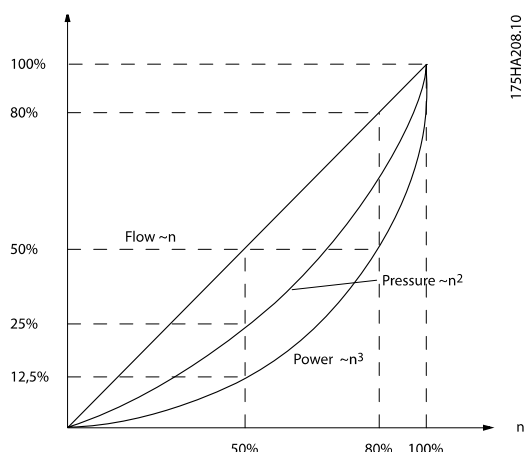


Illustration 2.6

$$\text{Flow} : \frac{Q_1}{Q_2} = \frac{n_1}{n_2}$$

$$\text{Pressure} : \frac{H_1}{H_2} = \left(\frac{n_1}{n_2}\right)^2$$

$$\text{Power} : \frac{P_1}{P_2} = \left(\frac{n_1}{n_2}\right)^3$$

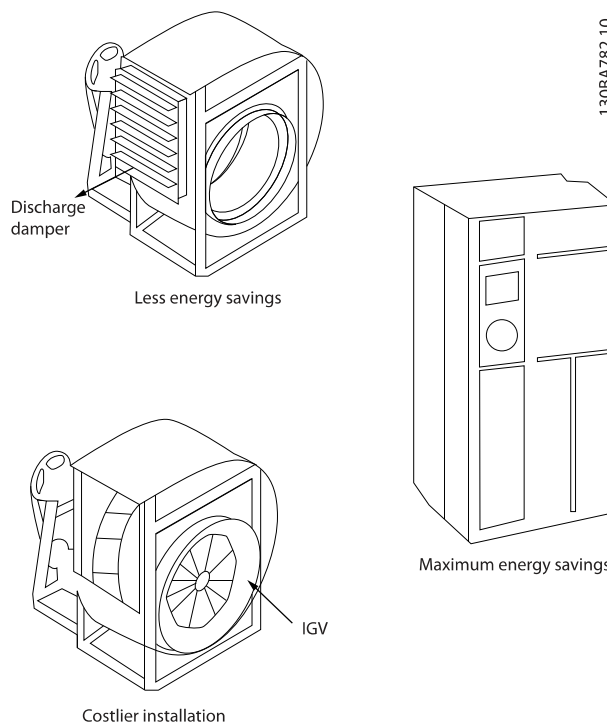


Illustration 2.7 The Three Common Energy Saving Systems.

2.7.4 Comparison of Energy Savings

The Danfoss frequency converter solution offers major savings compared with traditional energy saving solutions. This is because the frequency converter is able to control fan speed according to thermal load on the system and the fact that the frequency converter has a build-in facility that enables the frequency converter to function as a Building Management System, BMS.

The graph (Illustration 2.8) shows typical energy savings obtainable with 3 well-known solutions when fan volume is reduced to i.e. 60%. As the graph shows, more than 50% energy savings can be achieved in typical applications.

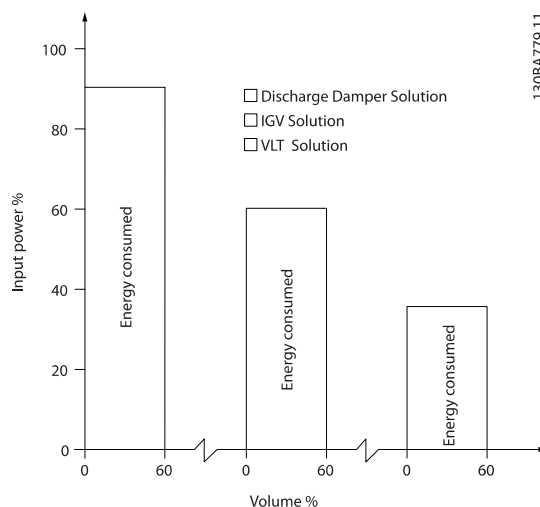


Illustration 2.8 Discharge dampers reduce power consumption somewhat. Inlet Guide Vans offer a 40% reduction but are expensive to install. The Danfoss frequency converter solution reduces energy consumption with more than 50% and is easy to install.

2.7.5 Example with Varying Flow over 1 Year

The example below is calculated on the basis of pump characteristics obtained from a pump datasheet. The result obtained shows energy savings in excess of 50% at the given flow distribution over a year. The pay back period depends on the price per kWh and price of

frequency converter. In this example it is less than a year when compared with valves and constant speed.

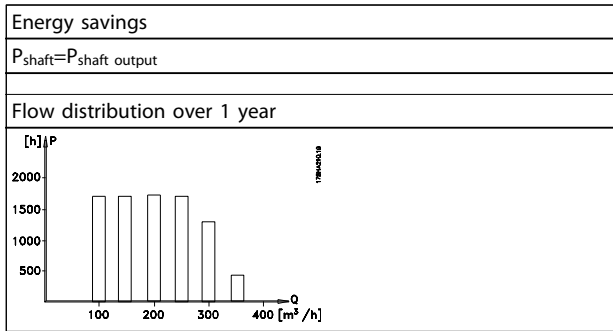


Table 2.4

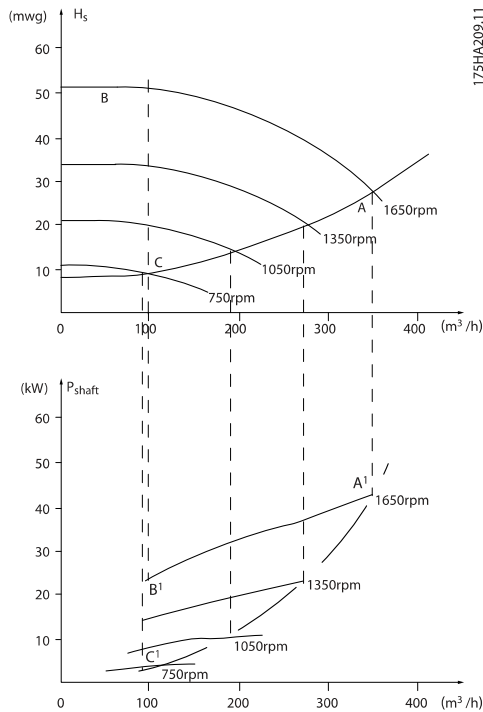


Illustration 2.9

m³/h	Distri- bution		Valve regulation		Frequency converter control	
	%	Hours	Power	Consumpti on	Power	Consumptio n
			A₁ - B₁	kWh	A₁ - C₁	kWh
350	5	438	42,5	18.615	42,5	18.615
300	15	1314	38,5	50.589	29,0	38.106
250	20	1752	35,0	61.320	18,5	32.412
200	20	1752	31,5	55.188	11,5	20.148
150	20	1752	28,0	49.056	6,5	11.388
100	20	1752	23,0	40.296	3,5	6.132
Σ	100	8760		275.064		26.801

Table 2.5

2.7.6 Better Control

If a frequency converter is used for controlling the flow or pressure of a system, improved control is obtained. A frequency converter can vary the speed of the fan or pump, thereby obtaining variable control of flow and pressure.

Furthermore, a frequency converter can quickly adapt the speed of the fan or pump to new flow or pressure conditions in the system.

Simple control of process (Flow, Level or Pressure) utilizing the built in PID control.

2.7.7 Cos φ Compensation

Generally speaking, the VLT® Refrigeration Drive FCR 103 has a cos φ of 1 and provides power factor correction for the cos φ of the motor, which means that there is no need to make allowance for the cos φ of the motor when sizing the power factor correction unit.

2.7.8 Star/Delta Starter or Soft-starter not Required

When larger motors are started, it is necessary in many countries to use equipment that limits the start-up current. In more traditional systems, a star/delta starter or soft-starter is widely used. Such motor starters are not required if a frequency converter is used.

As illustrated in the figure below, a frequency converter does not consume more than rated current.

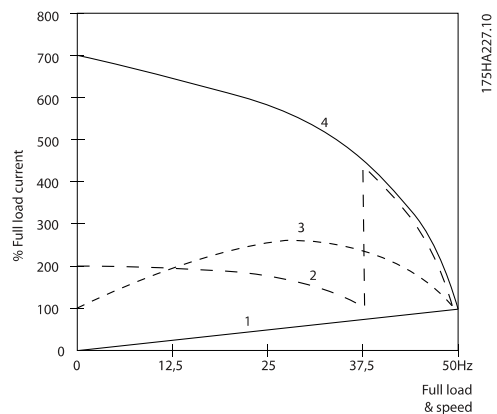


Illustration 2.10

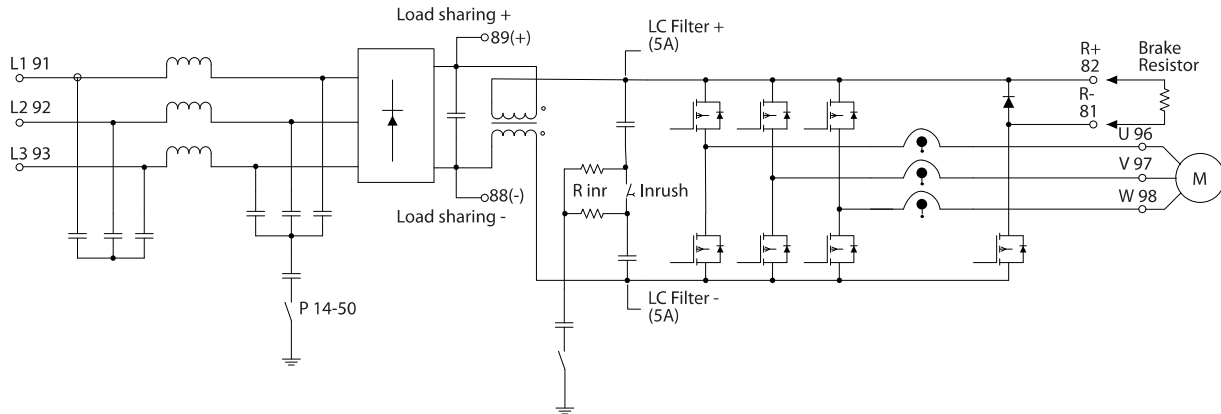
1 = VLT® Refrigeration Drive FCR 103
2 = Star/delta starter
3 = Soft-starter
4 = Start directly on mains

Table 2.6

2.8 Control Structures

2.8.1 Control Principle

2



130BA193.13

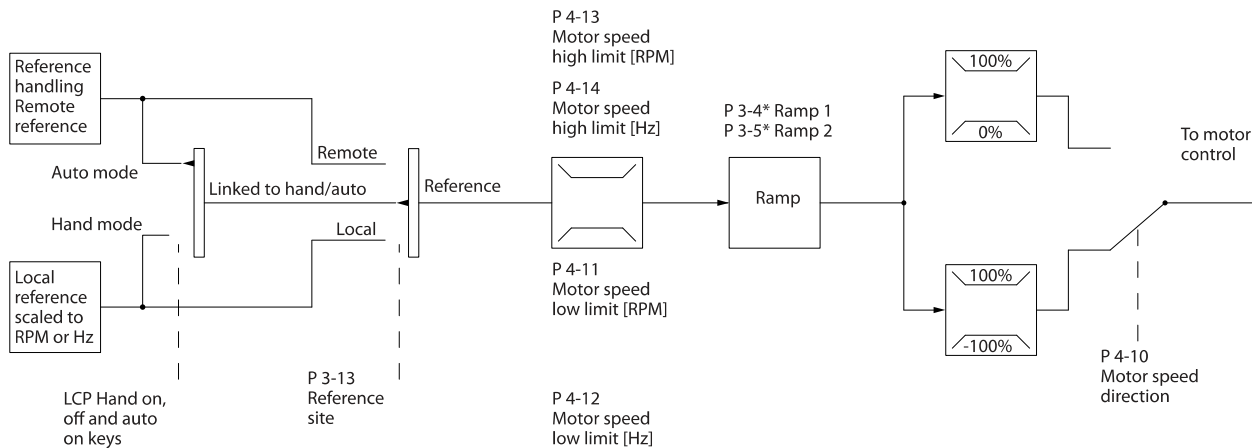
Illustration 2.11 Control Structures

The frequency converter is a high performance unit for demanding applications. It can handle various kinds of motor control principles such as VVC^{plus} and can handle normal squirrel cage asynchronous motors.

Short circuit behavior on this frequency converter depends on the 3 current transducers in the motor phases.

In 1-00 Configuration Mode it can be selected if open or closed loop is to be used

2.8.2 Control Structure Open Loop



130BB153.10

Illustration 2.12 Open Loop Structure

In the configuration shown in *Illustration 2.12*, 1-00 Configuration Mode is set to [0] Open loop. The resulting reference from the reference handling system or the local reference is received and fed through the ramp limitation and speed limitation before being sent to the motor control. The output from the motor control is then limited by the maximum frequency limit.

2.8.3 Local (Hand On) and Remote (Auto On) Control

The frequency converter can be operated manually via the local control panel (LCP) or remotely via analog/digital inputs or serial bus.

If allowed in 0-40 [Hand on] Key on LCP, 0-41 [Off] Key on LCP, 0-42 [Auto on] Key on LCP, and 0-43 [Reset] Key on LCP, it is possible to start and stop the frequency converter by LCP using the [Hand On] and [Off] keys. Alarms can be reset via the [Reset] key. After pressing the [Hand On] key,

the frequency converter goes into Hand Mode and follows (as default) the Local reference set by using [▲] and [▼].

After pressing the [Auto On] key, the frequency converter goes into Auto mode and follows (as default) the Remote reference. In this mode, it is possible to control the frequency converter via the digital inputs and various serial interfaces (RS-485, USB, or an optional fieldbus). See more about starting, stopping, changing ramps and parameter set-ups etc. in parameter group 5-1* (digital inputs) or parameter group 8-5* (serial communication).

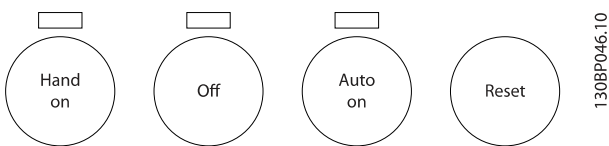


Illustration 2.13

Hand Off Auto LCP Keys	Reference Site 3-13 Reference Site	Active Reference
Hand	Linked to Hand/ Auto	Local
Hand ⇒ Off	Linked to Hand/ Auto	Local
Auto	Linked to Hand/ Auto	Remote
Auto ⇒ Off	Linked to Hand/ Auto	Remote
All keys	Local	Local
All keys	Remote	Remote

Table 2.7 Conditions for Either Local or Remote Reference

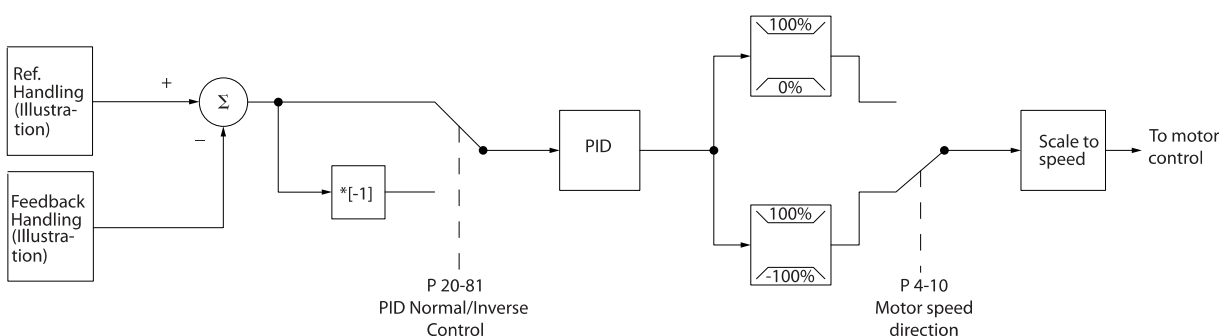


Illustration 2.14 Block Diagram of Closed Loop Controller

While the default values for the frequency converter's Closed Loop controller will often provide satisfactory performance, the control of the system can often be optimized by adjusting some of the Closed Loop

Table 2.7 shows under which conditions either the Local Reference or the Remote Reference is active. One of them is always active, but both can not be active at the same time.

Local reference will force the configuration mode to open loop, independent on the setting of 1-00 Configuration Mode.

Local Reference will be restored at power-down.

2.8.4 Control Structure Closed Loop

The internal controller allows the frequency converter to become an integral part of the controlled system. The receives a feedback signal from a sensor in the system. It then compares this feedback to a set-point reference value and determines the error, if any, between these two signals. It then adjusts the speed of the motor to correct this error.

For example, consider a pump application where the speed of a pump is to be controlled so that the static pressure in a pipe is constant. The desired static pressure value is supplied to the frequency converter as the set-point reference. A static pressure sensor measures the actual static pressure in the pipe and supplies this to the frequency converter as a feedback signal. If the feedback signal is greater than the set-point reference, the frequency converter slows down to reduce the pressure. In a similar way, if the pipe pressure is lower than the set-point reference, the frequency converter automatically speeds up to increase the pressure provided by the pump.

controller's parameters. It is also possible to autotune the PI constants.

2.8.5 Feedback Handling

2

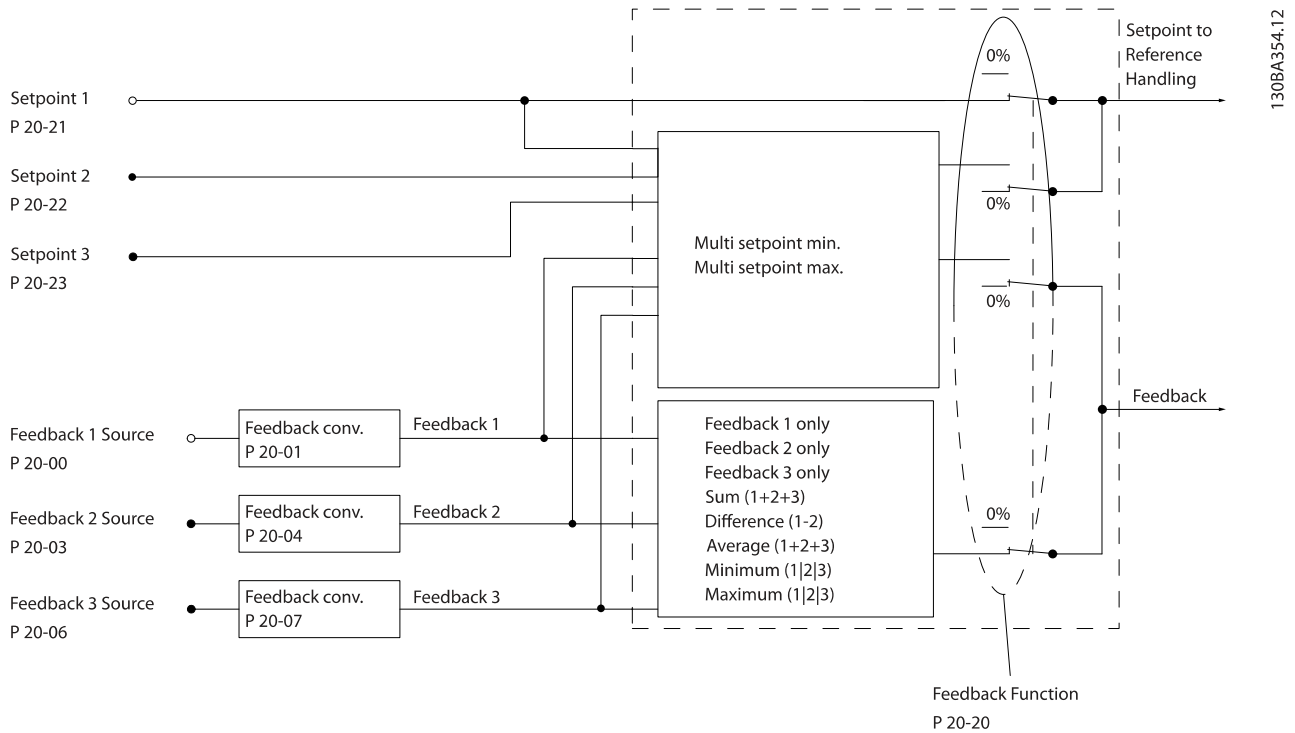


Illustration 2.15 Block Diagram of Feedback Signal Processing

Feedback handling can be configured to work with applications requiring advanced control, such as multiple setpoints and multiple feedbacks. Three types of control are common.

Single Zone, Single Setpoint

Single Zone Single Setpoint is a basic configuration. Setpoint 1 is added to any other reference (if any, see Reference Handling) and the feedback signal is selected using 20-20 Feedback Function.

Multi Zone, Single Setpoint

Multi Zone Single Setpoint uses two or three feedback sensors but only one setpoint. The feedbacks can be added, subtracted (only feedback 1 and 2) or averaged. In addition, the maximum or minimum value may be used. Setpoint 1 is used exclusively in this configuration.

If [13] *Multi Setpoint Min* is selected, the setpoint/feedback pair with the largest difference controls the speed of the frequency converter. [14] *Multi Setpoint Maximum* attempts to keep all zones at or below their respective setpoints, while [13] *Multi Setpoint Min* attempts to keep all zones at or above their respective setpoints.

Example

A two zone two setpoint application Zone 1 setpoint is 15 bar and the feedback is 5.5 bar. Zone 2 setpoint is 4.4 bar and the feedback is 4.6 bar. If [14] *Multi Setpoint Max* is selected, Zone 1's setpoint and feedback are sent to the

PID controller, since this has the smaller difference (feedback is higher than setpoint, resulting in a negative difference). If [13] *Multi Setpoint Min* is selected, Zone 2's setpoint and feedback is sent to the PID controller, since this has the larger difference (feedback is lower than setpoint, resulting in a positive difference).

2.8.6 Feedback Conversion

In some applications it may be useful to convert the feedback signal. One example of this is using a pressure signal to provide flow feedback. Since the square root of pressure is proportional to flow, the square root of the pressure signal yields a value proportional to the flow. This is shown in Illustration 2.16.

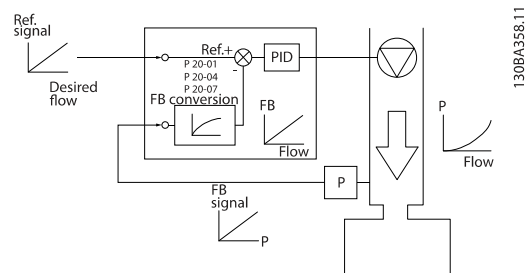


Illustration 2.16 Feedback Conversion

2.8.7 Reference Handling

Details for Open Loop and Closed Loop operation.

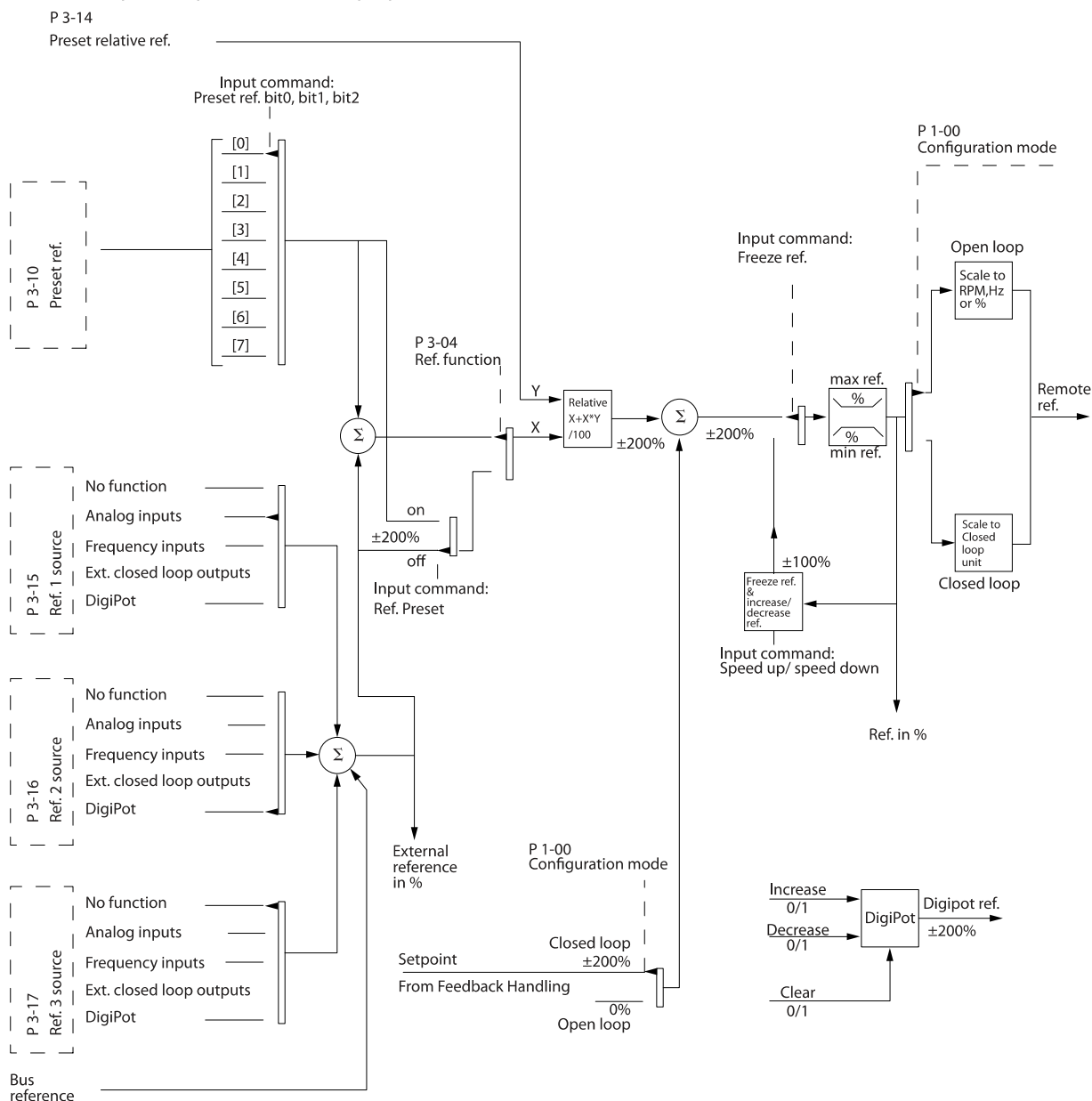


Illustration 2.17 Block Diagram Showing Remote Reference

The Remote Reference is comprised of:

- Preset references.
- External references (analog inputs, pulse frequency inputs, digital potentiometer inputs and serial communication bus references).
- The Preset relative reference.
- Feedback controlled setpoint.

Up to 8 preset references per set-up (4 set-up= 32) can be programmed in the frequency converter. The active preset

reference can be selected using digital inputs or the serial communications bus. The reference can also be supplied externally, most commonly from an analog input. This external source is selected by one of the 3 Reference Source parameters (3-15 Reference 1 Source, 3-16 Reference 2 Source and 3-17 Reference 3 Source). DigiPot is a digital potentiometer. This is also commonly called a Speed Up/Speed Down Control or a Floating Point Control. To set it up, one digital input is programmed to increase the reference while another digital input is programmed to decrease the reference. A third digital input can be used to reset the DigiPot reference. All reference resources and the

bus reference are added to produce the total External Reference. The External Reference, the Preset Reference or the sum of the two can be selected to be the active reference. Finally, this reference can be scaled using 3-14 Preset Relative Reference.

The scaled reference is calculated as follows:

$$Reference = X + X \times \left(\frac{Y}{100}\right)$$

Where X is the external reference, the preset reference or the sum of these and Y is 3-14 Preset Relative Reference in [%].

If Y, 3-14 Preset Relative Reference is set to 0%, the reference will not be affected by the scaling.

2.8.8 Example of Closed Loop PID Control

The following is an example of a Closed Loop Control for a ventilation system:

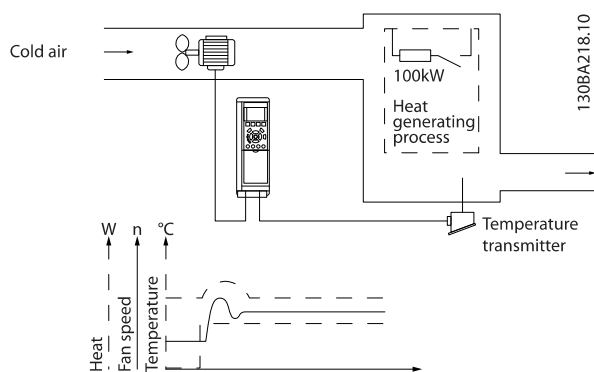


Illustration 2.18

In a ventilation system, the temperature is to be maintained at a constant value. The desired temperature is set between -5 and +35 °C using a 0-10 V potentiometer. Because this is a cooling application, if the temperature is above the set-point value, the speed of the fan must be increased to provide more cooling air flow. The temperature sensor has a range of -10 to +40 °C and uses a two-wire transmitter to provide a 4-20 mA signal. The output frequency range of the frequency converter is 10 to 50 Hz.

1. Start/Stop via switch connected between terminals 12 (+24 V) and 18.
2. Temperature reference via a potentiometer (-5 to +35 °C, 0 to 10 V) connected to terminals 50 (+10 V), 53 (input) and 55 (common).
3. Temperature feedback via transmitter (-10 to 40 °C, 4-20 mA) connected to terminal 54. Switch S202 behind the LCP set to ON (current input).

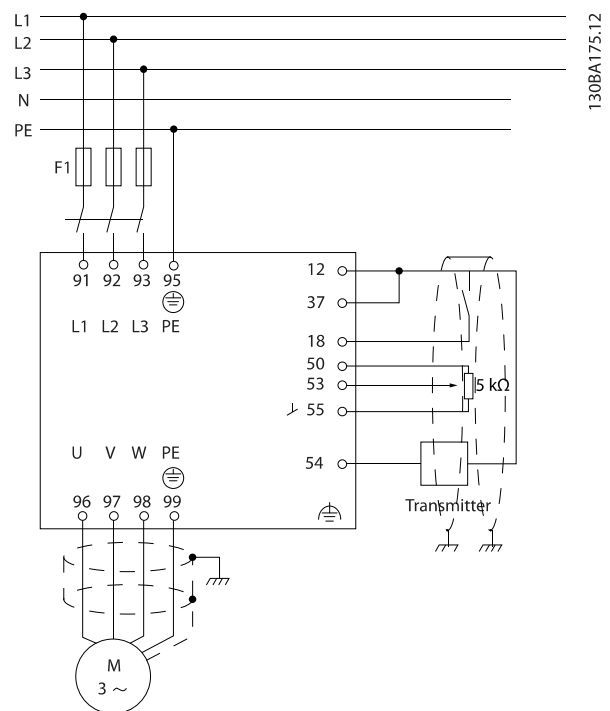


Illustration 2.19

2.8.9 Programming Order

NOTE

In this example it is assumed an induction motor is used, i.e. that 1-10 Motor Construction = [0] Asynchron.

Function	Par. no.	Setting
1) Make sure the motor runs properly. Do the following:		
Set the motor parameters using nameplate data.	1-2*	As specified by motor name plate
Run Automatic Motor Adaptation.	1-29	[1] Enable complete AMA and then run the AMA function.
2) Check that the motor is running in the right direction.		
Run Motor Rotation Check.	1-28	If the motor runs in the wrong direction, remove power temporarily and reverse two of the motor phases.
3) Make sure the frequency converter limits are set to safe values		
Check that the ramp settings are within capabilities of the drive and allowed application operating specifications.	3-41	60 s
	3-42	60 s Depends on motor/load size! Also active in Hand mode.
Prohibit the motor from reversing (if necessary)	4-10	[0] Clockwise

Function	Par. no.	Setting
Set acceptable limits for the motor speed.	4-12	10 Hz, <i>Motor min speed</i>
	4-14	50 Hz, <i>Motor max speed</i>
	4-19	50 Hz, <i>Drive max output frequency</i>
Switch from open loop to closed loop.	1-00	[3] <i>Closed Loop</i>
4) Configure the feedback to the PID controller.		
Select the appropriate reference/feedback unit.	20-12	[71] <i>Bar</i>
5) Configure the set-point reference for the PID controller.		
Set acceptable limits for the set-point reference.	20-13	0 Bar
	20-14	10 Bar
Choose current or voltage by switches S201 / S202		
6) Scale the analog inputs used for set-point reference and feedback.		
Scale Analog Input 53 for the pressure range of the potentiometer (0 - 10 Bar, 0 - 10 V).	6-10	0 V
	6-11	10 V (default)
	6-14	0 Bar
	6-15	10 Bar
Scale Analog Input 54 for pressure sensor (0 - 10 Bar, 4 - 20 mA)	6-22	4 mA
	6-23	20 mA (default)
	6-24	0 Bar
	6-25	10 Bar
7) Tune the PID controller parameters.		
Adjust the drive's Closed Loop Controller, if needed.	20-93	See Optimization of the PID Controller, below.
	20-94	
8) Finished!		
Save the parameter setting to the LCP for safe keeping	0-50	[1] <i>All to LCP</i>

Table 2.8

2.8.10 Tuning the Drive Closed Loop Controller

Once the frequency converter's Closed Loop Controller has been set up, the performance of the controller should be tested. In many cases, its performance may be acceptable using the default values of *20-93 PID Proportional Gain* and *20-94 PID Integral Time*. However, in some cases it may be helpful to optimize these parameter values to provide faster system response while still controlling speed overshoot.

2.8.11 Manual PID Adjustment

1. Start the motor
2. Set *20-93 PID Proportional Gain* to 0.3 and increase it until the feedback signal begins to oscillate. If necessary, start and stop the drive or make step changes in the set-point reference to attempt to cause oscillation. Next reduce the PID

Proportional Gain until the feedback signal stabilizes. Then reduce the proportional gain by 40-60%.

3. Set *20-94 PID Integral Time* to 20 s and reduce it until the feedback signal begins to oscillate. If necessary, start and stop the drive or make step changes in the set-point reference to attempt to cause oscillation. Next, increase the PID Integral Time until the feedback signal stabilizes. Then increase of the Integral Time by 15-50%.
4. *20-95 PID Differentiation Time* should only be used for very fast-acting systems. The typical value is 25% of *20-94 PID Integral Time*. The differential function should only be used when the setting of the proportional gain and the integral time has been fully optimized. Make sure that oscillations of the feedback signal are sufficiently dampened by the low-pass filter for the feedback signal (parameters 6-16, 6-26, 5-54 or 5-59 as required).

2.9 General Aspects of EMC

2.9.1 General Aspects of EMC Emissions

Electrical interference is usually conducted at frequencies in the range 150 kHz to 30 MHz. Airborne interference from the frequency converter system in the range 30 MHz to 1 GHz is generated from the inverter, motor cable, and the motor.

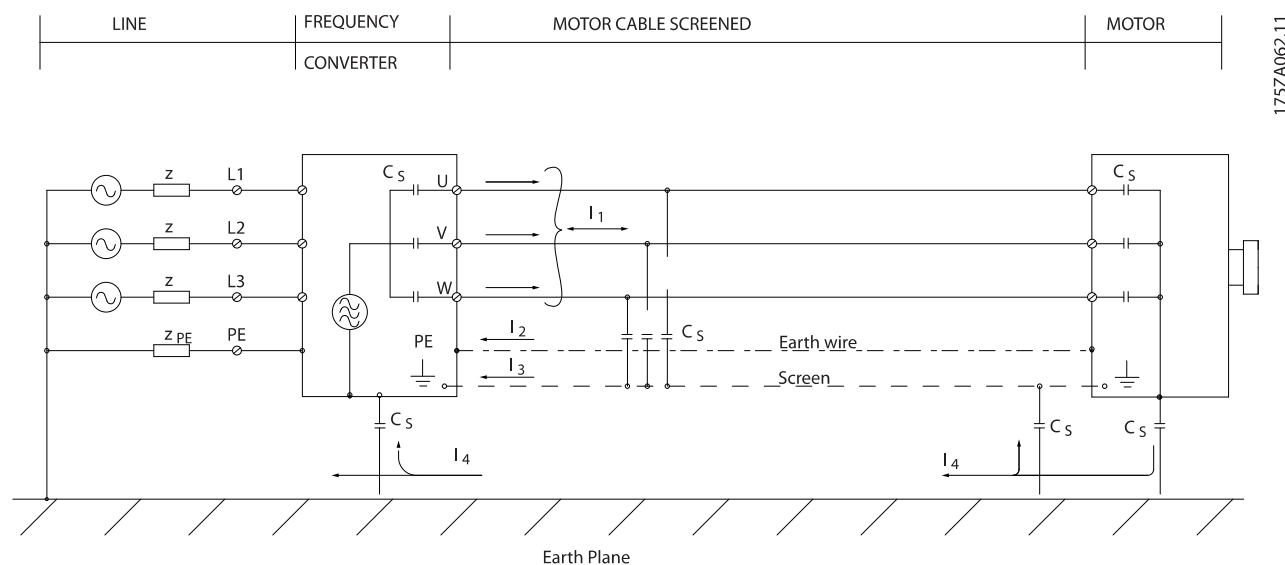
As shown in *Illustration 2.20*, capacitive currents in the motor cable coupled with a high dU/dt from the motor voltage generate leakage currents.

The use of a screened motor cable increases the leakage current (see *Illustration 2.20*) because screened cables have higher capacitance to earth than unscreened cables. If the leakage current is not filtered, it will cause greater interference on the mains in the radio frequency range below approximately 5 MHz. Since the leakage current (I_1) is carried back to the unit through the screen (I_3), there will in principle only be a small electro-magnetic field (I_4) from the screened motor cable according to the below figure.

The screen reduces the radiated interference but increases the low-frequency interference on the mains. The motor cable screen must be connected to the frequency converter enclosure as well as on the motor enclosure. This is best done by using integrated screen clamps so as to avoid twisted screen ends (pigtailed). These increase the screen impedance at higher frequencies, which reduces the screen effect and increases the leakage current (I_4). If a screened cable is used for fieldbus, relay, control cable, signal interface and brake, the screen must be mounted on the enclosure at both ends. In some situations, however, it

2

will be necessary to break the screen to avoid current loops.



175ZA062.11

Illustration 2.20 Situation that Generates Leakage Currents

If the screen is to be placed on a mounting plate for the frequency converter, the mounting plate must be made of metal, because the screen currents have to be conveyed back to the unit. Moreover, ensure good electrical contact from the mounting plate through the mounting screws to the frequency converter chassis.

When unscreened cables are used, some emission requirements are not complied with, although the immunity requirements are observed.

In order to reduce the interference level from the entire system (unit + installation), make motor and brake cables as short as possible. Avoid placing cables with a sensitive signal level alongside motor and brake cables. Radio interference higher than 50 MHz (airborne) is especially generated by the control electronics. See for more information on EMC.

2.9.2 Emission Requirements

According to the EMC product standard for adjustable speed frequency converters EN/IEC 61800-3:2004 the EMC requirements depend on the intended use of the frequency converter. Four categories are defined in the EMC product standard. The definitions of the 4 categories together with the requirements for mains supply voltage conducted emissions are given in Table 2.9.

Category	Definition	Conducted emission requirement according to the limits given in EN 55011
C1	Frequency converters installed in the first environment (home and office) with a supply voltage less than 1000 V.	Class B
C2	Frequency converters installed in the first environment (home and office) with a supply voltage less than 1000 V, which are neither plug-in nor movable and are intended to be installed and commissioned by a professional.	Class A Group 1
C3	Frequency converters installed in the second environment (industrial) with a supply voltage lower than 1000 V.	Class A Group 2
C4	Frequency converters installed in the second environment with a supply voltage equal to or above 1000 V or rated current equal to or above 400 A or intended for use in complex systems.	No limit line. An EMC plan should be made.

Table 2.9 Emission Requirements

When the generic emission standards are used the frequency converters are required to comply with the following limits

Environment	Generic standard	Conducted emission requirement according to the limits given in EN 55011
First environment (home and office)	EN/IEC 61000-6-3 Emission standard for residential, commercial and light industrial environments.	Class B
Second environment (industrial environment)	EN/IEC 61000-6-4 Emission standard for industrial environments.	Class A Group 1

Table 2.10

2.9.3 EMC Test Results (Emission)

potentiometer, as well as a motor and motor screened cable.

The following test results have been obtained using a system with a frequency converter (with options if relevant), a screened control cable, a control box with

RFI filter type	Conducted emission Maximum shielded cable length				Radiated emission	
	Industrial environment		Housing, trades and light industries		Industrial environment	Housing, trades and light industries
Standard	EN 55011 Class A2	EN 55011 Class A1	EN 55011 Class B	EN 55011 Class A1	EN 55011 Class B	
H1						
1.1-45 kW 200-240 V	T2	150 m	150 m	50 m	Yes	No
1.1-90 kW 380-480 V	T4	150 m	150 m	50 m	Yes	No
H2						
1.1-3.7 kW 200-240 V	T2	5 m	No	No	No	No
5.5-45 kW 200-240 V	T2	25 m	No	No	No	No
1.1-7.5 kW 380-480 V	T4	5 m	No	No	No	No
11-90 kW 380-480 V	T4	25 m	No	No	No	No
110-250 kW 380-480 V	T4	150 m	No	No	No	No
H3						
1.1-45 kW 200-240 V	T2	75 m	50 m	10 m	Yes	No
1.1-90 kW 380-480 V	T4	75 m	50 m	10 m	Yes	No
H4						
110-1000 kW 380-480 V	T4	150 m	150 m	No	Yes	No
Hx						
1.1-90 kW 525-600 V	T6	-	-	-	-	-

Table 2.11 EMC Test Results (Emission)

HX, H1, H2 or H3 is defined in the type code pos. 16 - 17 for EMC filters

HX - No EMC filters built in the frequency converter (600 V units only)

H1 - Integrated EMC filter. Fulfil Class A1/B

H2 - No additional EMC filter. Fulfil Class A2

H3 - Integrated EMC filter. Fulfil class A1/B (Frame size A1 only)

H4 - Integrated EMC filter. Fulfil class A1

The harmonics do not affect the power consumption directly but increase the heat losses in the installation (transformer, cables). Consequently, in plants with a high percentage of rectifier load, maintain harmonic currents at a low level to avoid overload of the transformer and high temperature in the cables.

2.9.4 General Aspects of Harmonics Emission

A frequency converter takes up a non-sinusoidal current from mains, which increases the input current I_{RMS} . A non-sinusoidal current is transformed by means of a Fourier analysis and split up into sine-wave currents with different frequencies, i.e. different harmonic currents I_n with 50 Hz as the basic frequency:

Harmonic currents	I_1	I_5	I_7
Hz	50	250	350

Table 2.12

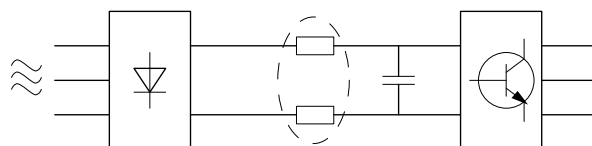


Illustration 2.21

175HA034.10

NOTE

Some of the harmonic currents might disturb communication equipment connected to the same transformer or cause resonance in connection with power-factor correction batteries.

To ensure low harmonic currents, the frequency converter is equipped with intermediate circuit coils as standard. This normally reduces the input current I_{RMS} by 40%.

The voltage distortion on the mains supply voltage depends on the size of the harmonic currents multiplied by the mains impedance for the frequency in question. The total voltage distortion THD is calculated on the basis of the individual voltage harmonics using this formula:

$$THD \% = \sqrt{U_5^2 + U_7^2 + \dots + U_N^2}$$

(U_N% of U)

2.9.5 Harmonics Emission Requirements

Equipment connected to the public supply network

Options:	Definition:
1	IEC/EN 61000-3-2 Class A for 3-phase balanced equipment (for professional equipment only up to 1 kW total power).
2	IEC/EN 61000-3-12 Equipment 16 A-75 A and professional equipment as from 1 kW up to 16 A phase current.

Table 2.13

2.9.6 Harmonics Test Results (Emission)

Power sizes up to PK75 in T2 and T4 complies with IEC/EN 61000-3-2 Class A. Power sizes from P1K1 and up to P18K in T2 and up to P90K in T4 complies with IEC/EN 61000-3-12, Table 4. Power sizes P110 - P450 in T4 also complies with IEC/EN 61000-3-12 even though not required because currents are above 75A.

Provided that the short-circuit power of the supply S_{sc} is greater than or equal to:

$$S_{SC} = \sqrt{3} \times R_{SCE} \times U_{mains} \times I_{equ} = \sqrt{3} \times 120 \times 400 \times I_{equ}$$

at the interface point between the user's supply and the public system (R_{sce}).

It is the responsibility of the installer or user of the equipment to ensure, by consultation with the distribution network operator if necessary, that the equipment is connected only to a supply with a short-circuit power S_{sc} greater than or equal to specified above.

Other power sizes can be connected to the public supply network by consultation with the distribution network operator.

Compliance with various system level guidelines: The harmonic current data in the table are given in accordance with IEC/EN61000-3-12 with reference to the Power Drive Systems product standard. They may be used as the basis for calculation of the harmonic currents' influence on the power supply system and for the documentation of compliance with relevant regional guidelines: IEEE 519 -1992; G5/4.

2.9.7 Immunity Requirements

The immunity requirements for frequency converters depend on the environment where they are installed. The requirements for the industrial environment are higher than the requirements for the home and office environment. All Danfoss frequency converters comply with the requirements for the industrial environment and consequently comply also with the lower requirements for home and office environment with a large safety margin.

In order to document immunity against electrical interference from electrical phenomena, the following immunity tests have been made on a system consisting of a frequency converter (with options if relevant), a screened control cable and a control box with potentiometer, motor cable and motor.

The tests were performed in accordance with the following basic standards:

- **EN 61000-4-2 (IEC 61000-4-2):** Electrostatic discharges (ESD): Simulation of electrostatic discharges from human beings.
- **EN 61000-4-3 (IEC 61000-4-3):** Incoming electromagnetic field radiation, amplitude modulated simulation of the effects of radar and radio communication equipment as well as mobile communications equipment.
- **EN 61000-4-4 (IEC 61000-4-4):** Burst transients: Simulation of interference brought about by switching a contactor, relay or similar devices.
- **EN 61000-4-5 (IEC 61000-4-5):** Surge transients: Simulation of transients brought about e.g. by lightning that strikes near installations.
- **EN 61000-4-6 (IEC 61000-4-6):** RF Common mode: Simulation of the effect from radio-transmission equipment joined by connection cables.

See Table 2.14.

Basic standard	Burst IEC 61000-4-4	Surge IEC 61000-4-5	ESD IEC 61000-4-2	Radiated electromagnetic field IEC 61000-4-3	RF common mode voltage IEC 61000-4-6
Acceptance criterion	B	B	B	A	A
Voltage range: 200-240 V, 380-480 V					
Line	4 kV CM	2 kV/2 Ω DM 4 kV/12 Ω CM	—	—	10 V _{RMS}
Motor	4 kV CM	4 kV/2 Ω ¹⁾	—	—	10 V _{RMS}
Brake	4 kV CM	4 kV/2 Ω ¹⁾	—	—	10 V _{RMS}
Load sharing	4 kV CM	4 kV/2 Ω ¹⁾	—	—	10 V _{RMS}
Control wires	2 kV CM	2 kV/2 Ω ¹⁾	—	—	10 V _{RMS}
Standard bus	2 kV CM	2 kV/2 Ω ¹⁾	—	—	10 V _{RMS}
Relay wires	2 kV CM	2 kV/2 Ω ¹⁾	—	—	10 V _{RMS}
Application and Fieldbus options	2 kV CM	2 kV/2 Ω ¹⁾	—	—	10 V _{RMS}
LCP cable	2 kV CM	2 kV/2 Ω ¹⁾	—	—	10 V _{RMS}
External 24 V DC	2 V CM	0.5 kV/2 Ω DM 1 kV/12 Ω CM	—	—	10 V _{RMS}
Enclosure	—	—	8 kV AD 6 kV CD	10V/m	—

Table 2.14 EMC Immunity Form

1) Injection on cable shield

AD: Air Discharge

CD: Contact Discharge

CM: Common mode

DM: Differential mode

2.9.8 EMC Test Results (Emission)

potentiometer, as well as a motor and motor screened cable.

The following test results have been obtained using a system with a frequency converter (with options if relevant), a screened control cable, a control box with

RFI filter type	Conducted emission Maximum shielded cable length			Radiated emission	
	Industrial environment	Housing, trades and light industries	Industrial environment	Housing, trades and light industries	
Standard	EN 55011 Class A2	EN 55011 Class A1	EN 55011 Class B	EN 55011 Class A1	EN 55011 Class B
H1					
1.1-45 kW 200-240 V	T2	150 m	150 m	50 m	Yes No
1.1-90 kW 380-480 V	T4	150 m	150 m	50 m	Yes No
H2					
1.1-3.7 kW 200-240 V	T2	5 m	No	No	No No
5.5-45 kW 200-240 V	T2	25 m	No	No	No No
1.1-7.5 kW 380-480 V	T4	5 m	No	No	No No
11-90 kW 380-480 V	T4	25 m	No	No	No No
110-250 kW 380-480 V	T4	150 m	No	No	No No
H3					
1.1-45 kW 200-240 V	T2	75 m	50 m	10 m	Yes No
1.1-90 kW 380-480 V	T4	75 m	50 m	10 m	Yes No
H4					
110-1000 kW 380-480 V	T4	150 m	150 m	No	Yes No
Hx					
1.1-90 kW 525-600 V	T6	-	-	-	- -

Table 2.15 EMC Test Results (Emission)

HX, H1, H2 or H3 is defined in the type code pos. 16 - 17 for EMC filters

HX - No EMC filters built in the frequency converter (600 V units only)

H1 - Integrated EMC filter. Fulfil Class A1/B

H2 - No additional EMC filter. Fulfil Class A2

H3 - Integrated EMC filter. Fulfil class A1/B (Frame size A1 only)

H4 - Integrated EMC filter. Fulfil class A1

Galvanic (ensured) isolation is obtained by fulfilling requirements for higher isolation and by providing the relevant creepage/clearance distances. These requirements are described in the EN 61800-5-1 standard.

The components that make up the electrical isolation, as described below, also comply with the requirements for higher isolation and the relevant test as described in EN 61800-5-1.

The PELV galvanic isolation can be shown in six locations (see *Illustration 2.22*):

2.10 Galvanic isolation (PELV)

2.10.1 PELV - Protective Extra Low Voltage

PELV offers protection by way of extra low voltage. Protection against electric shock is ensured when the electrical supply is of the PELV type and the installation is made as described in local/national regulations on PELV supplies.

All control terminals and relay terminals 01-03/04-06 comply with PELV (Protective Extra Low Voltage), with the exception of grounded Delta leg above 400 V.

In order to maintain PELV all connections made to the control terminals must be PELV, e.g. thermistor must be reinforced/double insulated.

1. Power supply (SMPS) incl. signal isolation of U_{DC}, indicating the voltage of intermediate DC Link circuit.
2. Gate drive that runs the IGBTs (trigger transformers/opto-couplers).
3. Current transducers.

4. Opto-coupler, brake module.
5. Internal inrush, RFI, and temperature measurement circuits.
6. Custom relays.
7. Mechanical brake.

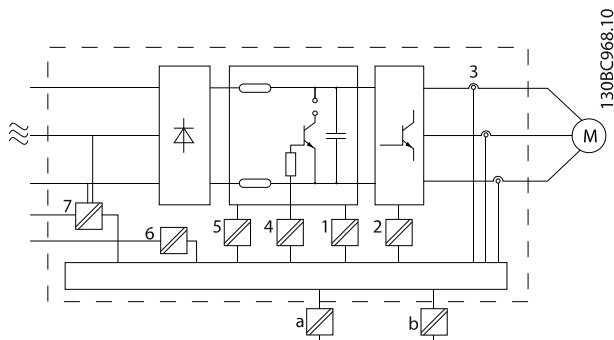


Illustration 2.22 Galvanic Isolation

The functional galvanic isolation (a and b on *Illustration 2.22*) is for the 24 V back-up option and for the RS-485 standard bus interface.

WARNING

Installation at high altitude:

380-480 V, enclosure A, B and C: At altitudes above 2 km, please contact Danfoss regarding PELV.

380-480 V, enclosure D: At altitudes above 3 km, please contact Danfoss regarding PELV.

525-690 V: At altitudes above 2 km, please contact Danfoss regarding PELV.

WARNING

Touching the electrical parts could be fatal - even after the equipment has been disconnected from mains.

Also make sure that other voltage inputs have been disconnected, such as load sharing (linkage of DC intermediate circuit), as well as the motor connection for kinetic back-up.

Before touching any electrical parts, wait at least the amount of time indicated in *2.1.2 Caution*.

Shorter time is allowed only if indicated on the nameplate for the specific unit.

2.11 Earth Leakage Current

Follow national and local codes regarding protective earthing of equipment with a leakage current > 3,5 mA. Frequency converter technology implies high frequency switching at high power. This will generate a leakage current in the earth connection. A fault current in the frequency converter at the output power terminals might

contain a DC component which can charge the filter capacitors and cause a transient earth current. The earth leakage current is made up of several contributions and depends on various system configurations including RFI filtering, screened motor cables, and frequency converter power.

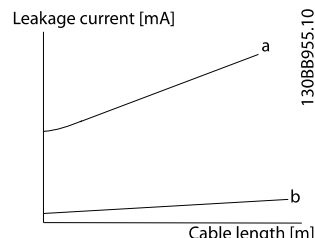


Illustration 2.23 Cable Length and Power Size Influence on Leakage Current. Pa > Pb

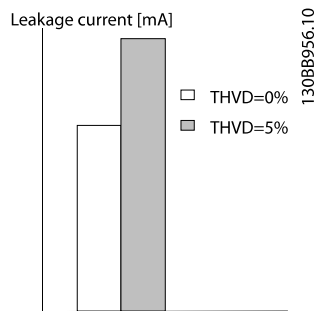


Illustration 2.24 Line Distortion Influences Leakage Current

NOTE

When a filter is used, turn off 14-50 RFI Filter when charging the filter, to avoid that a high leakage current makes the RCD switch.

EN/IEC61800-5-1 (Power Drive System Product Standard) requires special care if the leakage current exceeds 3.5mA. Earth grounding must be reinforced in one of the following ways:

- Earth ground wire (terminal 95) of at least 10 mm²
- Two separate earth ground wires both complying with the dimensioning rules

See EN/IEC61800-5-1 and EN50178 for further information.

Using RCDs

Where residual current devices (RCDs), also known as earth leakage circuit breakers (ELCBs), are used, comply with the following:

Use RCDs of type B only which are capable of detecting AC and DC currents

Use RCDs with an inrush delay to prevent faults due to transient earth currents

Dimension RCDs according to the system configuration and environmental considerations

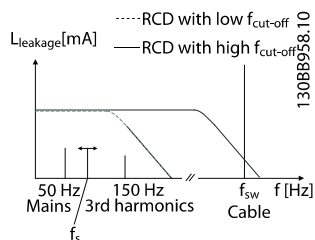


Illustration 2.25 Main Contributions to Leakage Current

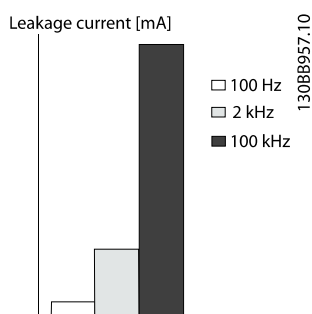


Illustration 2.26 The Influence of the Cut-off Frequency of the RCD on What Is Responded to/measured

See also RCD Application Note, MN90G

2.12 Extreme Running Conditions

Short Circuit (Motor Phase – Phase)

The frequency converter is protected against short circuits by means of current measurement in each of the three motor phases or in the DC link. A short circuit between two output phases will cause an overcurrent in the inverter. The inverter will be turned off individually when the short circuit current exceeds the permitted value (Alarm 16 Trip Lock).

To protect the frequency converter against a short circuit at the load sharing and brake outputs see the design guidelines.

See certificate in 2.6.1 *Electrical Terminals*.

Switching on the Output

Switching on the output between the motor and the frequency converter is fully permitted. Switching on the

output does not damage the frequency converter in any way. However, fault messages may appear.

Motor-generated Over-voltage

The voltage in the intermediate circuit is increased when the motor acts as a generator. This occurs in following cases:

1. The load drives the motor (at constant output frequency from the frequency converter), ie. the load generates energy.
2. During deceleration ("ramp-down") if the moment of inertia is high, the friction is low and the ramp-down time is too short for the energy to be dissipated as a loss in the frequency converter, the motor and the installation.
3. Incorrect slip compensation setting may cause higher DC link voltage.

WARNING

The frequency converter must be equipped with a break chopper.

The control unit may attempt to correct the ramp if possible (2-17 *Over-voltage Control*). In the worst case, the inverter turns off to protect the transistors and the intermediate circuit capacitors when a certain voltage level is reached. See 2-10 *Brake Function* and 2-17 *Over-voltage Control* to select the method used for controlling the intermediate circuit voltage level.

Mains Drop-out

During a mains drop-out, the frequency converter keeps running until the intermediate circuit voltage drops below the minimum stop level, which is typically 15% below the frequency converter's lowest rated supply voltage. The mains voltage before the drop-out and the motor load determines how long it takes for the inverter to coast.

Static Overload in VVC^{plus} mode

When the frequency converter is overloaded (the torque limit in 4-16 *Torque Limit Motor Mode*/4-17 *Torque Limit Generator Mode* is reached), the controls reduces the output frequency to reduce the load.

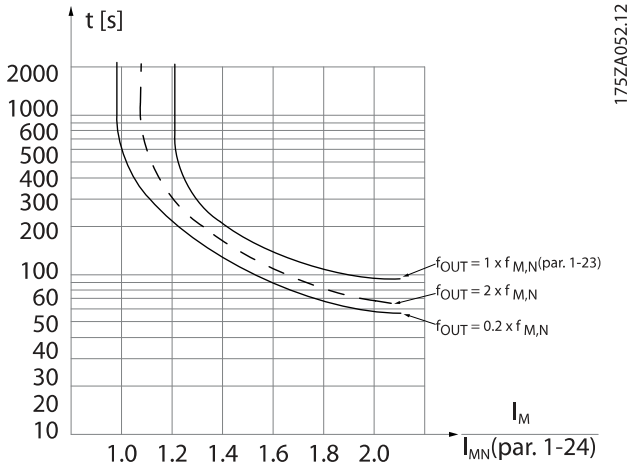
If the overload is excessive, a current may occur that makes the frequency converter cut out after approx. 5-10 s.

Operation within the torque limit is limited in time (0-60 s) in 14-25 *Trip Delay at Torque Limit*.

2

2.12.1 Motor Thermal Protection

This is the way Danfoss is protecting the motor from being overheated. It is an electronic feature that simulates a bimetal relay based on internal measurements. The characteristic is shown in *Illustration 2.27*



175ZA052.12

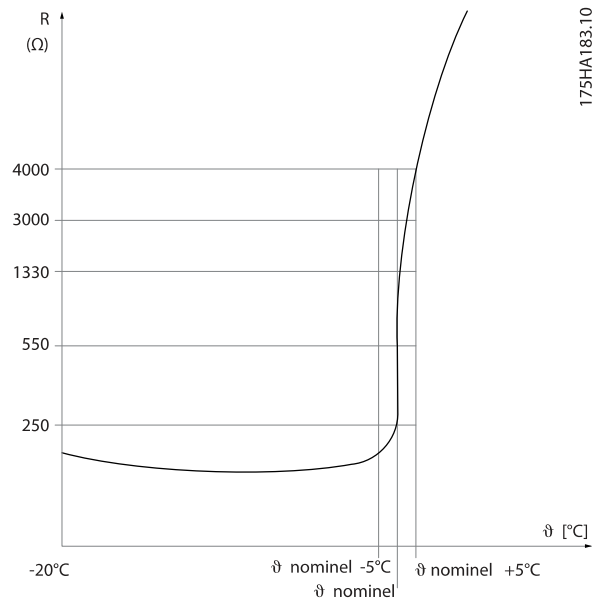
Illustration 2.27 The X-axis is showing the ratio between I_{motor} and I_{motor} nominal. The Y-axis is showing the time in seconds before the ETR cuts off and trips the frequency converter. The curves are showing the characteristic nominal speed at twice the nominal speed and at 0,2x the nominal speed.

It is clear that at lower speed the ETR cuts off at lower heat due to less cooling of the motor. In that way the motor are protected from being over heated even at low speed. The ETR feature is calculating the motor temperature based on actual current and speed. The calculated temperature is visible as a read out parameter in 16-18 Motor Thermal in the frequency converter.

The thermistor cut-out value is $> 3\text{ k}\Omega$.

Integrate a thermistor (PTC sensor) in the motor for winding protection.

Motor protection can be implemented using a range of techniques: PTC sensor in motor windings; mechanical thermal switch (Klixon type); or Electronic Thermal Relay (ETR).



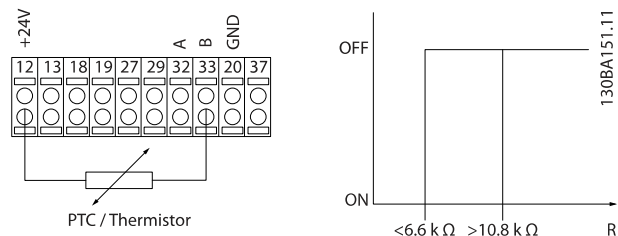
175HA183.10

Illustration 2.28

Using a digital input and 24 V as power supply:
Example: The frequency converter trips when the motor temperature is too high.

Parameter set-up:

- Set 1-90 Motor Thermal Protection to [2] Thermistor Trip
- Set 1-93 Thermistor Source to [6] Digital Input 33



130BA151.11

Illustration 2.29

Using a digital input and 10 V as power supply:
Example: The frequency converter trips when the motor temperature is too high.

Parameter set-up:

- Set 1-90 Motor Thermal Protection to [2] Thermistor Trip
- Set 1-93 Thermistor Source to [6] Digital Input 33

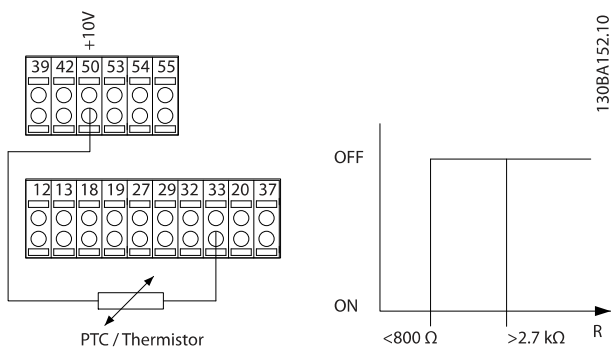


Illustration 2.30

limit is protecting the motor and application for being overloaded.

ETR is activated in *1-90 Motor Thermal Protection* and is controlled in *4-16 Torque Limit Motor Mode*. The time before the torque limit warning trips the frequency converter is set in *14-25 Trip Delay at Torque Limit*.

Using an analog input and 10 V as power supply:

Example: The frequency converter trips when the motor temperature is too high.

Parameter set-up:

Set *1-90 Motor Thermal Protection* to *[2] Thermistor Trip*

Set *1-93 Thermistor Source* to *[2] Analog Input 54*

Do not select a reference source.

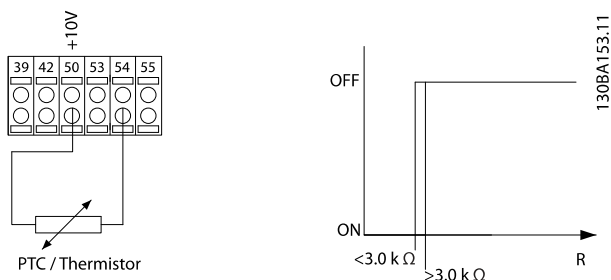


Illustration 2.31

Input	Supply Voltage V	Threshold
Digital/analog	Cut-out Values	Cut-out Values
Digital	24	< 6.6kΩ - > 10.8kΩ
Digital	10	< 800Ω - > 2.7kΩ
Analog	10	< 3.0kΩ - > 3.0kΩ

Table 2.16

NOTE

Check that the chosen supply voltage follows the specification of the used thermistor element.

Summary

With the Torque limit feature the motor is protected for being overloaded independent of the speed. With the ETR the motor is protected for being over heated and there is no need for any further motor protection. That means when the motor is heated up the ETR timer controls for how long time the motor can be running at the high temperature before it is stopped in order to prevent over heating. If the motor is overloaded without reaching the temperature where the ETR shuts of the motor, the torque

3 Drive Selection

3

3.1 Options and Accessories

Danfoss offers a wide range of options and accessories for the frequency converters.

3.1.1 Mounting of Option Modules in Slot B

The power to the frequency converter must be disconnected.

For A2 and A3 enclosures:

- Remove the LCP (Local Control Panel), the terminal cover, and the LCP frame from the frequency converter.
- Fit the MCB1xx option card into slot B.
- Connect the control cables and relieve the cable by the enclosed cable strips.
- Remove the knock out in the extended LCP frame delivered in the option set, so that the option will fit under the extended LCP frame.
- Fit the extended LCP frame and terminal cover.
- Fit the LCP or blind cover in the extended LCP frame.
- Connect power to the frequency converter.
- Set up the input/output functions in the corresponding parameters, as mentioned in .

For B1, B2, C1 and C2 enclosures:

- Remove the LCP and the LCP cradle
- Fit the MCB 1xx option card into slot B
- Connect the control cables and relieve the cable by the enclosed cable strips
- Fit the cradle
- Fit the LCP

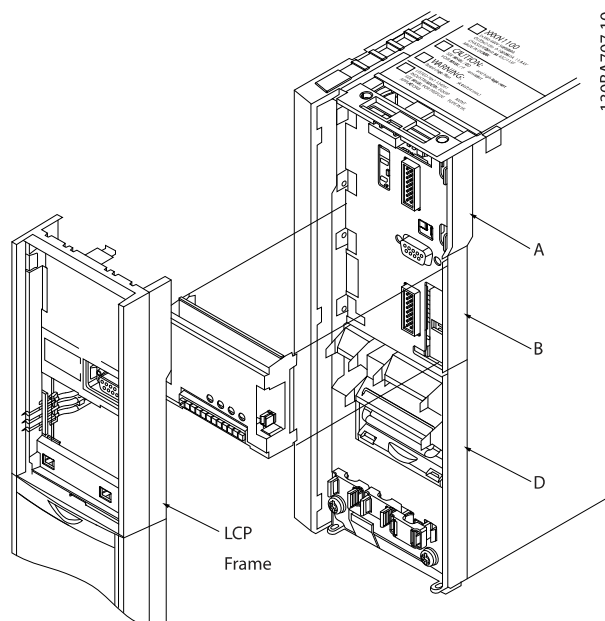


Illustration 3.1 A2, A3 and B3 Enclosures

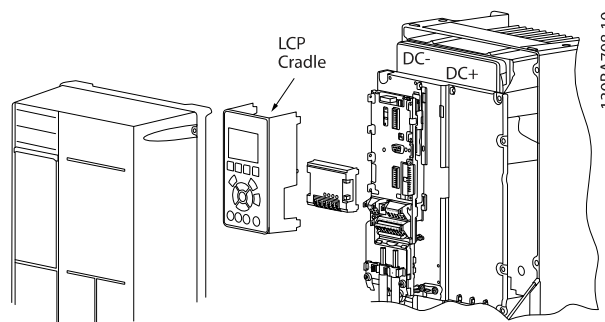


Illustration 3.2 A5, B1, B2, B4, C1, C2, C3 and C4 Enclosures

3.1.2 General Purpose Input Output Module MCB 101

MCB 101 is used for extension of the number of digital and analog inputs and outputs of the frequency converter.

Contents: MCB 101 must be fitted into slot B in the frequency converter.

- MCB 101 option module
- Extended LCP frame
- Terminal cover

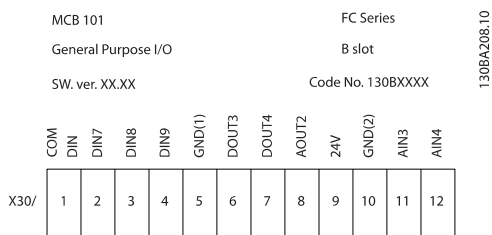


Illustration 3.3

Galvanic isolation in the MCB 101

Digital/analog inputs are galvanically isolated from other inputs/outputs on the MCB 101 and in the control card of the frequency converter. Digital/analog outputs in the MCB 101 are galvanically isolated from other inputs/outputs on the MCB 101, but not from these on the control card of the frequency converter.

If the digital inputs 7, 8 or 9 are to be switched by use of the internal 24 V power supply (terminal 9) the connection between terminal 1 and 5 which is shown in *Illustration 3.4* has to be established.

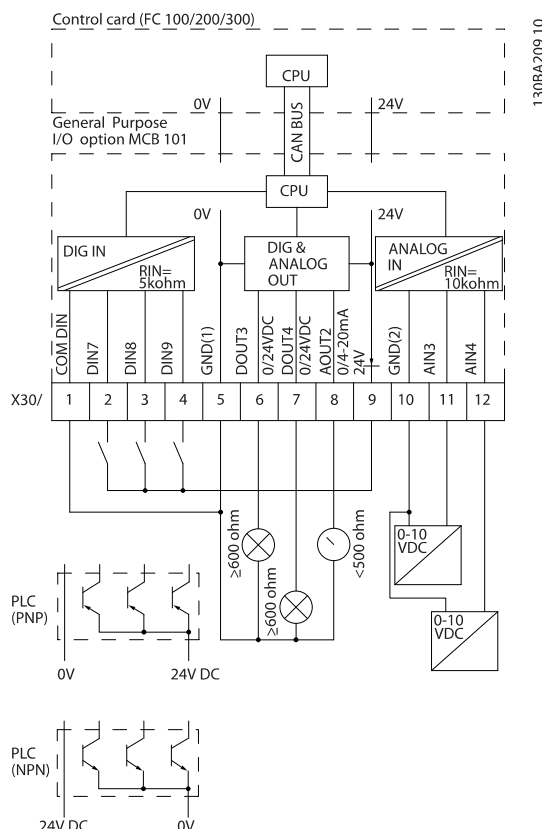


Illustration 3.4 Principle Diagram

3.1.3 Digital Inputs - Terminal X30/1-4

Parameters for set-up: 5-16, 5-17 and 5-18				
Number of digital inputs	Voltage level	Voltage levels	Tolerance	Max. Input impedance
3	0-24 V DC	PNP type: Common = 0 V Logic "0": Input < 5 V DC Logic "1": Input > 10 V DC NPN type: Common = 24 V Logic "0": Input > 19 V DC Logic "1": Input < 14 V DC	± 28 V continuous ± 37 V in minimum 10 s	Approx. 5 kΩ

Table 3.1

3.1.4 Analog Voltage Inputs - Terminal X30/10-12

Parameters for set-up: 6-3*, 6-4* and 16-76				
Number of analog voltage inputs	Standardized input signal	Tolerance	Resolution	Max. Input impedance
2	0-10 V DC	± 20 V continuously	10 bits	Approx. 5 kΩ

Table 3.2

3.1.5 Digital Outputs - Terminal X30/5-7

Parameters for set-up: 5-32 and 5-33			
Number of digital outputs	Output level	Tolerance	Max. impedance
2	0 or 2 V DC	± 4 V	≥ 600 Ω

Table 3.3

3.1.6 Analog Outputs - Terminal X30/5+8

Parameters for set-up: 6-6* and 16-77			
Number of analog outputs	Output signal level	Tolerance	Max. impedance
1	0/4 - 20 mA	±0.1 mA	< 500 Ω

Table 3.4

3.1.7 Relay Option MCB 105

The MCB 105 option includes 3 pieces of SPDT contacts and must be fitted into option slot B.

Electrical Data:

Max terminal load (AC-1) ¹⁾ (Resistive load)	240 V AC 2A
Max terminal load (AC-15) ¹⁾ (Inductive load @ cosφ 0.4)	240 V AC 0.2 A
Max terminal load (DC-1) ¹⁾ (Resistive load)	24 V DC 1 A
Max terminal load (DC-13) ¹⁾ (Inductive load)	24 V DC 0.1 A
Min terminal load (DC)	5 V 10 mA
Max switching rate at rated load/min load	6 min ⁻¹ /20 s ⁻¹

¹⁾ IEC 947 part 4 and 5

When the relay option kit is ordered separately the kit includes:

- Relay Module MCB 105
- Extended LCP frame and enlarged terminal cover
- Label for covering access to switches S201, S202 and S801
- Cable strips for fastening cables to relay module

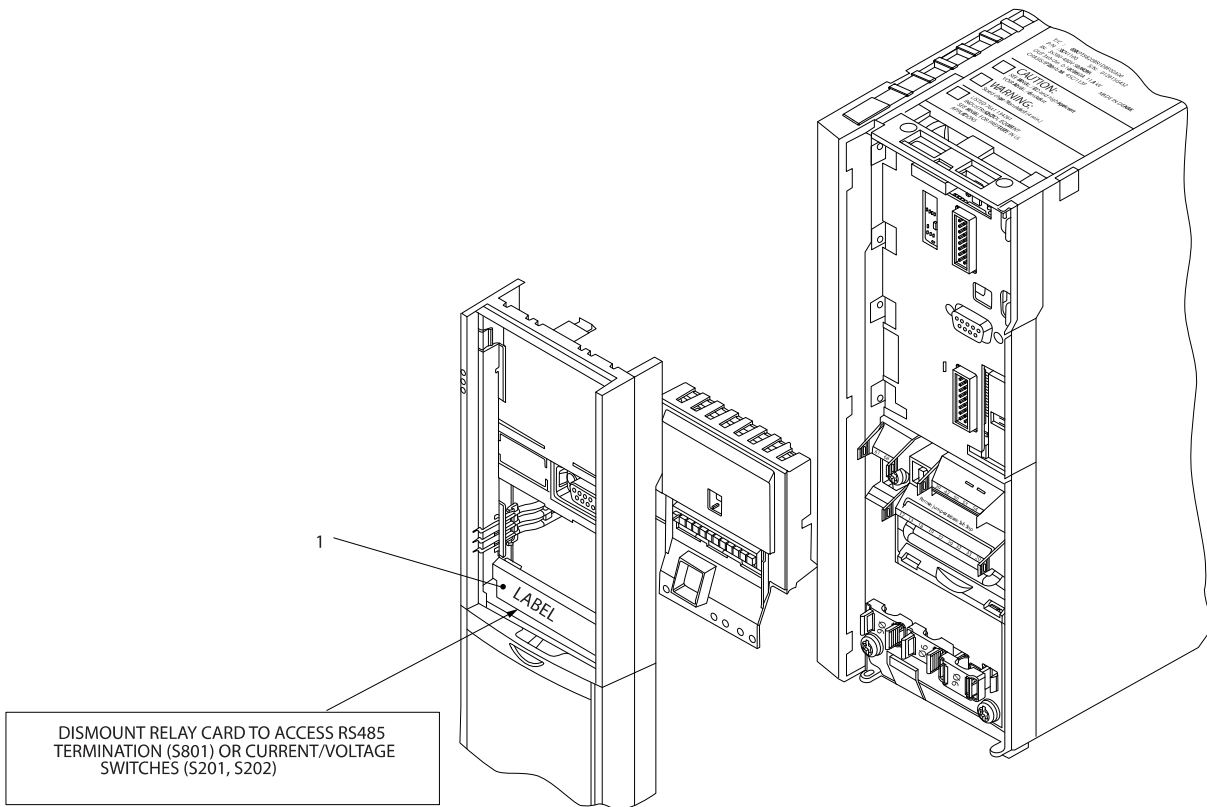


Illustration 3.5

A2-A3-B3	A5-B1-B2-B4-C1-C2-C3-C4
----------	-------------------------

¹⁾ **IMPORTANT!** The label **MUST** be placed on the LCP frame as shown (UL approved).

Table 3.5

3

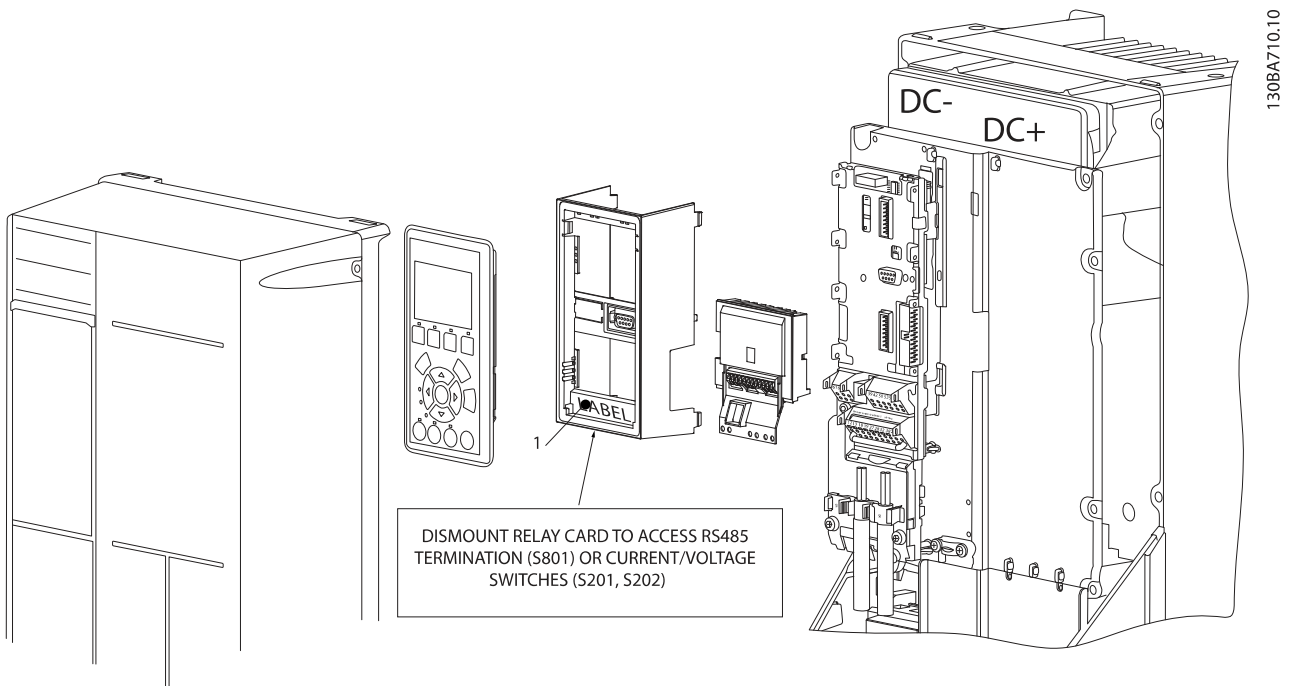


Illustration 3.6

WARNING

Warning Dual supply

How to add the MCB 105 option:

- See mounting instructions in the beginning of section *Options and Accessories*
- The power to the live part connections on relay terminals must be disconnected.
- Do not mix live parts with control signals (PELV).
- Select the relay functions in 5-40 *Function Relay* [6-8], 5-41 *On Delay, Relay* [6-8] and 5-42 *Off Delay, Relay* [6-8].

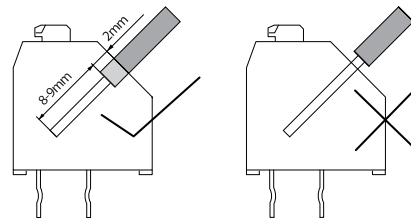


Illustration 3.8

NOTE

Index [6] is relay 7, index [7] is relay 8, and index [8] is relay 9

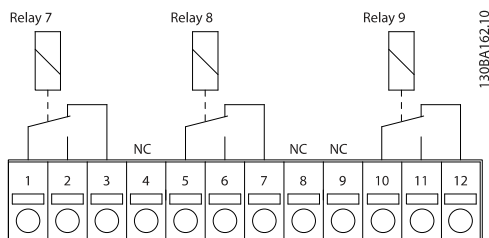


Illustration 3.7

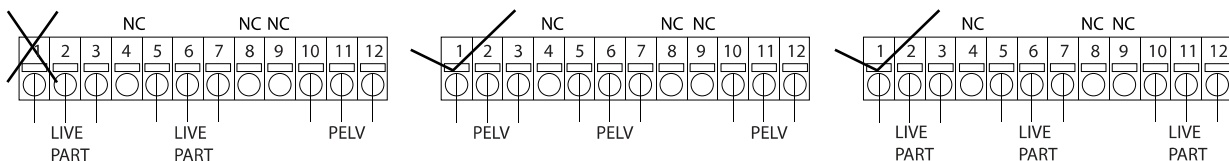


Illustration 3.9

130BA176.10

⚠ WARNING

Do not combine low voltage parts and PELV systems. At a single fault the whole system might become dangerous to touch and it could result in death or serious injury.

3.1.8 24 V Back-Up Option MCB 107 (Option D)

External 24 V DC Supply

An external 24 V DC supply can be installed for low-voltage supply to the control card and any option card installed. This enables full operation of the LCP (including the parameter setting) and fieldbusses without mains supplied to the power section.

Input voltage range	24 V DC ±15% (max. 37 V in 10 s)
Max. input current	2.2 A
Average input current for the frequency converter	0.9 A
Max cable length	75 m
Input capacitance load	<10 µF
Power-up delay	<0.6 s

Table 3.6 External 24 V DC supply specification

The inputs are protected.

Terminal numbers:

Terminal 35: - external 24 V DC supply.

Terminal 36: + external 24 V DC supply.

Follow these steps:

1. Remove the LCP or Blind Cover
2. Remove the Terminal Cover
3. Remove the Cable De-coupling Plate and the plastic cover underneath
4. Insert the 24 V DC Backup External Supply Option in the Option Slot
5. Mount the Cable De-coupling Plate
6. Attach the Terminal Cover and the LCP or Blind Cover.

When MCB 107, 24 V backup option is supplying the control circuit, the internal 24 V supply is automatically disconnected.

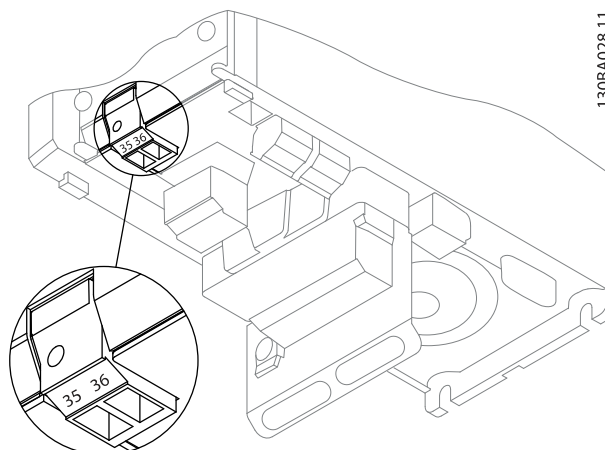


Illustration 3.10 Connection to 24 V Backup Supplier (A2-A3).

130BA028.11

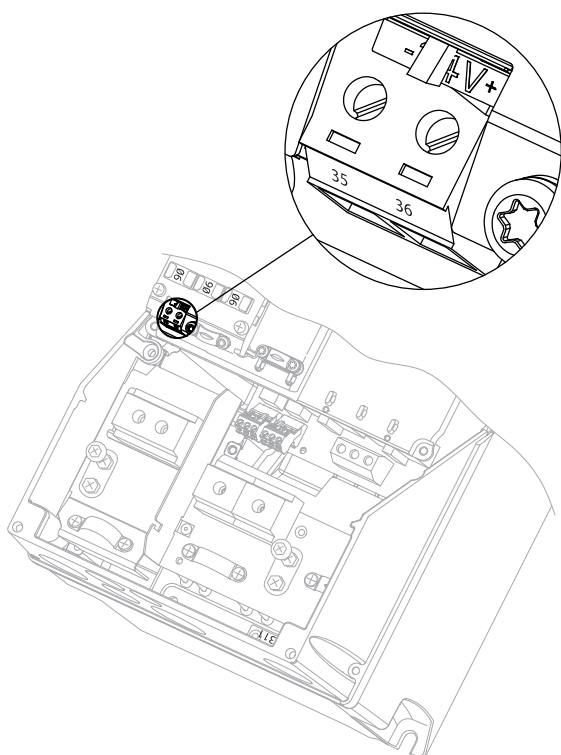
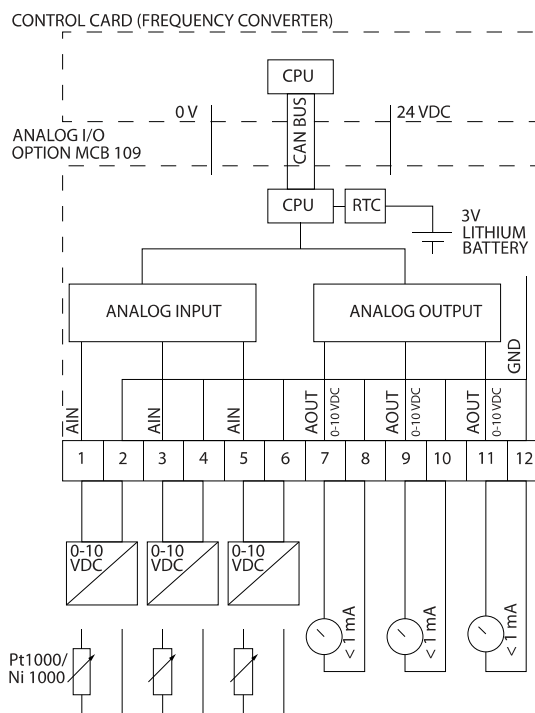


Illustration 3.11 Connection to 24 V Backup Supplier (A5-C2).

130BA216.10



130BA405.11

Illustration 3.12 Principle diagram for Analog I/O mounted in frequency converter.

3.1.9 Analog I/O option MCB 109

The Analog I/O card is supposed to be used in e.g. the following cases:

- Providing battery back-up of clock function on control card
- As general extension of analog I/O selection available on control card, e.g. for multi-zone control with three pressure transmitters
- Turning frequency converter into de-central I/O block supporting Building Management System with inputs for sensors and outputs for operating dampers and valve actuators
- Support Extended PID controllers with I/Os for set point inputs, transmitter/sensor inputs and outputs for actuators.

Analog I/O configuration

3 x Analog Inputs, capable of handling following:

- 0 - 10 V DC
- OR
- 0-20 mA (voltage input 0-10 V) by mounting a 510 Ω resistor across terminals (see **NOTE**)
 - 4-20 mA (voltage input 2-10 V) by mounting a 510 Ω resistor across terminals (see **NOTE**)
 - Ni1000 temperature sensor of 1000 Ω at 0° C. Specifications according to DIN43760
 - Pt1000 temperature sensor of 1000 Ω at 0° C. Specifications according to IEC 60751

3 x Analog Outputs supplying 0-10 V DC.

NOTE

Note the values available within the different standard groups of resistors:

E12: Closest standard value is 470 Ω, creating an input of 449.9 Ω and 8.997 V.

E24: Closest standard value is 510 Ω, creating an input of 486.4Ω and 9.728 V.

E48: Closest standard value is 511 Ω, creating an input of 487.3 Ω and 9.746 V.

E96: Closest standard value is 523 Ω, creating an input of 498.2 Ω and 9.964 V.

Analog inputs - terminal X42/1-6

Parameter group for read out: 18-3*. See also VLT® Refrigeration Drive FCR 103 Programming Guide, MG11C.

Parameter groups for set-up: 26-0*, 26-1*, 26-2* and 26-3*. See also VLT® Refrigeration Drive FCR 103 Programming Guide, MG11CXY.

3 x Analog inputs	Operating range	Resolution	Accuracy	Sampling	Max load	Impedance
Used as temperature sensor input	-50 to +150 °C	11 bits	-50 °C ±1 Kelvin +150 °C ±2 Kelvin	3 Hz	-	-
Used as voltage input	0 - 10 V DC	10 bits	0.2% of full scale at cal. temperature	2.4 Hz	± 20 V continuously	Approximately 5 kΩ

Table 3.7

When used for voltage, analog inputs are scalable by parameters for each input.

When used for temperature sensor, analog inputs scaling is preset to necessary signal level for specified temperature span.

When analog inputs are used for temperature sensors, it is possible to read out feedback value in both °C and °F.

When operating with temperature sensors, maximum cable length to connect sensors is 80 m non-screened / non-twisted wires.

Analog outputs - terminal X42/7-12

Parameter group for read out and write: 18-3*. See also VLT® Refrigeration Drive FCR 103 Programming Guide, MG16H

Parameter groups for set-up: 26-4*, 26-5* and 26-6*. See also VLT® Refrigeration Drive FCR 103 Programming Guide, MG16H

3 x Analog outputs	Output signal level	Resolution	Linearity	Max load
Volt	0-10 V DC	11 bits	1% of full scale	1 mA

Table 3.8

Analog outputs are scalable by parameters for each output.

The function assigned is selectable via a parameter and have same options as for analog outputs on control card.

For a more detailed description of parameters, refer to the VLT® Refrigeration Drive FCR 103 Programming Guide, MG11C.

Real-time clock (RTC) with back-up

The data format of RTC includes year, month, date, hour, minutes and weekday.

Accuracy of clock is better than ± 20 ppm at 25 °C.

The built-in lithium back-up battery lasts on average for minimum 10 years, when frequency converter is operating at 40 °C ambient temperature. If battery pack back-up fails, analog I/O option must be exchanged.

3

3.1.10 The LonWorks Option

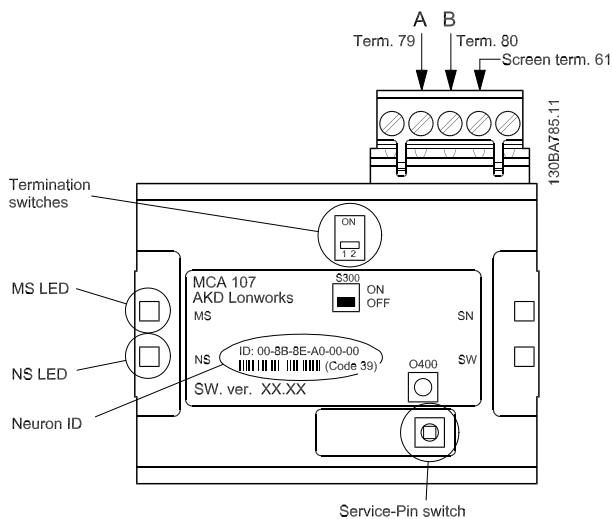


Illustration 3.13

S300 switches between:

- OFF: No Termination (factory setting)

and

- ON: Single termination (120 Ω)

The push-button switch O400, activates the Service-Pin function.

The LEDs:

LED label	Description
MS	Service LED (red)
NS	Status LED (green)

Table 3.9

The neuron ID is printed on the option in text and in barcode (code 39).

3.1.11 Cabling

For information on cabling, refer to data communication between VLT® Refrigeration Drive controls RC8AC402.

3.1.12 Maximum Cable Lengths

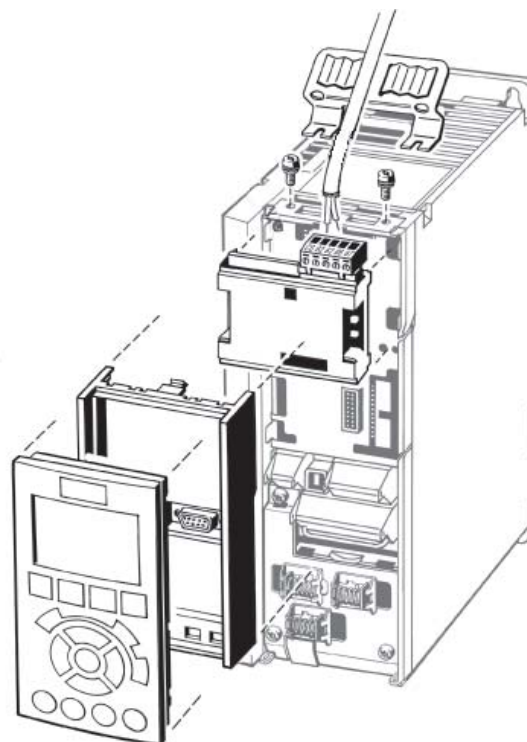
Refer to *Data Communication Installation Guide RC8AC602*.

3.1.13 How to Install Option in Frequency Converter

Items required to install a fieldbus option in the frequency converter:

- The fieldbus option
- Fieldbus option adaptor frame for the FC 103. This frame is deeper than the standard frame, to allow space for the fieldbus option beneath
- Decoupling plate (only for A1 and A2 enclosures)

Refer to 5 *How to Install* for connections.



130BT611.10

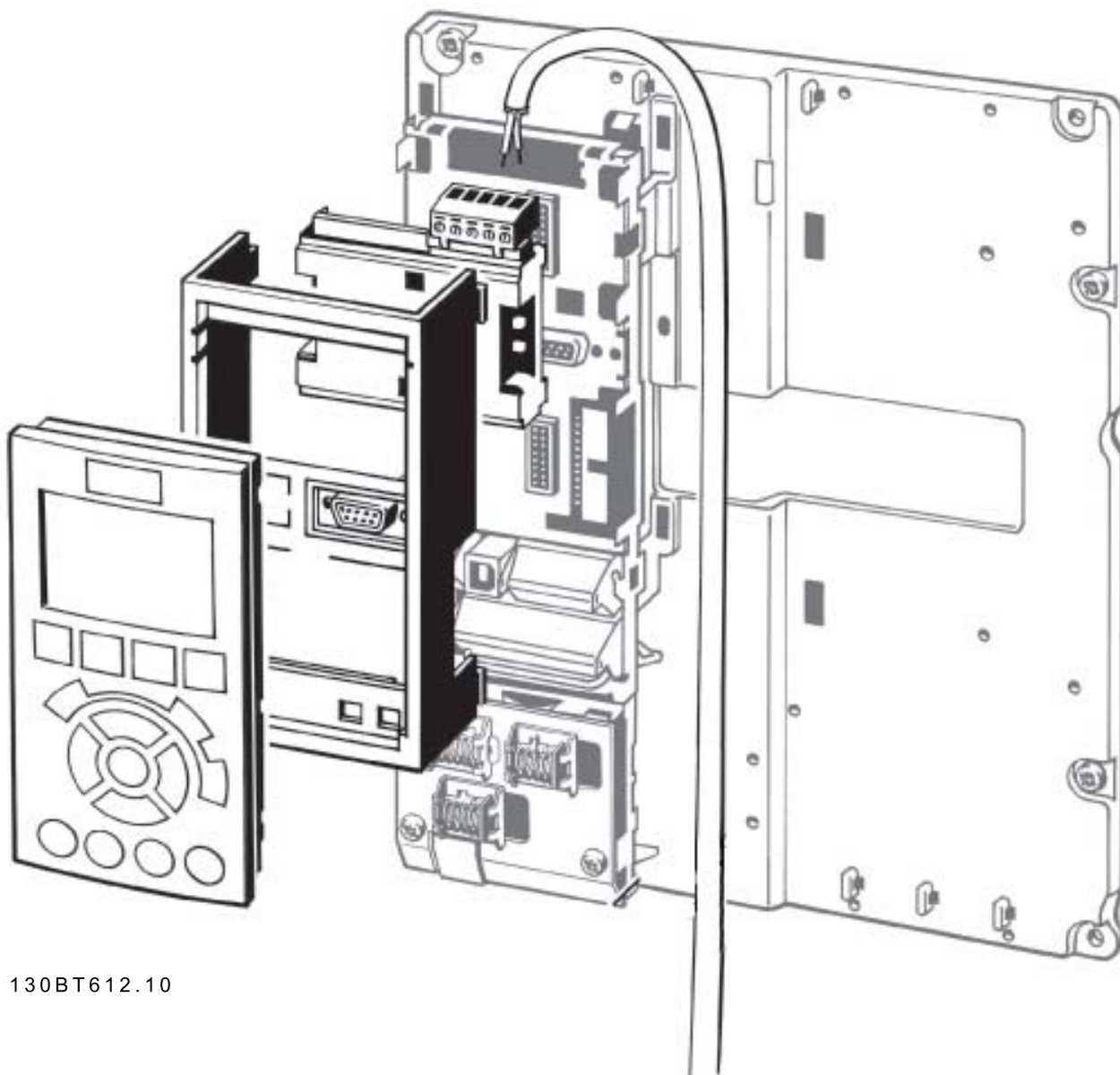
Illustration 3.14

Note, for connection of screen, refer to *Illustration 3.13*.

Instructions:

- Remove LCP panel from the FC 103
- Remove the frame located beneath and discard
- Push the option into place. Two positions are possible, with cable terminal facing either up or down

- Push the fieldbus option adaptor frame for the FC 103 into place
- Replace the LCP and attach cable
- On A1 and A2 enclosures with cable terminal facing up: Fasten the cable onto the de-coupling plate (the FC 103 top surface has pre-drilled threaded holes for attaching the de-coupling plate to the unit).



130BT612.10

Illustration 3.15

Note, for connection of screen, refer to the graphic in *3.1.10 The LonWorks Option*

The LCP can be moved to the front of a cabinet by using the remote built-in kit. The enclosure is the IP66. The fastening screws must be tightened with a torque of max. 1Nm.

Enclosure	IP66 front
	3 m
	8 m for option
Max. cable length between and unit	130B1129
Communication std	RS-485

Table 3.10 Technical Data

3

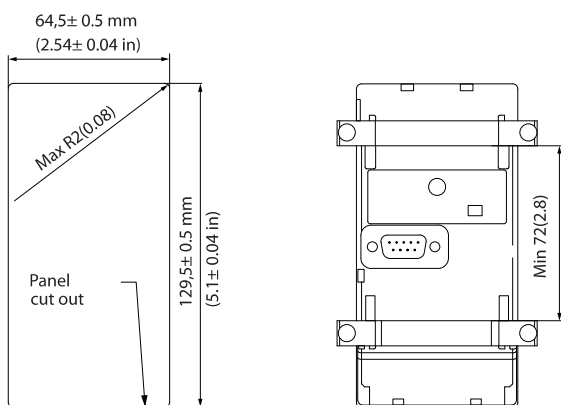


Illustration 3.16

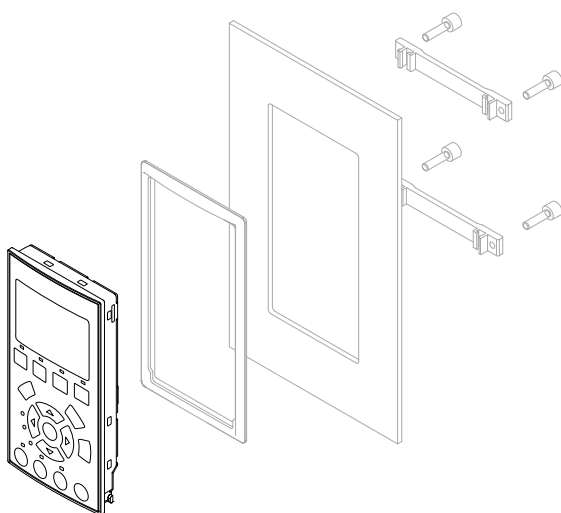


Illustration 3.17 LCP Kit with Graphical LCP, Fasteners, 3 m Cable and Gasket
Ordering No. 130B1113

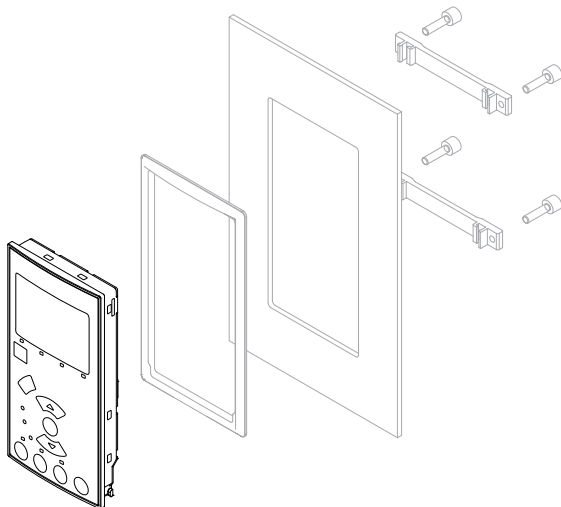


Illustration 3.18 LCP Kit with Numerical LCP, Fastenes and Gasket
Ordering no. 130B1114

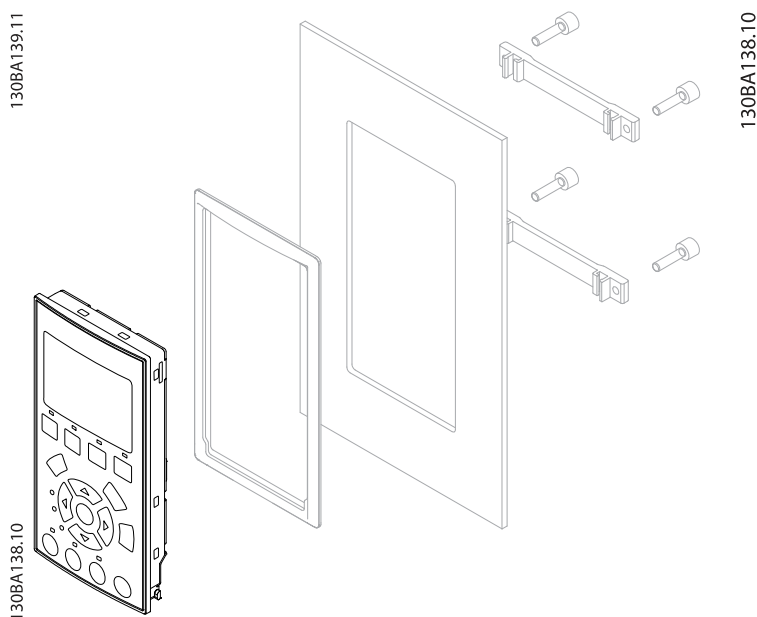


Illustration 3.19 Not for US

The LCP can be moved to the front of a cabinet by using the remote built-in kit. The enclosure is the IP66. The fastening screws must be tightened with a torque of max. 1Nm.

Enclosure	IP66 front
Max. cable length between and unit	3 m
Communication std	RS-485

Table 3.11 Technical Data

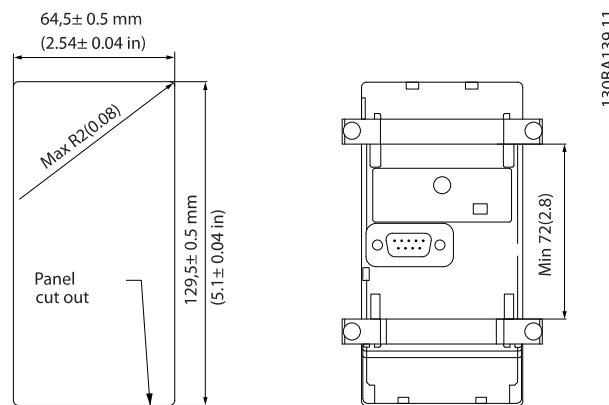


Illustration 3.20

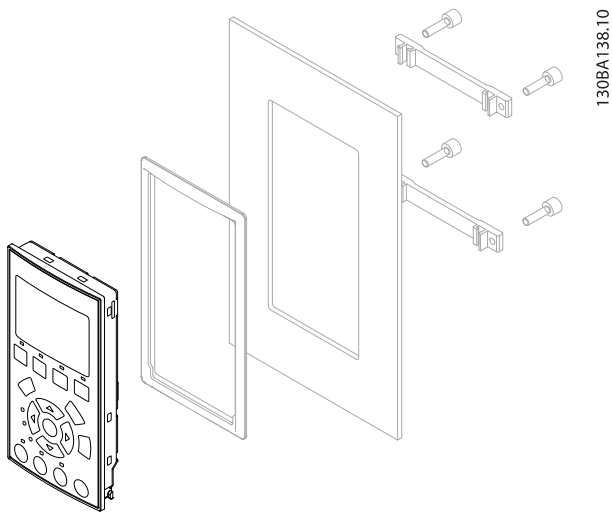


Illustration 3.21 LCP Kit with Graphical LCP, Fasteners, 3 m Cable and Gasket
Ordering No. 130B1113

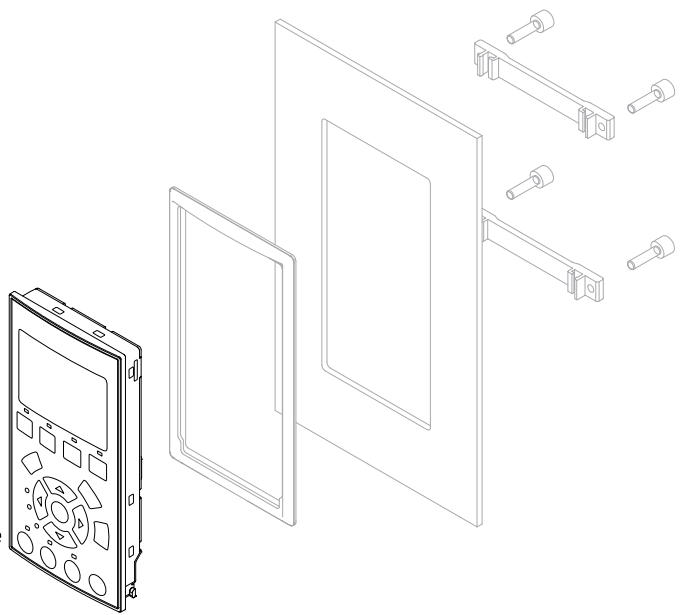


Illustration 3.23 Not for US

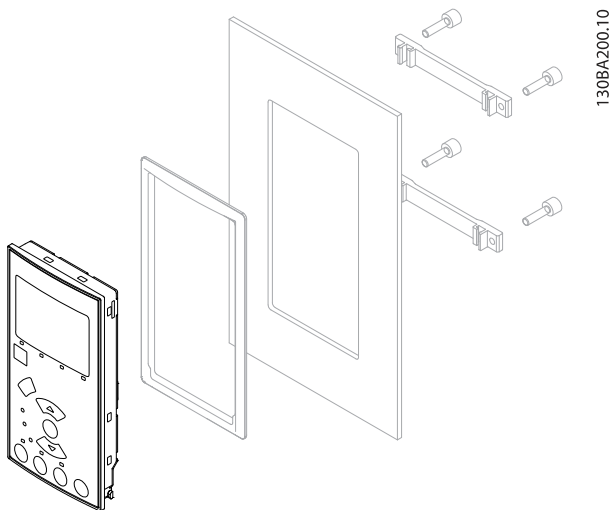


Illustration 3.22 LCP Kit with Numerical LCP, Fastenes and Gasket
Ordering no. 130B1114

3.1.14 IP21/IP41/ TYPE 1 Enclosure Kit

IP 21/IP 41 top/ TYPE 1 is an optional enclosure element available for IP20 Compact units, enclosure size A2-A3, B3+B4 and C3+C4.

If the enclosure kit is used, an IP20 unit is upgraded to comply with enclosure IP21/ 41 top/TYPE 1.

The IP41 top can be applied to all standard IP20 VLT® Refrigeration Drive FCR 103 variants.

3.1.15 IP 21/Type 1 Enclosure Kit

3

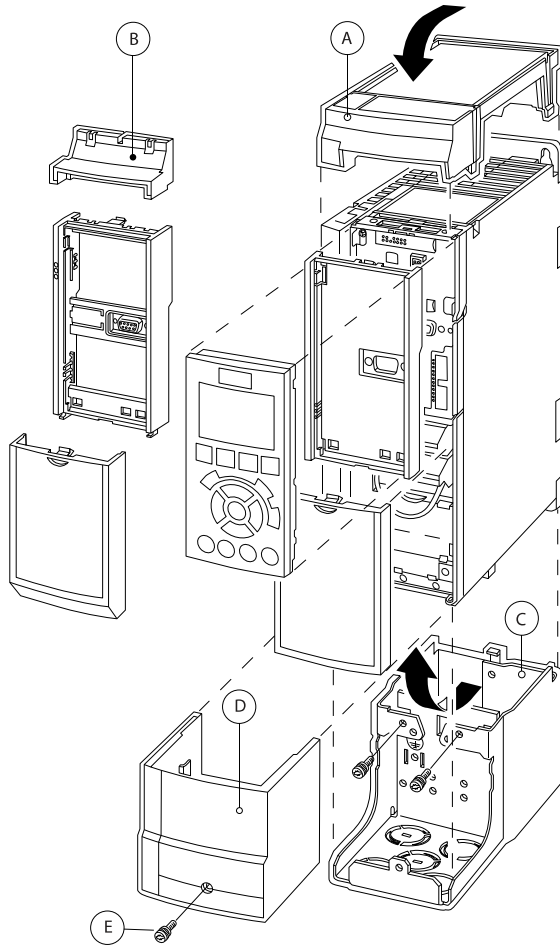


Illustration 3.24 A2 Enclosure

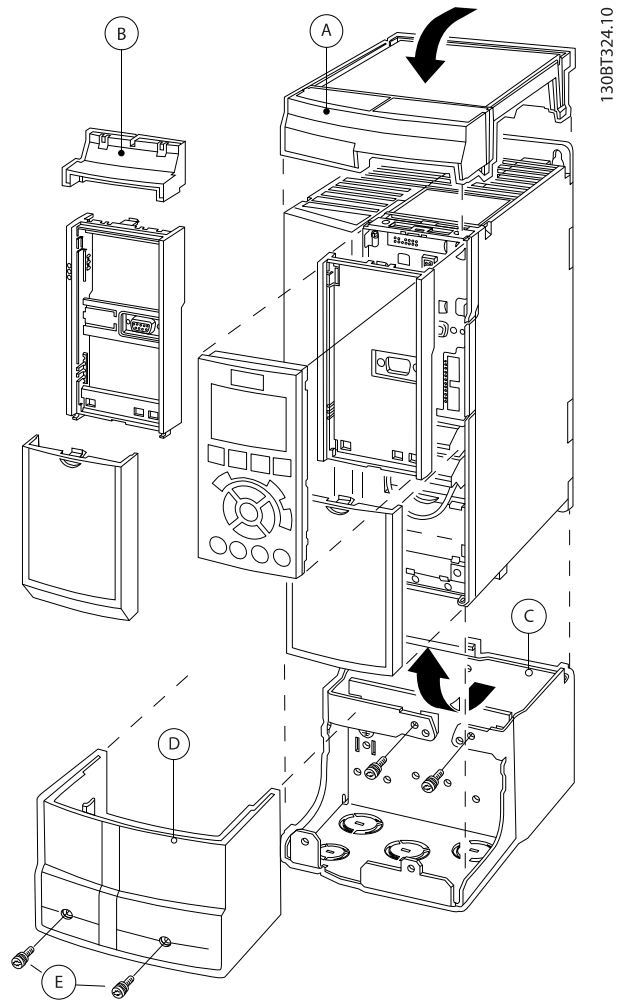


Illustration 3.25 A3 Enclosure

A	Top cover
B	Brim
C	Base part
D	Base cover
E	Screw(s)

Table 3.12

Place the top cover as shown. If an A or B option is used the brim must be fitted to cover the top inlet. Place the base part C at the bottom of the frequency converter and use the clamps from the accessory bag to correctly fasten the cables. Holes for cable glands:
 Size A2: 2x M25 and 3xM32
 Size A3: 3xM25 and 3xM32

Dimensions			
Enclosure type	Height [mm]	Width [mm]	Depth [mm]
	A	B	C*
A2	372	90	205
A3	372	130	205
B3	475	165	249
B4	670	255	246
C3	755	329	337
C4	950	391	337

* If option A/B is used, the depth will increase (see 5.1.2 Mechanical Dimensions for details)

Table 3.13

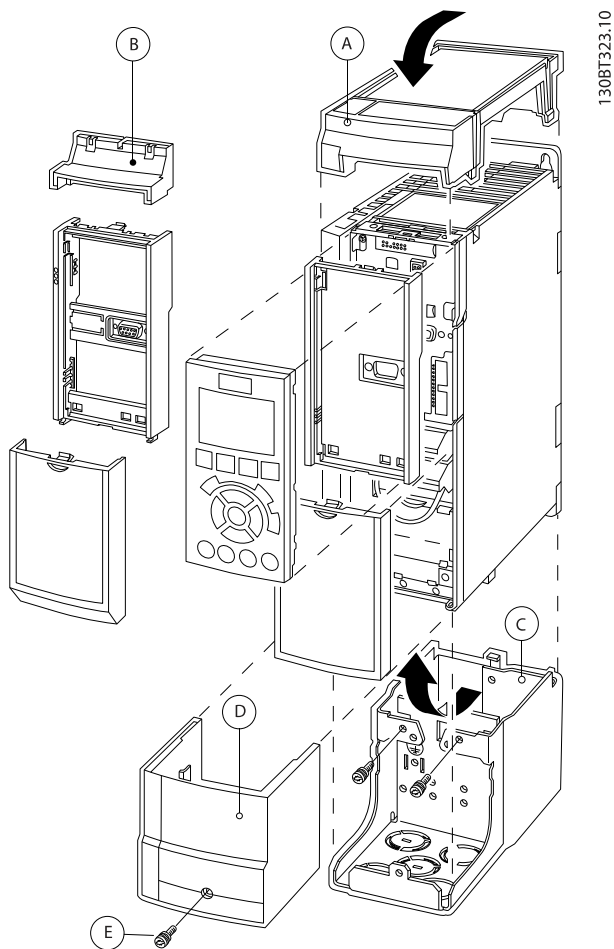


Illustration 3.26 B3 Enclosure

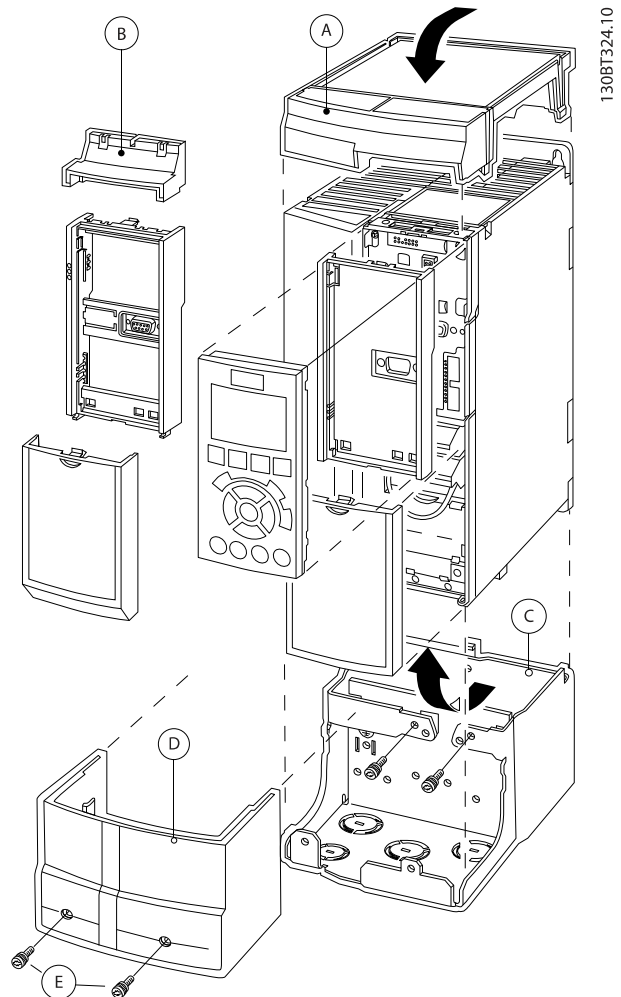


Illustration 3.27 B4 - C3 - C4 Enclosure

A	Top cover
B	Brim
C	Base part
D	Base cover
E	Screw(s)
F	Fan cover
G	Top clip

Table 3.14

NOTE

Side-by-side installation is not possible when using the IP 21/IP 4X/TYPE 1 Enclosure Kit

3.1.16 Output Filters

The high speed switching of the frequency converter produces some secondary effects, which influence the motor and the enclosed environment. These side effects are addressed by two different filter types, the du/dt and the Sine-wave filter.

du/dt filters

Motor insulation stresses are often caused by the combination of rapid voltage and current increase. The rapid energy changes can also be reflected back to the DC-line in the inverter and cause shut down. The du/dt filter is designed to reduce the voltage rise time/the rapid energy change in the motor and by that intervention avoid premature aging and flashover in the motor insulation. du/dt filters have a positive influence on the radiation of magnetic noise in the cable that connects the frequency converter to the motor. The voltage wave form is still pulse shaped but the du/dt ratio is reduced in comparison with the installation without filter.

Sine-wave filters

Sine-wave filters are designed to let only low frequencies pass. High frequencies are consequently shunted away which results in a sinusoidal phase to phase voltage waveform and sinusoidal current waveforms.

With the sinusoidal waveforms the use of special frequency converter motors with reinforced insulation is no longer needed. The acoustic noise from the motor is also damped as a consequence of the wave condition.

Besides the features of the du/dt filter, the sine-wave filter also reduces insulation stress and bearing currents in the motor thus leading to prolonged motor lifetime and longer periods between services. Sine-wave filters enable use of longer motor cables in applications where the motor is installed far from the frequency converter. The length is unfortunately limited because the filter does not reduce leakage currents in the cables.

4 How to Order

4.1 Ordering Form

4.1.1 Drive Configurator

It is possible to design a frequency converter according to the application requirements by using the ordering number system.

Order the frequency converter as either standard or with integral options by sending a type code string describing the product to the local Danfoss sales office, i.e.:

FC-103-102P18KT4E21H1XGCXXXSXXXAGBKXXXXDX

The meaning of the characters in the string can be located in the pages containing the ordering numbers in *3 Drive Selection*. In the example above, a AKD LONworks option and a General purpose I/O option is included in the frequency converter.

Ordering numbers for frequency converter standard variants can also be located in *4 How to Order*.

From the Internet based Drive Configurator, you can configure the right frequency converter for the right application and generate the type code string. The Drive Configurator will automatically generate an eight-digit sales number to be delivered to your local sales office. Furthermore, you can establish a project list with several products and send it to a Danfoss sales representative.

The Drive Configurator can be found on the global Internet site: www.danfoss.com/drives.

4.1.2 Type Code String

1	2	3	4	5	6	7	8	9	10	11	12	13	14	15	16	17	18	19	20	21	22	23	24	25	26	27	28	29	30	31	32	33	34	35	36	37	38	39
FC-	0	P																			X	X	S	X	X	X	A	B	C									D

130BA859.10

Illustration 4.1

Description	Pos	Possible choice
Product group & VLT Series	1-6	FC 103
Power rating	8-10	1.1-250 kW (P1K1-P250)
Number of phases	11	Three phases (T)
Mains voltage	11-12	T 2: 200-240 V AC T 4: 380-480 V AC

Example of Drive Configurator interface set-up:

The numbers shown in the boxes refer to the letter/figure number of the Type Code String - read from left to right.

Product groups	1-3	<input type="text"/>
Frequency converter series	4-6	<input type="text"/>
Power rating	8-10	<input type="text"/>
Phases	11	<input type="text"/>
Mains Voltage	12	<input type="text"/>
Enclosure	13-15	<input type="text"/>
Enclosure type		<input type="text"/>
Enclosure class		<input type="text"/>
Control supply voltage		<input type="text"/>
Hardware configuration		<input type="text"/>
RFI filter	16-17	<input type="text"/>
Brake	18	<input type="text"/>
Display (LCP)	19	<input type="text"/>
Coating PCB	20	<input type="text"/>
Mains option	21	<input type="text"/>
Adaptation A	22	<input type="text"/>
Adaptation B	23	<input type="text"/>
Software release	24-27	<input type="text"/>
Software language	28	<input type="text"/>
A options	29-30	<input type="text"/>
B options	31-32	<input type="text"/>
D options	38-39	<input type="text"/>

Table 4.1

Description	Pos	Possible choice
Enclosure	13-15	E20: IP20 E21: IP 21/NEMA Type 1 E55: IP 55/NEMA Type 12 E66: IP66 P21: IP21/NEMA Type 1 w/ backplate P55: IP55/NEMA Type 12 w/ backplate Z55: A4 Frame IP55 Z66: A4 Frame IP66
RFI filter	16-17	H1: RFI filter class A1/B H2: RFI filter class A2 H4: RFI filter class A2/A1
Display	19	G: Graphical Local Control Panel (GLCP) X: No Local Control Panel
Coating PCB	20	X: No coated PCB C: Coated PCB
Mains option	21	X: No Mains disconnect switch 1: With Mains disconnect switch (IP55 only)
Adaptation	22	Reserved
Adaptation	23	Reserved
Software release	24-27	Actual software
Software language	28	
A options	29-30	AX: No options AZ: MCA 107 FC 103 LonWorks
B options	31-32	BX: No option BK: MCB 101 General purpose I/O option BP: MCB 105 Relay option BO: MCB 109 Analog I/O option
C0 options MCO	33-34	CX: No options
C1 options	35	X: No options
C option software	36-37	XX: Standard software
D options	38-39	DX: No option D0: DC back-up MCB 107

Table 4.2 Type Code Description

4.2 Ordering Numbers

4.2.1 Ordering Numbers: Options and Accessories

NOTE

Options can be ordered as factory built-in options, see ordering information

Type	Description	Ordering no.
Miscellaneous hardware I		
DC link connector	Terminal block for DC link connection on A2/A3	130B1064
IP 21/4X top/TYPE 1 kit	IP21/NEMA1 Top + bottom A2	130B1122
IP 21/4X top/TYPE 1 kit	IP21/NEMA1 Top + bottom A3	130B1123
IP 21/4X top/TYPE 1 kit	IP21/NEMA1 Top + bottom B3	130B1187
IP 21/4X top/TYPE 1 kit	IP21/NEMA1 Top + bottom B4	130B1189
IP 21/4X top/TYPE 1 kit	IP21/NEMA1 Top + bottom C3	130B1191
IP 21/4X top/TYPE 1 kit	IP21/NEMA1 Top + bottom C4	130B1193
IP21/4X top	IP21 Top Cover A2	130B1132
IP21/4X top	IP21 Top Cover A3	130B1133
IP 21/4X top	IP21 Top Cover B3	130B1188
IP 21/4X top	IP21 Top Cover B4	130B1190
IP 21/4X top	IP21 Top Cover C3	130B1192
IP 21/4X top	IP21 Top Cover C4	130B1194
Panel Through Mount Kit	Enclosure, frame size A5	130B1028
Panel Through Mount Kit	Enclosure, frame size B1	130B1046
Panel Through Mount Kit	Enclosure, frame size B2	130B1047
Panel Through Mount Kit	Enclosure, frame size C1	130B1048
Panel Through Mount Kit	Enclosure, frame size C2	130B1049

Type	Description	Ordering no.
Miscellaneous hardware I		
Terminal blocks	Screw terminal blocks for replacing spring loaded terminals 1 pc 10 pin 1 pc 6 pin and 1 pc 3 pin connectors	130B1116
Backplate	A5 IP55/NEMA 12	130B1098
Backplate	B1 IP21/IP55 / NEMA 12	130B3383
Backplate	B2 IP21/IP55 / NEMA 12	130B3397
Backplate	C1 IP21/IP55 / NEMA 12	130B3910
Backplate	C2 IP21/IP55 / NEMA 12	130B3911
Backplate	A5 IP66	130B3242
Backplate	B1 IP66	130B3434
Backplate	B2 IP66	130B3465
Backplate	C1 IP66	130B3468
Backplate	C2 IP66	130B3491
LCPs and kits		
LCP 102	Graphical Local Control Panel (GLCP)	130B1107
LCP cable	Separate LCP cable, 3 m	175Z0929
LCP kit	Panel mounting kit including graphical LCP, fasteners, 3 m cable and gasket	130B1113
LCP kit	Panel mounting kit including numerical LCP, fasteners and gasket	130B1114
LCP kit	Panel mounting kit for all LCPs including fasteners, 3 m cable and gasket	130B1117
LCPækit	Front mounting kit, IP55/IP66 enclosures, fasteners, 8 m cable and gasket	130B1129
LCP kit	Panel mounting kit for all LCPs including fasteners and gasket - without cable	130B1170

Table 4.3 Options and Accessories

Type	Description	Comments
Options for Slot A		Ordering no. Coated
Options for Slot B		
MCB 101	General purpose Input Output option	
MCB 105	Relay option	
MCB 109	Analog I/O option and battery back-up for real-time clock	130B1243
MCB 112	ATEX PTC	130B1137
MCB 114	Sensor input - unocated	130B1172
	Sensor input - coated	130B1272
Option for Slot D		
MCB 107	24 V DC back-up	130B1208
External Options		

Table 4.4

For information on fieldbus and application option compatibility with older software versions, please contact your Danfoss supplier.

Type	Description	Ordering no.	Comments
Spare Parts			
Control board FC	With Safe Stop Function	130B1150	
Control board FC	Without Safe Stop Function	130B1151	
Fan A2	Fan, frame size A2	130B1009	
Fan A3	Fan, frame size A3	130B1010	
Fan A5	Fan, frame size A5	130B1017	
Fan B1	Fan external, frame size B1	130B3407	
Fan B2	Fan external, frame size B2	130B3406	
Fan B3	Fan external, frame size B3	130B3563	
Fan B4	Fan external, 18.5/22 kW	130B3699	
Fan B4	Fan external 22/30 kW	130B3701	
Fan C1	Fan external, frame size C1	130B3865	
Fan C2	Fan external, frame size C2	130B3867	
Fan C3	Fan external, frame size C3	130B4292	
Fan C4	Fan external, frame size C4	130B4294	
Miscellaneous hardware II			
Accessory bag A2	Accessory bag, frame size A2	130B1022	
Accessory bag A3	Accessory bag, frame size A3	130B1022	
Accessory bag A5	Accessory bag, frame size A5	130B1023	
Accessory bag B1	Accessory bag, frame size B1	130B2060	
Accessory bag B2	Accessory bag, frame size B2	130B2061	
Accessory bag B3	Accessory bag, frame size B3	130B0980	
Accessory bag B4	Accessory bag, frame size B4	130B1300	Small
Accessory bag B4	Accessory bag, frame size B4	130B1301	Big
Accessory bag C1	Accessory bag, frame size C1	130B0046	
Accessory bag C2	Accessory bag, frame size C2	130B0047	
Accessory bag C3	Accessory bag, frame size C3	130B0981	
Accessory bag C4	Accessory bag, frame size C4	130B0982	Small
Accessory bag C4	Accessory bag, frame size C4	130B0983	Big

Table 4.5

4.2.2 Ordering Numbers: Harmonic Filters

Harmonic filters are used to reduce mains harmonics.

For ordering numbers, see *AHF 005/010 Design Guide, MG80C*.

NOTE

Be aware that only VLT® Refrigeration Drives running SW v. 1.1x or above support the use of AHF and SWF filters. dU/dt filters are supported and can be used on any software version.

4.2.3 Ordering Numbers: Sine Wave Filter Modules, 200-500 V AC

Frequency converter size			Minimum switching frequency	Maximum output frequency	Part No. IP20	Part No. IP00	Rated filter current at 50 Hz
200-240 V	380-440V	440-500V					
PK25	PK37	PK37	5 kHz	120 Hz	130B2439	130B2404	2.5 A
PK37	PK55	PK55	5 kHz	120 Hz	130B2439	130B2404	2.5 A
	PK75	PK75	5 kHz	120 Hz	130B2439	130B2404	2.5 A
PK55	P1K1	P1K1	5 kHz	120 Hz	130B2441	130B2406	4.5 A
	P1K5	P1K5	5 kHz	120 Hz	130B2441	130B2406	4.5 A
PK75	P2K2	P2K2	5 kHz	120 Hz	130B2443	130B2408	8 A
P1K1	P3K0	P3K0	5 kHz	120 Hz	130B2443	130B2408	8 A
P1K5			5 kHz	120 Hz	130B2443	130B2408	8 A
	P4K0	P4K0	5 kHz	120 Hz	130B2444	130B2409	10 A
P2K2	P5K5	P5K5	5 kHz	120 Hz	130B2446	130B2411	17 A
P3K0	P7K5	P7K5	5 kHz	120 Hz	130B2446	130B2411	17 A
P4K0			5 kHz	120 Hz	130B2446	130B2411	17 A
P5K5	P11K	P11K	4 kHz	60 Hz	130B2447	130B2412	24 A
P7K5	P15K	P15K	4 kHz	60 Hz	130B2448	130B2413	38 A
	P18K	P18K	4 kHz	60 Hz	130B2448	130B2413	38 A
P11K	P22K	P22K	4 kHz	60 Hz	130B2307	130B2281	48 A
P15K	P30K	P30K	3 kHz	60 Hz	130B2308	130B2282	62 A
P18K	P37K	P37K	3 kHz	60 Hz	130B2309	130B2283	75 A
P22K	P45K	P55K	3 kHz	60 Hz	130B2310	130B2284	115 A
P30K	P55K	P75K	3 kHz	60 Hz	130B2310	130B2284	115 A
P37K	P75K	P90K	3 kHz	60 Hz	130B2311	130B2285	180 A
P45K	P90K	P110	3 kHz	60 Hz	130B2311	130B2285	180 A
	P110	P132	3 kHz	60 Hz	130B2312	130B2286	260 A
	P132	P160	3 kHz	60 Hz	130B2312	130B2286	260 A
	P160	P200	3 kHz	60 Hz	130B2313	130B2287	410 A
	P200	P250	3 kHz	60 Hz	130B2313	130B2287	410 A
	P250	P315	3 kHz	60 Hz	130B2314	130B2288	480 A
	P315	P355	2 kHz	60 Hz	130B2315	130B2289	660 A

Table 4.6 Mains supply 3x200 to 500 V

NOTE

When using Sine-wave filters, the switching frequency should comply with filter specifications in *14-01 Switching Frequency*.

NOTE

See also Output Filter Design Guide, MG90N

4.2.4 Ordering Numbers: dU/dt Filters

NOTE

For ordering numbers for dU/dt filters, see *Output Filter Design Guide, MG90N*

5 How to Install

5.1 Mechanical Installation

5.1.1 Mechanical Front Views

5

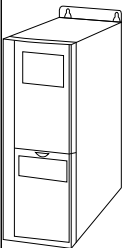
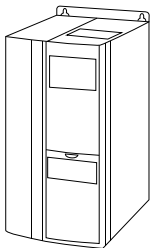
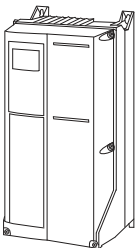
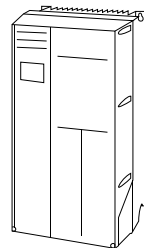
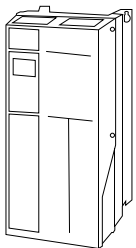
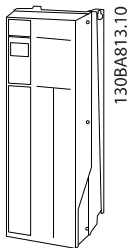
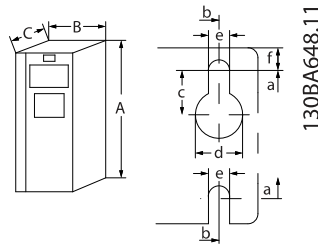
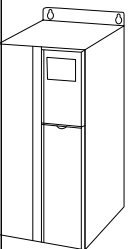
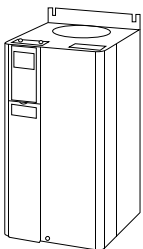
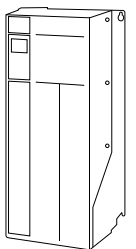
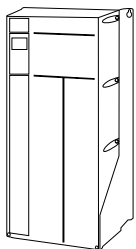
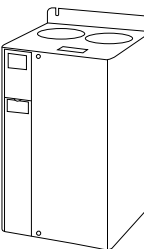
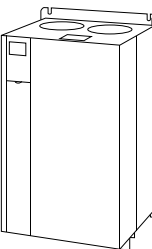
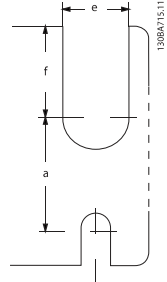
A2	A3	A4	A5	B1	B2
					
130BA809.10	130BA810.10	130BB458.10	130BA811.10	130BA812.10	130BA813.10
IP20/21*	IP20/21*	IP55/66	IP55/66	IP21/55/66	IP21/55/66
 <p>Top and bottom mounting holes.</p>					
B3	B4	C1	C2	C3	C4
					
130BA826.10	130BA827.10	130BA814.10	130BA815.10	130BA828.10	130BA829.10
IP20/21*	IP20/21*	IP21/55/66	IP21/55/66	IP20/21*	IP20/21*
 <p>Top and bottom mounting holes. (B4+C3+C4 only)</p>					
<p>Accessory bags containing necessary brackets, screws and connectors are included with the frequency converter upon delivery.</p>					
<p>* IP21 can be established with a kit as described in 3.1.14 IP21/IP41/ TYPE 1 Enclosure Kit.</p>					

Table 5.1

5.1.2 Mechanical Dimensions

Mechanical Dimensions												
Frame size [kW]:	A2	A3	A4	A5	B1	B2	B3	B4	C1	C2	C3	C4
200-240 V	1.1-2.2	3.0-3.7	1.1-2.2	1.1-3.7	5.5-11	15	5.5-11	15-18.5	18.5-30	37-45	22-30	37-45
380-480 V	1.1-4.0	5.5-7.5	1.1-4.0	1.1-7.5	11-18.5	22-30	11-18.5	22-37	37-55	75-90	45-55	75-90
525-600 V	1.1-7.5	1.1-7.5	1.1-7.5	1.1-7.5	11-18.5	11-30	11-18.5	22-37	37-55	37-90	45-55	75-90
525-690 V						11-30				37-90		
IP	20	21	55/66	55/66	21/ 55/66	21/ 55/66	20	20	21/ 55/66	21/ 55/66	20	20
NEMA	Chassis	Type 1	Type 1	Type 12	Type 1/12	Type 1/12	Chassis	Chassis	Type 1/12	Type 1/12	Chassis	Chassis
Height [mm]												
Enclosure	A**	246	372	390	420	480	650	460	680	770	490	600
..with de-coupling plate	A2	374	-	-	-	-	-	419	-	-	630	800
Back plate	A1	268	375	390	420	480	650	520	680	770	550	660
Distance between mount. holes	a	257	350	401	402	454	624	380	648	739	521	631
Width [mm]												
Enclosure	B	90	130	200	242	242	242	165	308	370	308	370
With one C option	B	130	170		242	242	242	205	308	370	308	370
Back plate	B	90	130	200	242	242	242	165	308	370	308	370
Distance between mount. holes	b	70	110	171	215	210	210	140	272	334	270	330
Depth [mm]												
Without option A/B	C	205	205	175	200	260	260	248	310	335	333	333
With option A/B	C*	220	220	175	200	260	260	262	310	335	333	333
Screw holes [mm]												
	c	8.0	8.0	8.2	8.2	12	12	8	12	12	-	-
Diameter ø	d	11	11	12	12	19	19	12	19	19	-	-
Diameter ø	e	5.5	5.5	6.5	6.5	9	9	6.8	9.0	9.0	8.5	8.5
	f	9	9	6	9	9	9	7.9	9.8	9.8	17	17
Max weight [kg]												
		4.9	5.3	9.7	14	23	27	12	45	65	35	50

* Depth of enclosure will vary with different options installed.

** The free space requirements are above and below the bare enclosure height measurement A. See 5.1.4 Mechanical Mounting for further information.

Table 5.2

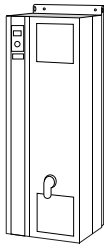
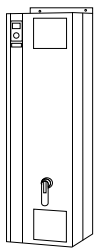
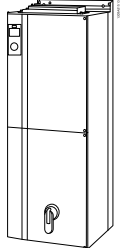
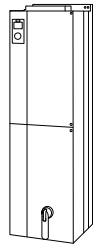
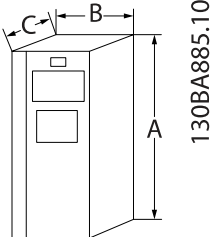
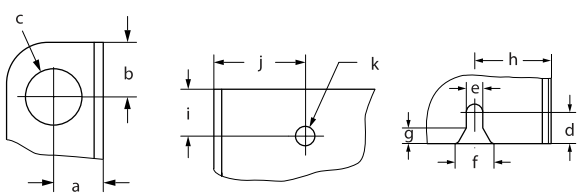
 130BA816.10	 130BA817.10	 IP00	 130BA820.10 IP00
 130BA885.10	 Lifting eye and mounting holes:		

Table 5.3

Enclosure size [kW]		D1	D2	D3	D4
380-480 V AC		110-132	160-250	110-132	160-250
IP		21/54	21/54	00	00
NEMA		Type 1/12	Type 1/12	Chassis	Chassis
Shipping dimensions [mm]					
Width		1730	1730	1220	1490
Height		650	650	650	650
Depth		570	570	570	570
FCDrive dimensions: (mm)					
Height					
Back plate	A	1209	1589	1046	1327
Width					
Back plate	B	420	420	408	408
Depth					
	C	380	380	375	375
Dimensions brackets [mm/inch]					
Centre hole to edge	a	22/0.9	22/0.9	22/0.9	22/0.9
Centre hole to edge	b	25/1.0	25/1.0	25/1.0	25/1.0
Hole diameter	c	25/1.0	25/1.0	25/1.0	25/1.0
	d	20/0.8	20/0.8	20/0.8	20/0.8
	e	11/0.4	11/0.4	11/0.4	11/0.4
	f	22/0.9	22/0.9	22/0.9	22/0.9
	g	10/0.4	10/0.4	10/0.4	10/0.4
	h	51/2.0	51/2.0	51/2.0	51/2.0
	i	25/1.0	25/1.0	25/1.0	25/1.0
	j	49/1.9	49/1.9	49/1.9	49/1.9
Hole diameter	k	11/0.4	11/0.4	11/0.4	11/0.4
Max weight [kg]		104	151	91	138

Contact Danfoss for more detailed information and CAD drawings for your own planning purposes.

Table 5.4 Mechanical Dimensions

5.1.3 Accessory Bags

<p>130B4406.10</p>	<p>130B1330.10</p>	<p>130B1339.10</p>	<p>130B1309.10</p>
<p>01'69E180E1</p>	<p>130B1348.10</p>	<p>130B1347.10</p>	<p>130B1346.10</p>
<p>Frame sizes C1 and C2</p>			
<p>Frame sizes B1 and B2</p>			
<p>Frame size A5</p>			
<p>Frame sizes A1, A2 and A3</p>			
<p>Frame size C4</p>			
<p>Frame size C3</p>			
<p>Frame size B4</p>			
<p>Frame size B3</p>			
<p>1 + 2 only available in units with brake chopper. For DC link connection (Load sharing) the connector 1 can be ordered separately (Code no. 130B1064)</p>			
<p>An eight pole connector is included in accessory bag for FCR 103 without Safe Stop.</p>			

Table 5.5 Accessory Bags: Find the Following Parts included in the Frequency Converter Accessory Bags

5.1.4 Mechanical Mounting

All A, B and C enclosures allow side-by-side installation. Exception: If a IP21 kit is used, there has to be a clearance between the enclosures. For enclosures A2, A3, A4, B3, B4 and C3 the minimum clearance is 50 mm, for C4 it is 75 mm.

For optimal cooling conditions allow a free air passage above and below the frequency converter. See Table 5.6.

5

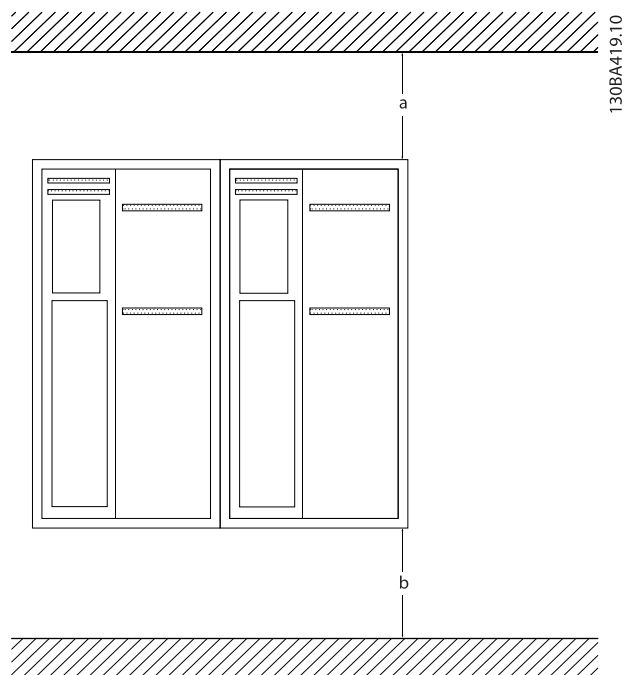


Illustration 5.1

Enclosure:	A2	A3	A4	A5	B1	B2
a/b [mm]	100	100	100	100	200	200
Enclosure:	B3	B4	C1	C2	C3	C4
a/b [mm]	200	200	200	225	200	225

Table 5.6 Air Passage for Different Enclosures

1. Drill holes in accordance with the measurements given.
2. Provide screws suitable for the surface on which you want to mount the frequency converter. Retighten all four screws.

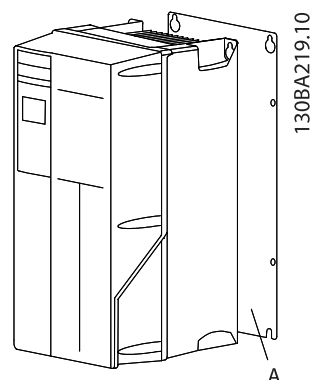


Illustration 5.2

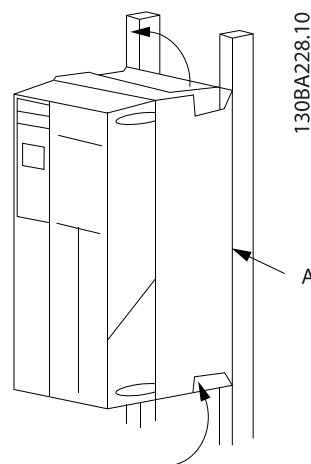


Illustration 5.3

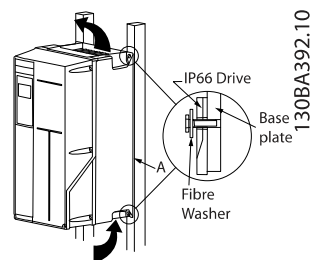


Illustration 5.4

NOTE

When mounting enclosure sizes A4, A5, B1, B2, B3, B4, C1, C2, C3 and C4 on a non-solid back wall, the frequency converter must be provided with a back plate A due to insufficient cooling air over the heat sink.

5.1.5 Lifting

Always lift the frequency converter in the dedicated lifting eyes. For all D enclosures, use a bar to avoid bending the lifting holes of the frequency converter.

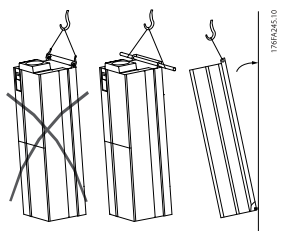


Illustration 5.5 Recommended Lifting Method, Size D.

⚠ WARNING

The lifting bar must be able to handle the weight of the frequency converter. See 5.1.2 *Mechanical Dimensions* for the weight of the different frame sizes. Maximum diameter for bar is 2.5 cm (1 inch). The angle from the top of the drive to the lifting cable should be 60° or greater.

5.1.6 Safety Requirements of Mechanical Installation

⚠ WARNING

Pay attention to the requirements that apply to integration and field mounting kit. Observe the information in the list to avoid serious injury or equipment damage, especially when installing large units.

CAUTION

The frequency converter is cooled by means of air circulation.

To protect the unit from overheating, it must be ensured that the ambient temperature *does not exceed the maximum temperature stated for the frequency converter* and that the 24-hour average temperature *is not exceeded*. Locate the maximum temperature and 24-hour average in 8.5.2 *Derating for Ambient Temperature*.

If the ambient temperature is in the range of 45 °C - 55 °C, derating of the frequency converter will become relevant, see 8.5.2 *Derating for Ambient Temperature*.

The service life of the frequency converter is reduced if derating for ambient temperature is not taken into account.

5.1.7 Field Mounting

IP 21/IP 4X top/TYPE 1 kits or IP 54/55 units are recommended.

5.2 Electrical Installation

5.2.1 Cables General

NOTE

For the VLT® Refrigeration Drive FCR 103 High Power series mains and motor connections, see VLT® Refrigeration Drive 110-250 kW, MG16F.

NOTE

Cables General

All cabling must comply with national and local regulations on cable cross-sections and ambient temperature. Copper (60/75 °C) conductors are recommended.

5

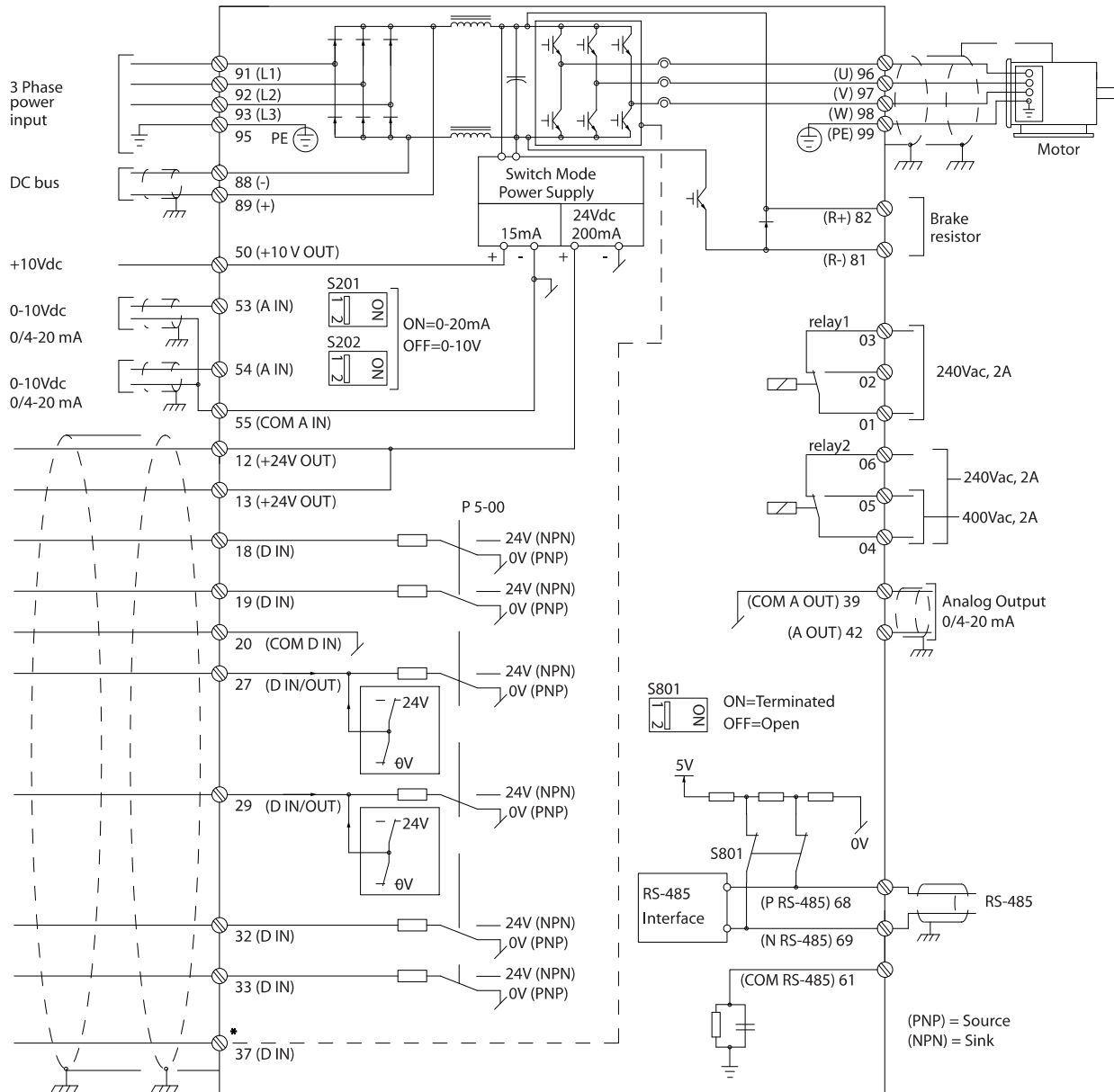
Enclosure	Power [kW]		Torque [Nm]					
	200-240 V	380-480 V	Mains	Motor	DC connection	Brake	Earth	Relay
A2	1.1-3.0	1.1-4.0	1.8	1.8	1.8	1.8	3	0.6
A3	3.7	5.5-7.5	1.8	1.8	1.8	1.8	3	0.6
A4	1.1-2.2	1.1-4 kW	1.8	1.8	1.8	1.8	3	0.6
A5	1.1-3.7	1.1-7.5	1.8	1.8	1.8	1.8	3	0.6
B1	5.5-11	11-18.5	1.8	1.8	1.5	1.5	3	0.6
B2	-	22	4.5	4.5	3.7	3.7	3	0.6
	15	30	4.5 ²⁾	4.5 ²⁾	3.7	3.7	3	0.6
B3	5.5-11	11-18.5	1.8	1.8	1.8	1.8	3	0.6
B4	11-18.5	18.5-37	4.5	4.5	4.5	4.5	3	0.6
C1	18.5-30	37-55	10	10	10	10	3	0.6
C2	37-45	75-90	14/24 ¹⁾	14/24 ¹⁾	14	14	3	0.6
C3	18.5-30	37-55	10	10	10	10	3	0.6
C4	30-45	55-90	14/24 ¹⁾	14/24 ¹⁾	14	14	3	0.6
High Power								
Enclosure		380-480 V	Mains	Motor	DC connection	Brake	Earth	Relay
D1/D3		110-132	19	19	9.6	9.6	19	0.6
D2/D4		160-250	19	19	9.6	9.6	19	0.6

Table 5.7 Tightening of Terminals

1) For different cable dimensions x/y , where $x \leq 95 \text{ mm}^2$ and $y \geq 95 \text{ mm}^2$

2) Cable dimensions above $18.5 \text{ kW} \geq 35 \text{ mm}^2$ and below $22 \text{ kW} \leq 10 \text{ mm}^2$

5.2.2 Electrical Installation and Control Cables



130BA544.12

Illustration 5.6 Diagram Showing all Electrical Terminals. (Terminal 37 Present for Units with Safe Stop Function only.)

Terminal number	Terminal description	Parameter number	Factory default
1+2+3	Terminal 1+2+3-Relay1	5-40	Alarm Running
4+5+6	Terminal 4+5+6-Relay2	5-40	Alarm Running
12	Terminal 12 Supply	-	+24 V DC
13	Terminal 13 Supply	-	+24 V DC
18	Terminal 18 Digital Input	5-10	Start
19	Terminal 19 Digital Input	5-11	Reversing
20	Terminal 20	-	Common
27	Terminal 27 Digital Input/Output	5-12/5-30	Coast inverse
29	Terminal 29 Digital Input/Output	5-13/5-31	Jog
32	Terminal 32 Digital Input	5-14	No operation
33	Terminal 33 Digital Input	5-15	No operation
37	Terminal 37 Digital Input	-	Safe Stop
42	Terminal 42 Analog Output	6-50	Speed 0-HighLim
53	Terminal 53 Analog Input	3-15/6-1*/20-0*	Reference
54	Terminal 54 Analog Input	3-15/6-2*/20-0*	Feedback

Table 5.8 Terminal Connections

Very long control cables and analog signals may, in rare cases and depending on installation, result in 50/60 Hz earth loops due to noise from mains supply cables.

If this occurs, break the screen or insert a 100 nF capacitor between screen and chassis.

NOTE

The common of digital/analog inputs and outputs should be connected to separate common terminals 20, 39 and 55. This will avoid ground current interference among groups. For example, it avoids switching on digital inputs disturbing analog inputs.

NOTE

Control cables must be screened/armoured.

5.2.3 Motor Cables

See 8.1 *General Specifications* for maximum dimensioning of motor cable cross-section and length.

- Use a screened/armoured motor cable to comply with EMC emission specifications.
- Keep the motor cable as short as possible to reduce the noise level and leakage currents.
- Connect the motor cable screen to both the decoupling plate of the frequency converter and to the metal cabinet of the motor.
- Make the screen connections with the largest possible surface area (cable clamp). This is done by using the supplied installation devices in the frequency converter.

- Avoid mounting with twisted screen ends (pigtailed), which will spoil high frequency screening effects.
- If it is necessary to split the screen to install a motor isolator or motor relay, the screen must be continued with the lowest possible HF impedance.

Requirements

5.2.4 Electrical Installation of Motor Cables

Screening of cables

Avoid installation with twisted screen ends (pigtailed). They spoil the screening effect at higher frequencies.

If it is necessary to break the screen to install a motor isolator or motor contactor, the screen must be continued at the lowest possible HF impedance.

Cable length and cross-section

The frequency converter has been tested with a given length of cable and a given cross-section of that cable. If the cross-section is increased, the cable capacitance - and thus the leakage current - may increase, and the cable length must be reduced correspondingly.

Switching frequency

When frequency converters are used together with Sine-wave filters to reduce the acoustic noise from a motor, the switching frequency must be set according to the Sine-wave filter instruction in *14-01 Switching Frequency*.

Aluminium conductors

Aluminium conductors are not recommended. Terminals can accept aluminium conductors but the conductor surface has to be clean and the oxidation must be removed and sealed by neutral acid free Vaseline grease before the conductor is connected.

Furthermore, the terminal screw must be retightened after two days due to the softness of the aluminium. It is crucial to keep the connection a gas tight joint, otherwise the aluminium surface will oxidize again.

5.2.5 Removal of Knockouts for Extra Cables

1. Remove cable entry from the frequency converter (Avoiding foreign parts falling into the frequency converter when removing knockouts)
2. Cable entry has to be supported around the knockout you intend to remove.
3. The knockout can now be removed with a strong mandrel and a hammer.
4. Remove burrs from the hole.
5. Mount Cable entry on frequency converter.

5.2.6 Enclosure Knock-outs

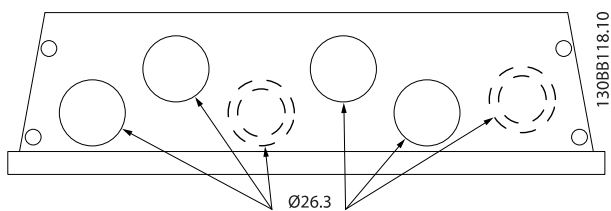


Illustration 5.7 Cable entry holes for enclosure A5. The suggested use of the holes are purely recommendations and other solutions are possible.

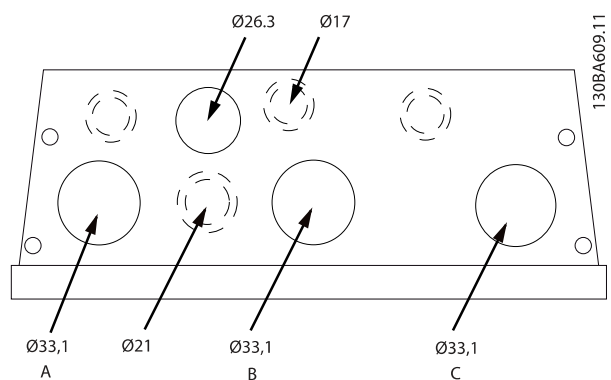


Illustration 5.8 Cable entry holes for enclosure B1. The suggested use of the holes are purely recommendations and other solutions are possible.

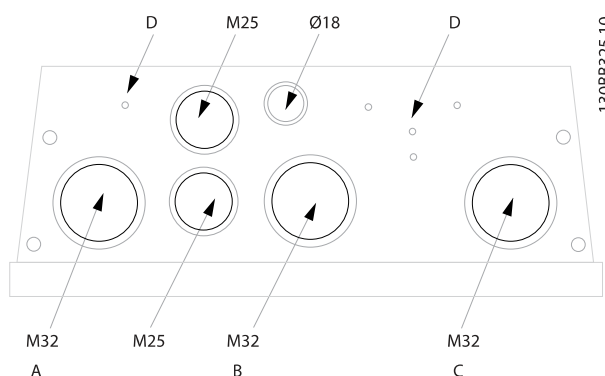


Illustration 5.9 Cable entry holes for enclosure B1. The suggested use of the holes are purely recommendations and other solutions are possible.

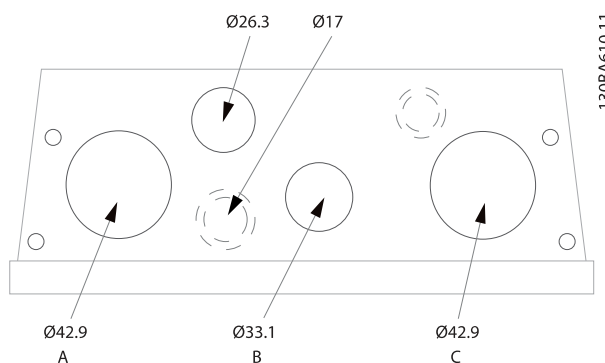


Illustration 5.10 Cable entry holes for enclosure B2. The suggested use of the holes are purely recommendations and other solutions are possible.

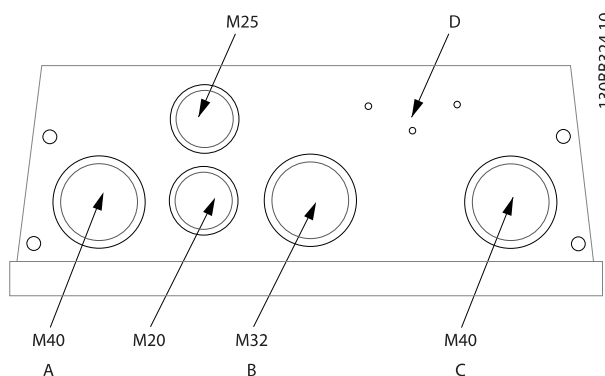


Illustration 5.11 Cable entry holes for enclosure B2. The suggested use of the holes are purely recommendations and other solutions are possible.

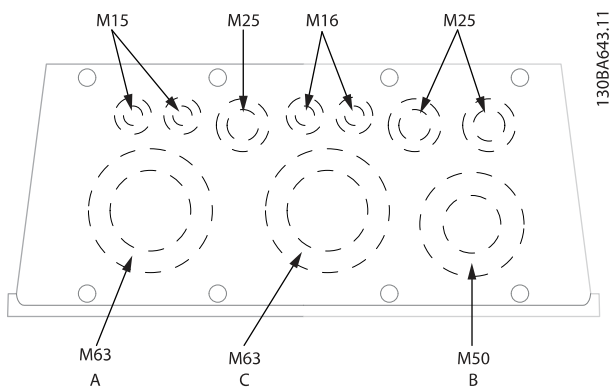


Illustration 5.12 Cable entry holes for enclosure C1. The suggested use of the holes are purely recommendations and other solutions are possible.

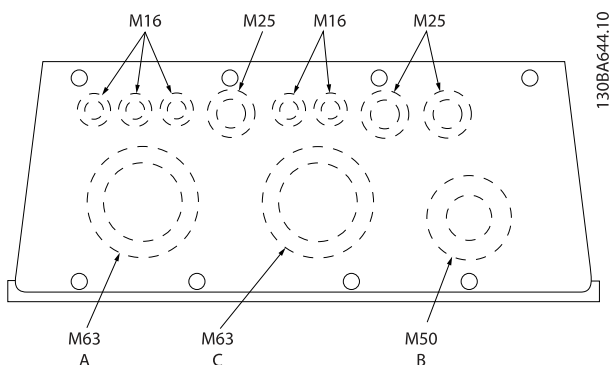


Illustration 5.13 Cable entry holes for enclosure C2. The suggested use of the holes are purely recommendations and other solutions are possible.

Cable entries viewed from the bottom of the frequency converter - 1) Mains side 2) Motor side

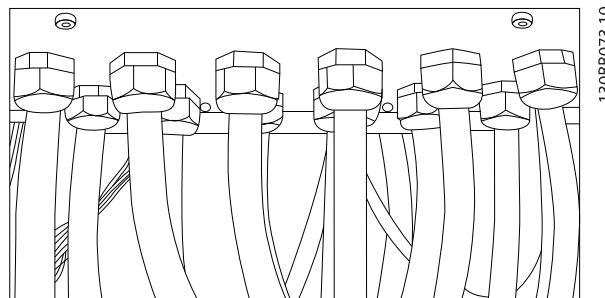


Illustration 5.14 Example of Proper Installation of Gland Plate.

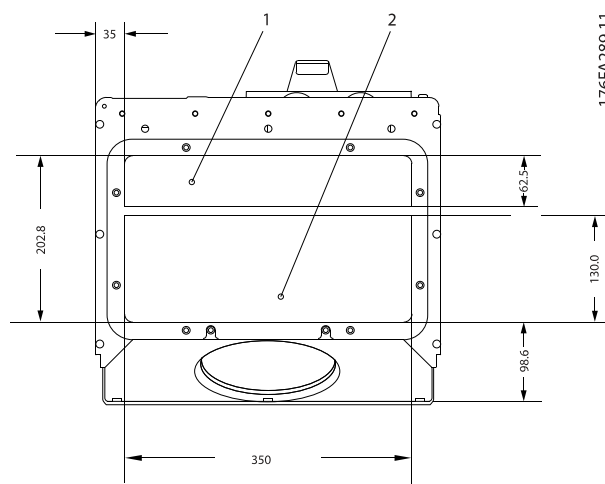


Illustration 5.15 Frame Sizes D1 + D2

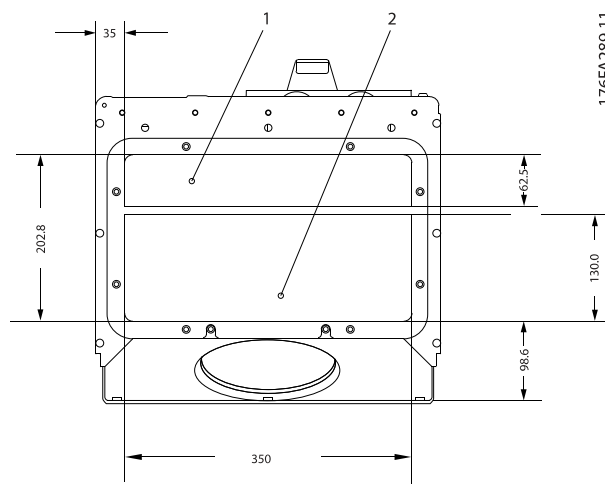


Illustration 5.16

Legend:

- A: Line in
- B: Brake/load sharing
- C: Motor out
- D: Free space

5.2.7 Gland/Conduit Entry - IP21 (NEMA 1) and IP54 (NEMA12)

Cables are connected through the gland plate from the bottom. Remove the plate and plan where to place the entry for the glands or conduits. Prepare holes in the marked area on the drawing.

NOTE

The gland plate must be fitted to the frequency converter to ensure the specified protection degree, as well as ensuring proper cooling of the unit. If the gland plate is not mounted, the frequency converter may trip on Alarm 69, Pwr. Card Temp

5.2.8 Fuses

A frequency converter that works correctly limits the current it can draw from the supply. Still, it is recommended to use fuses and/ or Circuit Breakers on the supply side as protection in case of component break-down inside the frequency converter (first fault).

NOTE

This is mandatory in order to ensure compliance with IEC 60364 for CE or NEC 2009 for UL.



Personnel and property must be protected against the consequence of component break-down internally in the frequency converter.

Branch Circuit Protection

In order to protect the installation against electrical and fire hazard, all branch circuits in an installation, switch gear, machines etc., must be protected against short-circuit and over-current according to national/international regulations.

NOTE

The recommendations given do not cover Branch circuit protection for UL!

UL Compliance

380-480 V, frame size D

The fuses below are suitable for use on a circuit capable of delivering 100,000 Arms (symmetrical), 240 V, or 480 V, or 500 V, or 600 V depending on the drive voltage rating.

Short-circuit protection:

Danfoss recommends using the fuses/Circuit Breakers listed in and to protect service personnel and property in case of component break-down in the frequency converter.

Over current protection:

The frequency converter provides overload protection to limit threats to human life, property damage and to avoid fire hazard due to overheating of the cables in the installation. The frequency converter is equipped with an internal over current protection (4-18 Current Limit) that can be used for upstream overload protection (UL-applications excluded). Moreover, fuses or Circuit Breakers can be used to provide the over current protection in the installation. Over current protection must always be carried out according to national regulations.

With the proper fusing the drive Short Circuit Current Rating (SCCR) is 100,000 Arms.

Size/ Type	Bussmann E1958 JFHR2**	Bussmann E4273 T/JDDZ**	SIBA E180276 JFHR2	Littelfuse E71611 JFHR2**	Ferraz- Shawmut E60314 JFHR2**	Bussmann E4274 H/JDDZ**	Bussmann E125085 JFHR2*	Internal Option Bussmann
P110	FWH- 300	JJS- 300	2061032.315	L50S-300	A50-P300	NOS- 300	170M3017	170M3018
P132	FWH- 350	JJS- 350	2061032.35	L50S-350	A50-P350	NOS- 350	170M3018	170M3018
P160	FWH- 400	JJS- 400	2061032.40	L50S-400	A50-P400	NOS- 400	170M4012	170M4016
P200	FWH- 500	JJS- 500	2061032.50	L50S-500	A50-P500	NOS- 500	170M4014	170M4016
P250	FWH- 600	JJS- 600	2062032.63	L50S-600	A50-P600	NOS- 600	170M4016	170M4016

Table 5.9 Frame Size D, Line Fuses, 380-480 V

*170M fuses from Bussmann shown use the -/80 visual indicator, - TN/80 Type T, -/110 or TN/110 Type T indicator fuses of the same size and amperage may be substituted for external use.

5.2.9 Control Terminals

Drawing reference numbers:

1. 10 pole plug digital I/O.
2. 3 pole plug RS-485 Bus.
3. 6 pole analog I/O.
4. USB Connection.

5

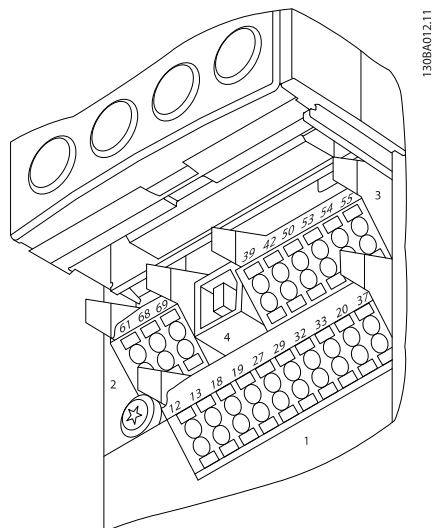


Illustration 5.17 Control Terminals (all Enclosures)

5.2.10 Control Cable Terminals

To mount the cable to the terminal:

1. Strip isolation of 9-10 mm
2. Insert a screw driver¹⁾ in the rectangular hole.
3. Insert the cable in the adjacent circular hole.
4. Remove the screw driver. The cable is now mounted to the terminal.

To remove the cable from the terminal:

1. Insert a screw driver¹⁾ in the square hole.
2. Pull out the cable.

¹⁾ Max. 0.4 x 2.5 mm

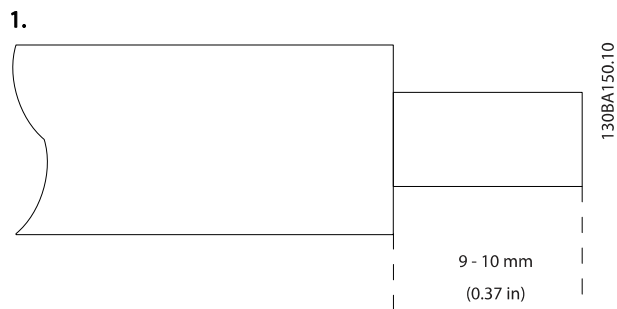


Illustration 5.18

2.

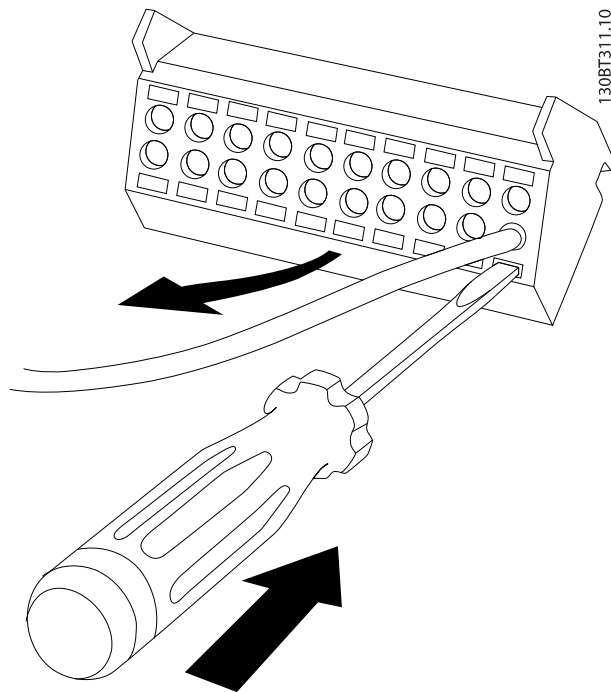


Illustration 5.19

3.

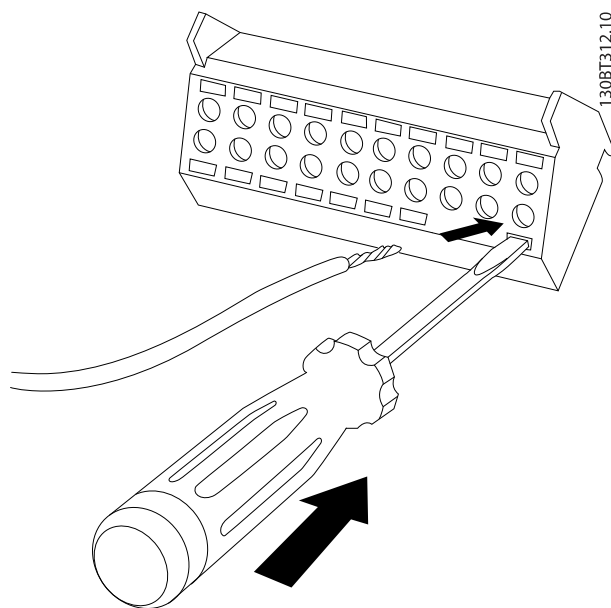


Illustration 5.20

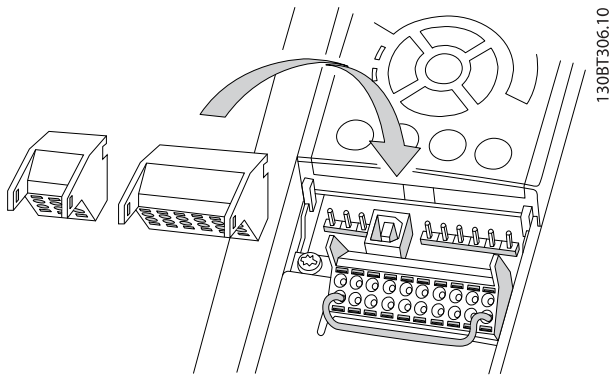


Illustration 5.21

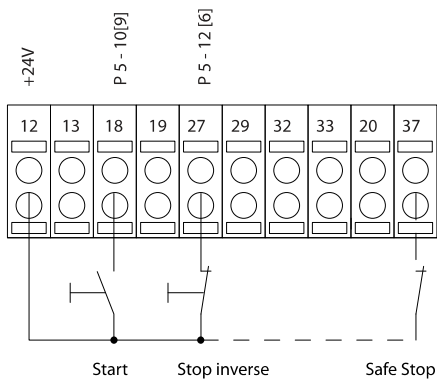
5.2.11 Basic Wiring Example

1. Mount terminals from the accessory bag to the front of the frequency converter.
2. Connect terminals 18 and 27 to +24 V (terminal 12/13)

Default settings:

18 = start

27 = stop inverse



130BA156.12

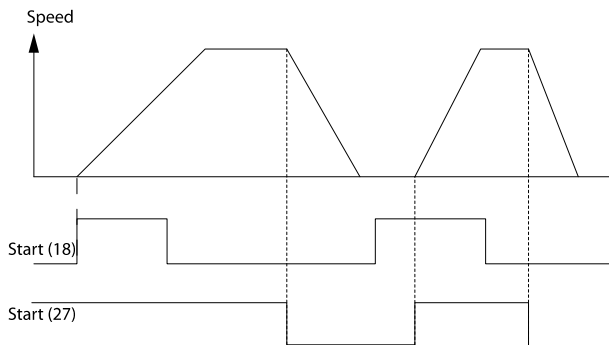
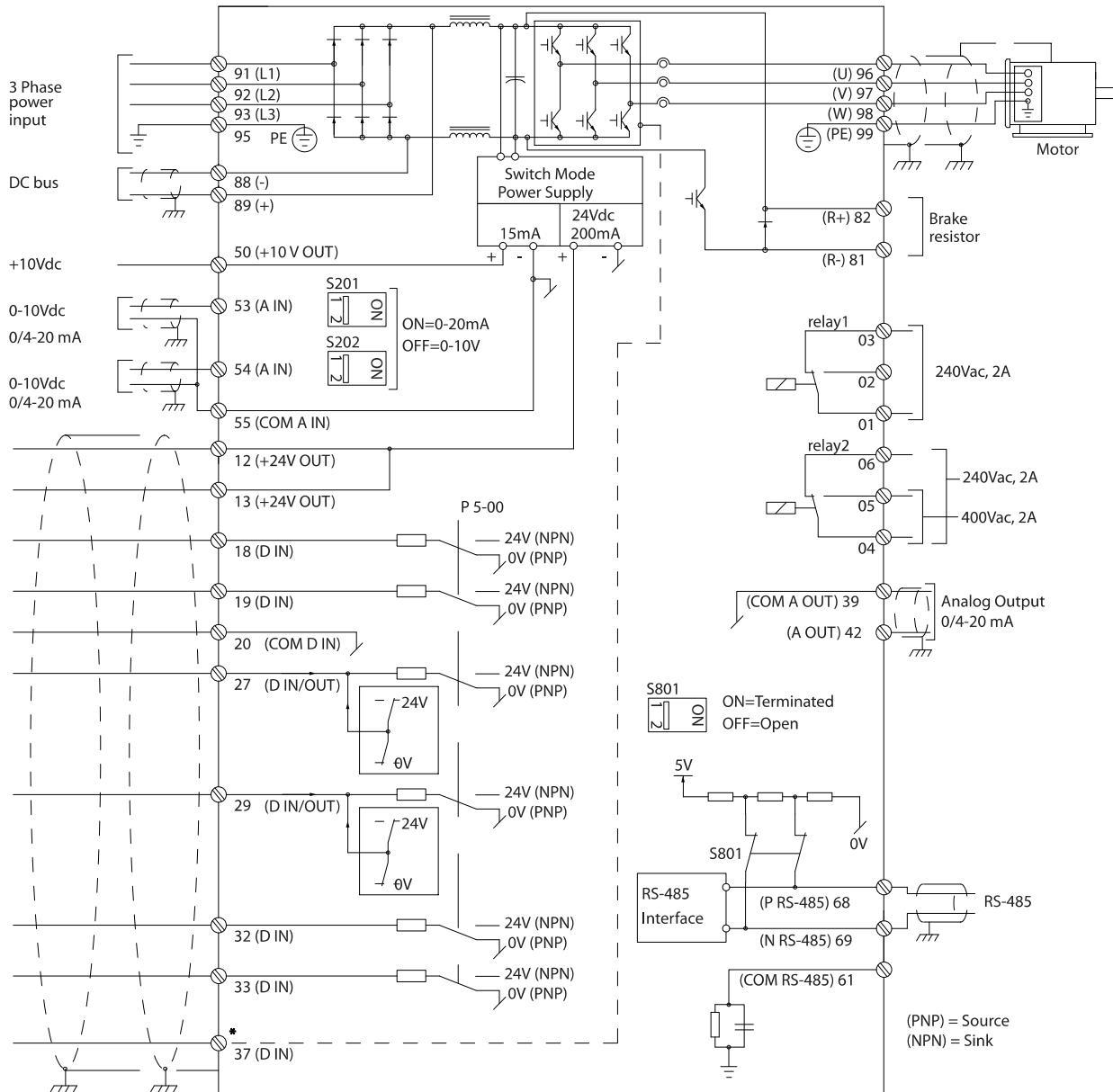


Illustration 5.22 Terminal 37 available with Safe Stop Function only.

5.2.12 Electrical Installation, Control Cables

5



130BA544.12

Illustration 5.23 Diagram Showing all Electrical Terminals.

Very long control cables and analog signals may in rare cases and depending on installation result in 50/60 Hz earth loops due to noise from mains supply cables.

If this occurs, you may have to break the screen or insert a 100 nF capacitor between screen and chassis.

The digital and analog in- and outputs must be connected separately to the frequency converter common inputs (terminal 20, 55, 39) to avoid ground currents from both groups to affect other groups. For example, switching on the digital input may disturb the analog input signal.

NOTE

Control cables must be screened/armoured.

1. Use a clamp from the accessory bag to connect the screen to the frequency converter decoupling plate for control cables.

See section entitled 5.7.3 *Earthing of Screened/Armoured Control Cables* for the correct termination of control cables.

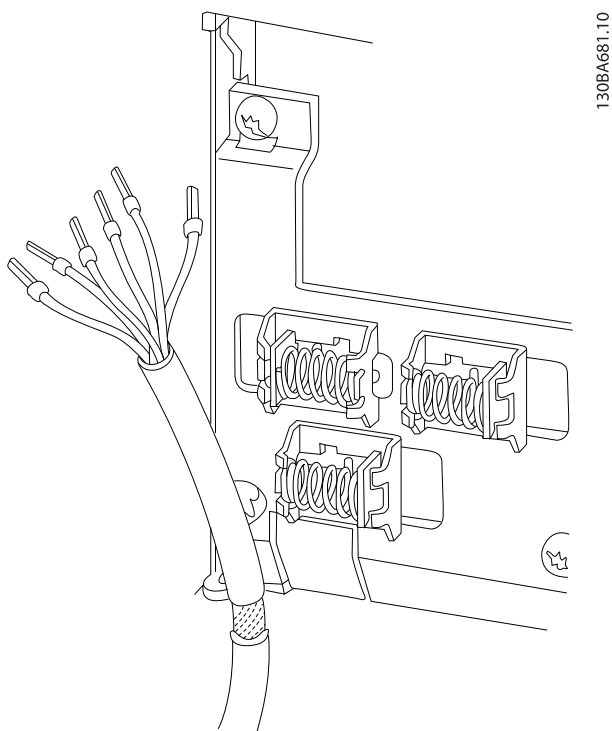


Illustration 5.24

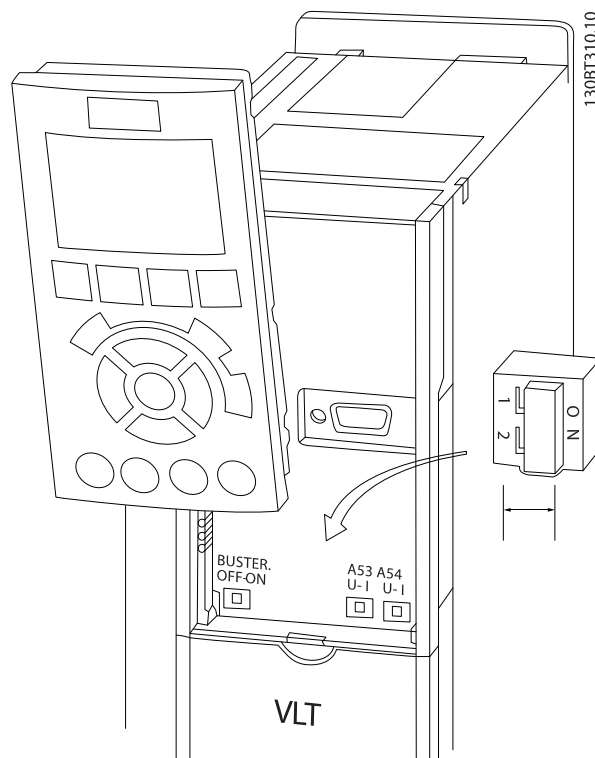


Illustration 5.25

5.2.13 Switches S201, S202, and S801

Switches S201 (A53) and S202 (A54) are used to select a current (0-20 mA) or a voltage (0 to 10 V) configuration of the analog input terminals 53 and 54 respectively.

Switch S801 (BUS TER.) can be used to enable termination on the RS-485 port (terminals 68 and 69).

See *Illustration 5.23*

Default setting:

S201 (A53) = OFF (voltage input)

S202 (A54) = OFF (voltage input)

S801 (Bus termination) = OFF

NOTE

It is recommended to only change switch position at power off.

5.3 Final Set-Up and Test

To test the set-up and ensure that the frequency converter is running, follow these steps.

Step 1. Locate the motor name plate

The motor is either star- (Y) or delta- connected (Δ). This information is located on the motor name plate data.

Step 2. Enter the motor name plate data in this parameter list.

To access this list first press the [Quick Menu] key then select "Q2 Quick Setup".

1.	Motor Power [kW] or Motor Power [HP]	1-20 Motor Power [kW] 1-21 Motor Power [HP]
2.	Motor Voltage	1-22 Motor Voltage
3.	Motor Frequency	1-23 Motor Frequency
4.	Motor Current	1-24 Motor Current
5.	Motor Nominal Speed	1-25 Motor Nominal Speed

Table 5.10

Step 3. Activate the Automatic Motor Adaptation (AMA)

Performing an AMA will ensure optimum performance. The AMA measures the values from the motor model equivalent diagram.

1. Connect terminal 27 to terminal 12 or set 5-12 Terminal 27 Digital Input to 'No function' (5-12 Terminal 27 Digital Input [0])
2. Activate the AMA 1-29 Automatic Motor Adaptation (AMA).
3. Choose between complete or reduced AMA. If an LC filter is mounted, run only the reduced AMA, or remove the LC filter during the AMA procedure.
4. Press the [OK] key. The display shows "Press [Hand On] to start".
5. Press the [Hand On] key. A progress bar indicates if the AMA is in progress.

Motor Speed Low Limit	4-11 Motor Speed Low Limit [RPM] or 4-12 Motor Speed Low Limit [Hz]
Motor Speed High Limit	4-13 Motor Speed High Limit [RPM] or 4-14 Motor Speed High Limit [Hz]

Table 5.12

Ramp-up Time 1 [s]	3-41 Ramp 1 Ramp Up Time
Ramp-down Time 1 [s]	3-42 Ramp 1 Ramp Down Time

Table 5.13

Stop the AMA during operation

1. Press [Off] - the frequency converter enters into alarm mode and the display shows that the AMA was terminated by the user.

Successful AMA

1. The display shows "Press [OK] to finish AMA".
2. Press the [OK] key to exit the AMA state.

Unsuccessful AMA

1. The frequency converter enters into alarm mode. A description of the alarm can be found in the *Troubleshooting* section in the Operating Instructions.
2. "Report Value" in the [Alarm Log] shows the last measuring sequence carried out by the AMA, before the frequency converter entered alarm mode. This number along with the description of the alarm will assist you in troubleshooting. If you contact Danfoss Service, make sure to mention number and alarm description.

Unsuccessful AMA is often caused by incorrectly registered motor name plate data or too big difference between the motor power size and the frequency converter power size.

Step 4. Set speed limit and ramp time

Set up the desired limits for speed and ramp time.

Minimum Reference	3-02 Minimum Reference
Maximum Reference	3-03 Maximum Reference

Table 5.11

5.4 Additional Connections

5.4.1 Mains Disconnectors

Frame size	Power & Voltage	Type
D1/D3	P110-P132 380-480 V & P110-P160 525-690 V	ABB OETL-NF200A
D2/D4	P160-P250 380-480 V & P200-P400 525-690 V	ABB OETL-NF400A

Table 5.14

5.4.2 External Fan Supply

In case the frequency converter is supplied by DC or if the fan must run independently of the power supply, an external power supply can be applied. The connection is made on the power card.

Terminal No.	Function
100, 101	Auxiliary supply S, T
102, 103	Internal supply S, T

Table 5.15

The connector located on the power card provides the connection of line voltage for the cooling fans. The fans are connected from factory to be supplied from a common AC line (jumpers between 100-102 and 101-103). If external supply is needed, the jumpers are removed and the supply is connected to terminals 100 and 101. A 5 Amp fuse should be used for protection. In UL applications this should be LittleFuse KLK-5 or equivalent.

5.4.3 Relay Output

Relay 1

- Terminal 01: common
- Terminal 02: normal open 240 V AC
- Terminal 03: normal closed 240 V AC

Relay 2

- Terminal 04: common
- Terminal 05: normal open 400 V AC
- Terminal 06: normal closed 240 V AC

Relay 1 and relay 2 are programmed in 5-40 Function Relay, 5-41 On Delay, Relay, and 5-42 Off Delay, Relay.

Additional relay outputs can be added to the frequency converter by using option module MCB 105.

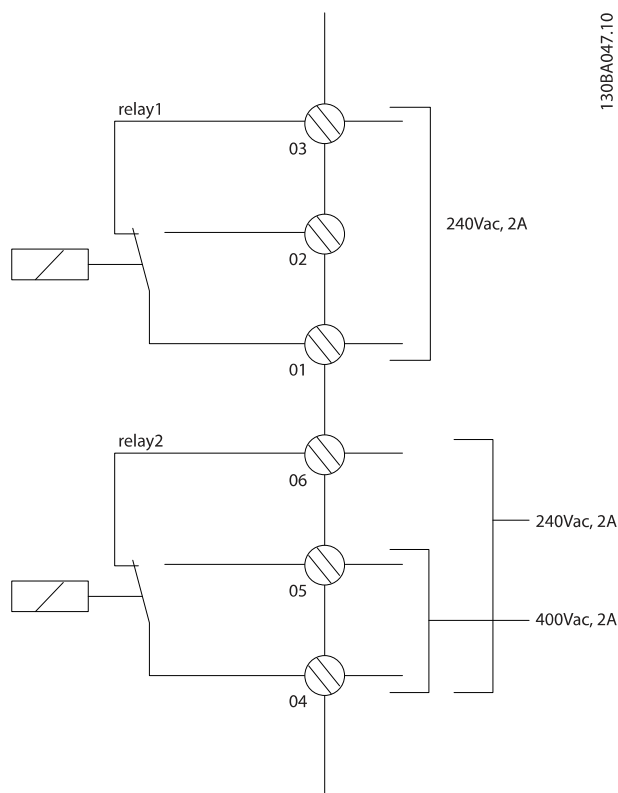


Illustration 5.26

5.4.4 Parallel Connection of Motors

The frequency converter can control several parallel-connected motors. The total current consumption of the motors must not exceed the rated output current I_{INV} for the frequency converter.

When motors are connected in parallel, 1-29 Automatic Motor Adaptation (AMA) cannot be used.

Problems may arise at start and at low RPM values if motor sizes are widely different because small motors' relatively high ohmic resistance in the stator calls for a higher voltage at start and at low RPM values.

The electronic thermal relay (ETR) of the frequency converter cannot be used as motor protection for the individual motor of systems with parallel-connected

5

motors. Provide further motor protection by e.g. thermistors in each motor or individual thermal relays. (Circuit breakers are not suitable as protection).

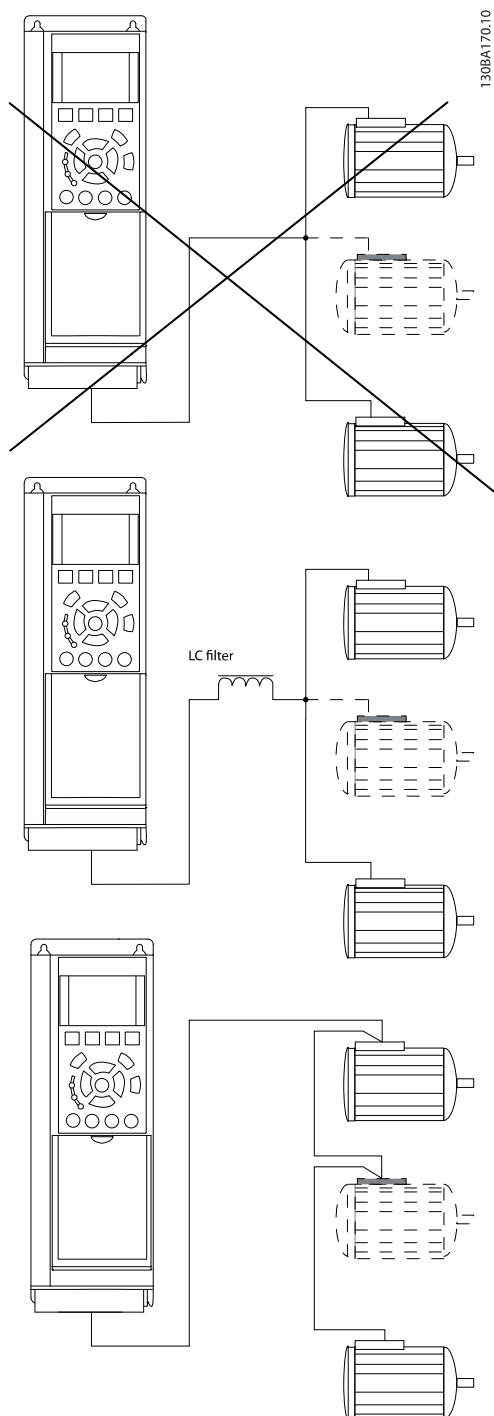


Illustration 5.27

5.4.5 Direction of Motor Rotation

The default setting is clockwise rotation with the frequency converter output connected as follows.

- Terminal 96 connected to U-phase
- Terminal 97 connected to V-phase
- Terminal 98 connected to W-phase

The direction of motor rotation is changed by switching two motor phases.

Motor rotation check can be performed using 1-28 Motor Rotation Check and following the steps shown in the display.

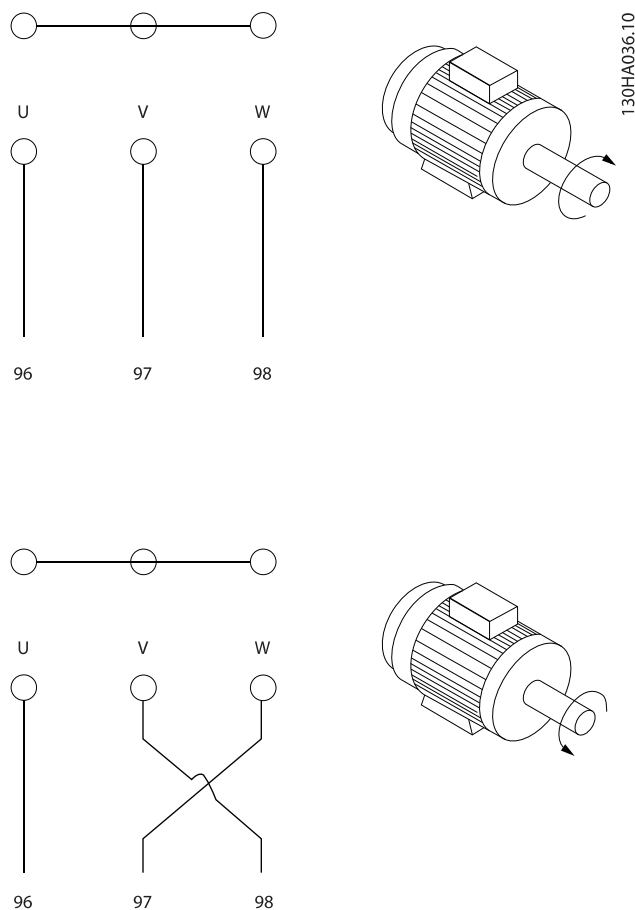


Illustration 5.28

5.4.6 Motor Thermal Protection

The electronic thermal relay in the frequency converter has received the UL-approval for single motor protection, when 1-90 Motor Thermal Protection is set for ETR Trip and 1-24 Motor Current is set to the rated motor current (see motor name plate).

5.4.7 Motor Insulation

For motor cable lengths \leq the maximum cable length listed in the General Specifications tables the following motor insulation ratings are recommended because the peak voltage can be up to twice the DC link voltage, 2.8 times the mains voltage, due to transmission line effects in the motor cable. If a motor has lower insulation rating it recommended to use a du/dt or sine wave filter.

Nominal Mains Voltage	Motor Insulation
$U_N \leq 420 \text{ V}$	Standard $U_{LL} = 1300 \text{ V}$
$420 \text{ V} < U_N \leq 500 \text{ V}$	Reinforced $U_{LL} = 1600 \text{ V}$
$500 \text{ V} < U_N \leq 600 \text{ V}$	Reinforced $U_{LL} = 1800 \text{ V}$

Table 5.16

5.4.8 Motor Bearing Currents

It is recommended that motors of a rating 110 kW or higher operating via frequency converters should have NDE (Non-Drive End) insulated bearings installed to eliminate circulating bearing currents due to the physical size of the motor. To minimize DE (Drive End) bearing and shaft currents proper grounding of the frequency converter, motor, driven machine, and motor to the driven machine is required. Although failure due to bearing currents is low and dependent on many different items, for security of operation the following are mitigation strategies which can be implemented.

Standard mitigation strategies

1. Use an insulated bearing
2. Apply rigorous installation procedures
 - Ensure the motor and load motor are aligned
 - Strictly follow the EMC Installation guideline
 - Reinforce the PE so the high frequency impedance is lower in the PE than the input power leads
 - Provide a good high frequency connection between the motor and the frequency converter for instance by screened cable which has a 360° connection in the motor and the frequency converter
 - Make sure that the impedance from frequency converter to building ground is lower than the grounding impedance of the machine. This can be difficult for pumps- Make a direct earth connection between the motor and load motor.
3. Apply conductive lubrication
4. Try to ensure that the line voltage is balanced to ground. This can be difficult for IT, TT, TN-CS or Grounded leg systems

5. Use an insulated bearing as recommended by the motor manufacturer

NOTE

Motors from reputable manufacturers will typically have these fitted as standard in motors of this size.

If found to be necessary and after consultation with Danfoss:

6. Lower the IGBT switching frequency
7. Modify the inverter waveform, 60° AVM vs. SFAVM
8. Install a shaft grounding system or use an isolating coupling between motor and load
9. Use minimum speed settings if possible
10. Use a dU/dt or sinus filter

5.5 Installation of Misc. Connections

5.5.1 RS-485 Bus Connection

One or more frequency converters can be connected to a control (or master) using the RS-485 standardized interface. Terminal 68 is connected to the P signal (TX+, RX+), while terminal 69 is connected to the N signal (TX-, RX-).

If more than one frequency converter is connected to a master, use parallel connections.

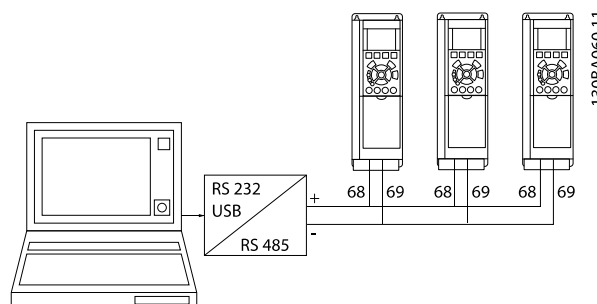


Illustration 5.29

In order to avoid potential equalizing currents in the screen, earth the cable screen via terminal 61, which is connected to the frame via an RC-link.

For EMC correct installation, refer to .

Bus termination

The RS-485 bus must be terminated by a resistor network at both ends. For this purpose, set switch S801 on the control card for "ON".

For more information, see 5.2.13 *Switches S201, S202, and S801.*

Communication protocol must be set to *8-30 Protocol.*

5.5.2 How to Connect a PC to the Frequency Converter

To control or program the frequency converter from a PC, install the PC-based Configuration Tool MCT 10 Set-up Software.

The PC is connected via a standard (host/device) USB cable, or via the RS-485 interface as shown in 5.5.1 RS-485 Bus Connection.

NOTE

The USB connection is galvanically isolated from the supply voltage (PELV) and other high-voltage terminals. The USB connection is connected to protection earth on the frequency converter. Use only an isolated laptop as PC connection to the USB connector on the frequency converter.

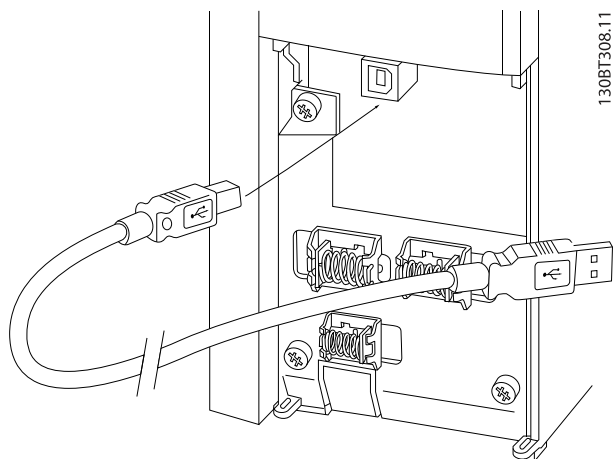


Illustration 5.30 For control cable connections, see section on Control Terminals.

PC-based Configuration Tool MCT 10 Set-up Software

All frequency converters are equipped with a serial communication port. Danfoss provides a PC tool for communication between PC and frequency converter, PC-based Configuration Tool MCT 10 Set-up Software.

MCT 10 Set-up Software

MCT 10 Set-up Software has been designed as an easy to use interactive tool for setting parameters in our frequency converters.

The PC-based Configuration Tool MCT 10 Set-up Software will be useful for:

- Planning a communication network off-line. MCT 10 Set-up Software contains a complete frequency converter database
- Commissioning frequency converters on line
- Saving settings for all frequency converters

- Replacing a frequency converter in a network
- Expanding an existing network
- Future developed drives will be supported

Save Drive Settings:

1. Connect a PC to the unit via USB com port
2. Open PC-based Configuration Tool MCT 10 Set-up Software
3. Choose "Read from drive"
4. Choose "Save as"

All parameters are now stored in the PC.

Load Drive Settings:

1. Connect a PC to the unit via USB com port
2. Open PC-based Configuration Tool MCT 10 Set-up Software
3. Choose "Open"– stored files will be shown
4. Open the appropriate file
5. Choose "Write to drive"

All parameter settings are now transferred to the frequency converter.

A separate manual for PC-based Configuration Tool MCT 10 Set-up Software is available.

The PC-based Configuration Tool MCT 10 Set-up Software modules

The following modules are included in the software package:

	MCT 10 Set-up Software Setting parameters Copy to and from frequency converters Documentation and print out of parameter settings incl. diagrams
	Ext. User Interface Preventive Maintenance Schedule Clock settings Timed Action Programming Smart Logic Controller Set-up

Table 5.17

Ordering number:

Order the CD containing the PC-based Configuration Tool MCT 10 Set-up Software, using code number 130B1000.

5.5.3 MCT 31

The MCT 31 harmonic calculation PC tool enables easy estimation of the harmonic distortion in a given application. Both the harmonic distortion of Danfoss frequency converters as well as non-Danfoss frequency converters with different additional harmonic reduction devices, such as Danfoss AHF filters and 12-18-pulse rectifiers, can be calculated.

Ordering number:

Order your CD containing the MCT 31 PC tool, using code number 130B1031.

MCT 31 can also be downloaded from the Danfoss Internet: <http://www.danfoss.com/BusinessAreas/DrivesSolutions/SoftwareDownload/>.

5.6 Safety

5.6.1 High Voltage Test

Carry out a high voltage test by short-circuiting terminals U, V, W, L₁, L₂ and L₃. Energize maximum 2.15 kV DC for 380-500 V frequency converters and 2.525 kV DC for 525-600 V frequency converters for one second between this short-circuit and the chassis.

⚠ WARNING

When running high voltage tests of the entire installation, interrupt the mains and motor connection if the leakage currents are too high.

Failure to follow recommendations could result in death or serious injury.

5.6.2 Safety Earth Connection

The frequency converter has a high leakage current and must be earthed appropriately for safety reasons according to EN 50178.

⚠ WARNING

The earth leakage current from the frequency converter exceeds 3.5 mA. To ensure a good mechanical connection from the earth cable to the earth connection (terminal 95), the cable cross-section must be at least 10 mm² or 2 rated earth wires terminated separately.

5.7 EMC-correct Installation

5.7.1 Electrical Installation - EMC Precautions

The following is a guideline to good engineering practice when installing frequency converters. Follow these guidelines to comply with EN 61800-3 *First environment*. If the installation is in EN 61800-3 *Second environment*, i.e. industrial networks, or in an installation with its own transformer, deviation from these guidelines is allowed but not recommended. See also , 2.9.1 *General Aspects of EMC Emissions* and .

Good engineering practice to ensure EMC-correct electrical installation:

- Use only braided screened/armoured motor cables and braided screened/armoured control cables. The screen should provide a minimum coverage of 80%. The screen material must be metal, not limited to but typically copper, aluminium, steel or lead. There are no special requirements for the mains cable.
- Installations using rigid metal conduits are not required to use screened cable, but the motor cable must be installed in conduit separate from the control and mains cables. Full connection of the conduit from the drive to the motor is required. The EMC performance of flexible conduits varies a lot and information from the manufacturer must be obtained.
- Connect the screen/armour/conduit to earth at both ends for motor cables as well as for control cables. In some cases, it is not possible to connect the screen in both ends. If so, connect the screen at the frequency converter. See also 5.7.3 *Earthing of Screened/Armoured Control Cables* .
- Avoid terminating the screen/armour with twisted ends (pigtailed). It increases the high frequency impedance of the screen, which reduces its effectiveness at high frequencies. Use low impedance cable clamps or EMC cable glands instead.
- Avoid using unscreened/unarmoured motor or control cables inside cabinets housing the drive(s), whenever this can be avoided.

Leave the screen as close to the connectors as possible.

Illustration 5.31 shows an example of an EMC-correct electrical installation of an IP20 frequency converter. The frequency converter is fitted in an installation cabinet with an output contactor and connected to a PLC, which is

installed in a separate cabinet. Other ways of doing the installation may have just as good an EMC performance, provided the above guide lines to engineering practice are followed.

If the installation is not carried out according to the guideline and if unscreened cables and control wires are used, some emission requirements are not complied with, although the immunity requirements are fulfilled. See .

5

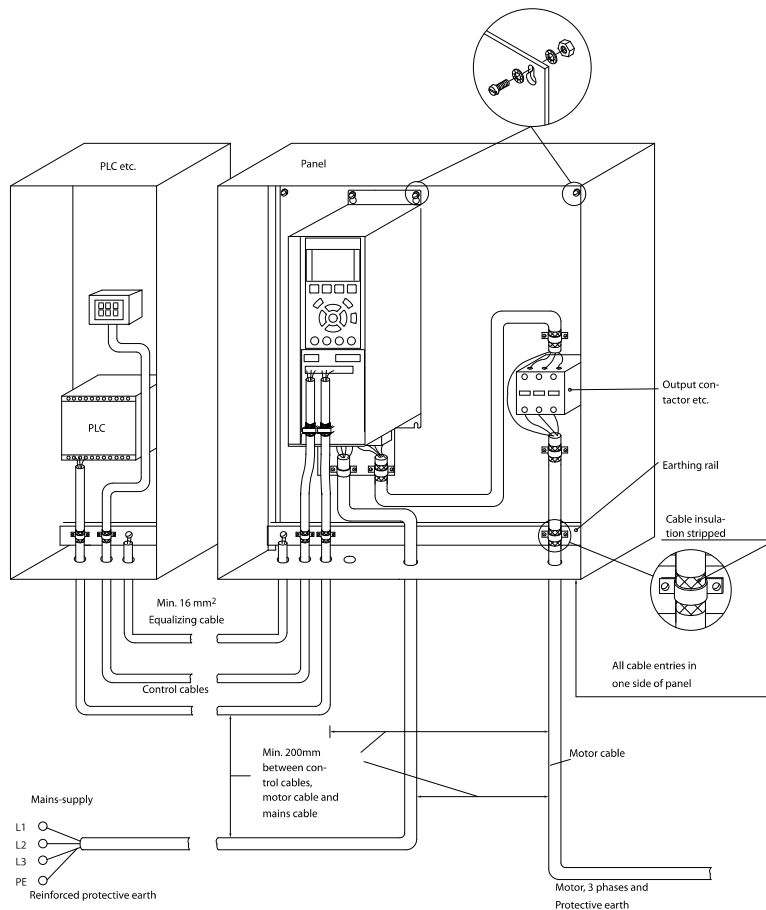


Illustration 5.31 EMC-correct Electrical Installation of a Frequency Converter in Cabinet.

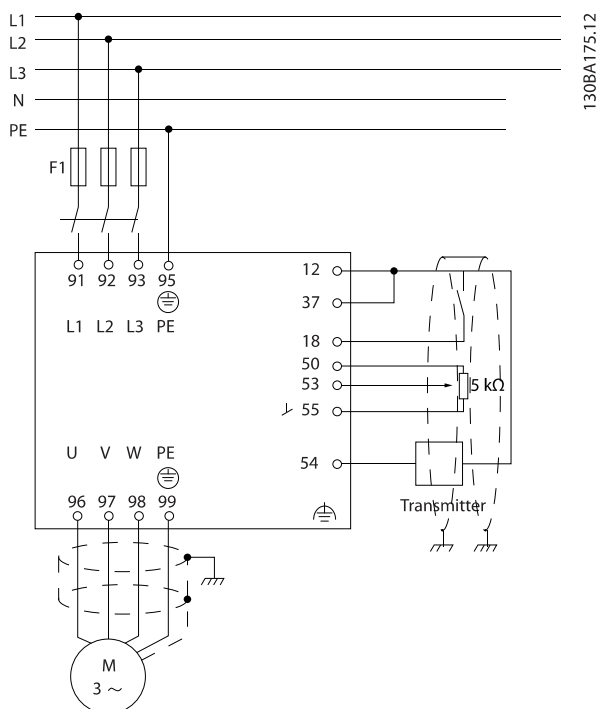


Illustration 5.32 Electrical Connection Diagram.

5.7.2 Use of EMC-Correct Cables

Danfoss recommends braided screened/armoured cables to optimise EMC immunity of the control cables and the EMC emission from the motor cables.

The ability of a cable to reduce the in- and outgoing radiation of electric noise depends on the transfer impedance (Z_T). The screen of a cable is normally designed to reduce the transfer of electric noise; however, a screen with a lower transfer impedance (Z_T) value is more effective than a screen with a higher transfer impedance (Z_T).

Transfer impedance (Z_T) is rarely stated by cable manufacturers but it is often possible to estimate transfer impedance (Z_T) by assessing the physical design of the cable.

Transfer impedance (Z_T) can be assessed on the basis of the following factors:

- The conductivity of the screen material.
 - The contact resistance between the individual screen conductors.
 - The screen coverage, i.e. the physical area of the cable covered by the screen - often stated as a percentage value.
 - Screen type, i.e. braided or twisted pattern.
- a. Aluminium-clad with copper wire.
 - b. Twisted copper wire or armoured steel wire cable.
 - c. Single-layer braided copper wire with varying percentage screen coverage. This is the typical Danfoss reference cable.
 - d. Double-layer braided copper wire.
 - e. Twin layer of braided copper wire with a magnetic, screened/armoured intermediate layer.
 - f. Cable that runs in copper tube or steel tube.
 - g. Lead cable with 1.1 mm wall thickness.

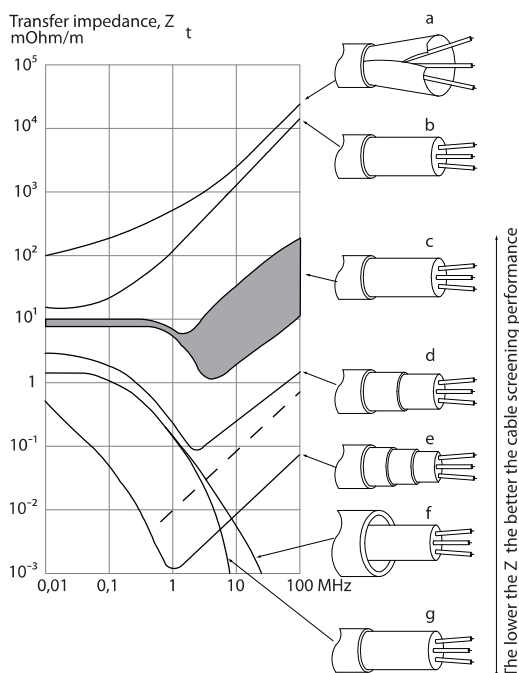


Illustration 5.33

5.7.3 Earthing of Screened/Armoured Control Cables

Generally speaking, control cables must be braided screened/armoured and the screen must be connected by means of a cable clamp at both ends to the metal cabinet of the unit.

The drawing below indicates how correct earthing is carried out and what to do if in doubt.

- a. Correct earthing**
Control cables and cables for serial communication must be fitted with cable clamps at both ends to ensure the best possible electrical contact.
- b. Wrong earthing**
Do not use twisted cable ends (pigtailed). They increase the screen impedance at high frequencies.
- c. Protection with respect to earth potential between PLC and frequency converter**
If the earth potential between the frequency converter and the PLC (etc.) is different, electric noise may occur that will disturb the entire system. Solve this problem by fitting an equalising cable, next to the control cable. Minimum cable cross-section: 16 mm².
- d. For 50/60 Hz earth loops**
If very long control cables are used, 50/60 Hz earth loops may occur. Solve this problem by connecting one end of the screen to earth via a 100 nF capacitor (keeping leads short).
- e. Cables for serial communication**
Eliminate low-frequency noise currents between two frequency converters by connecting one end of the screen to terminal 61. This terminal is connected to earth via an internal RC link. Use twisted-pair cables to reduce the differential mode interference between the conductors.

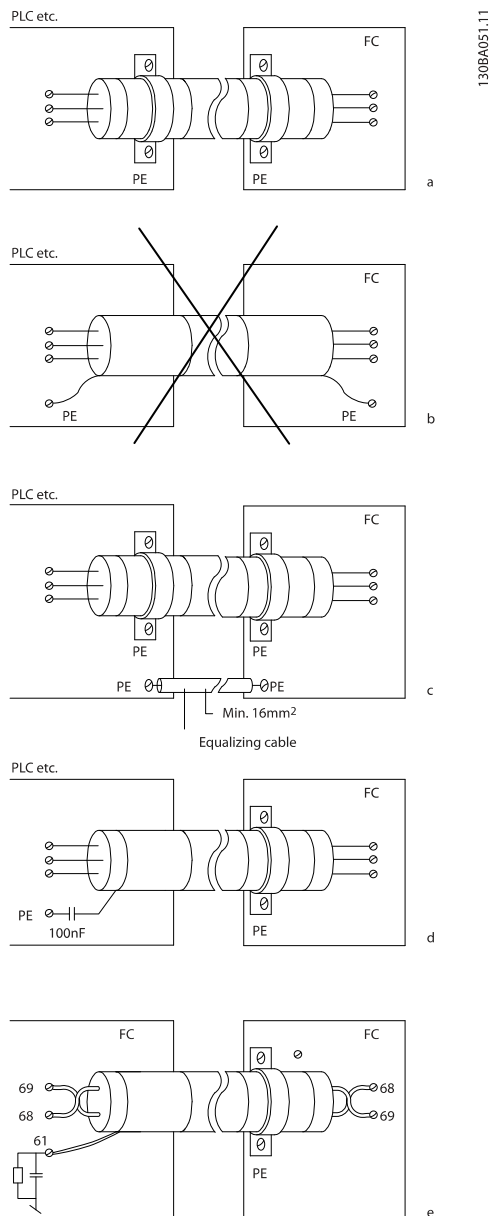


Illustration 5.34

Use RCD relays, multiple protective earthing or earthing as extra protection, provided that local safety regulations are complied with.

If an earth fault appears, a DC content may develop in the faulty current.

If RCD relays are used, local regulations must be observed. Relays must be suitable for protection of 3-phase equipment with a bridge rectifier and for a brief discharge on power-up see for further information.

6 Application Examples

6.1.1 Start/Stop

Terminal 18 = start/stop 5-10 Terminal 18 Digital Input [8] Start
 Terminal 27 = No operation 5-12 Terminal 27 Digital Input [0] No operation (Default coast inverse)

5-10 Terminal 18 Digital Input = Start (default)
 5-12 Terminal 27 Digital Input = coast inverse (default)

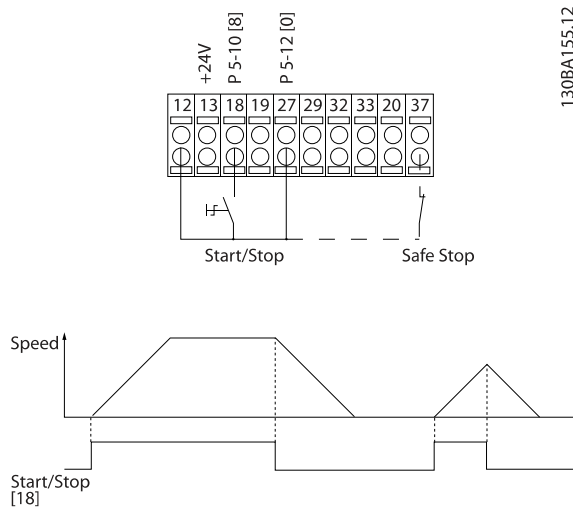


Illustration 6.1 Terminal 37: Available only with Safe Stop Function

6.1.2 Pulse Start/Stop

Terminal 18 = start/stop 5-10 Terminal 18 Digital Input [9] Latched start
 Terminal 27 = Stop 5-12 Terminal 27 Digital Input [6] Stop inverse

5-10 Terminal 18 Digital Input = Latched start
 5-12 Terminal 27 Digital Input = Stop inverse

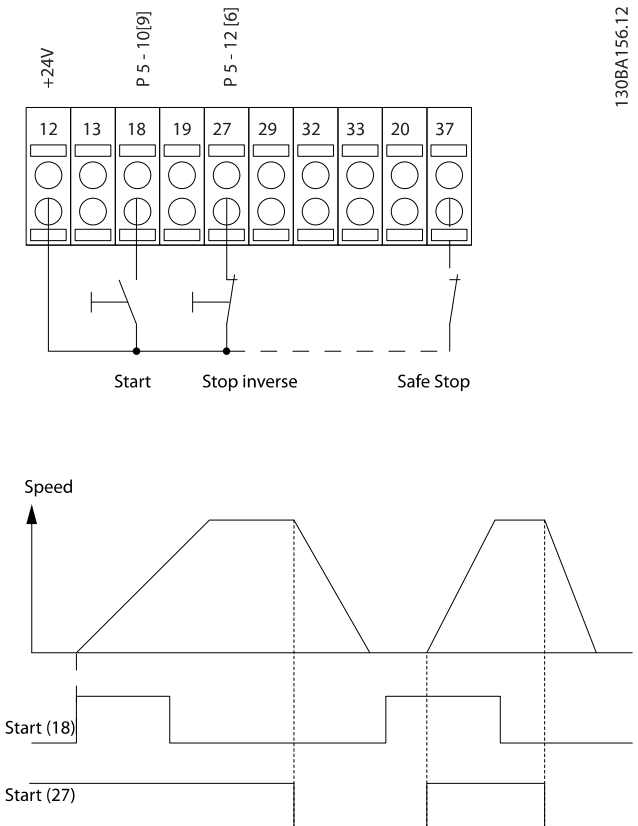


Illustration 6.2 Terminal 37: Available only with Safe Stop Function

6.1.3 Potentiometer Reference

Voltage reference via a potentiometer.

- 3-15 Reference 1 Source [1] = Analog Input 53
- 6-10 Terminal 53 Low Voltage = 0 V
- 6-11 Terminal 53 High Voltage = 10 V
- 6-14 Terminal 53 Low Ref./Feedb. Value = 0 RPM
- 6-15 Terminal 53 High Ref./Feedb. Value = 1.500 RPM
- Switch S201 = OFF (U)

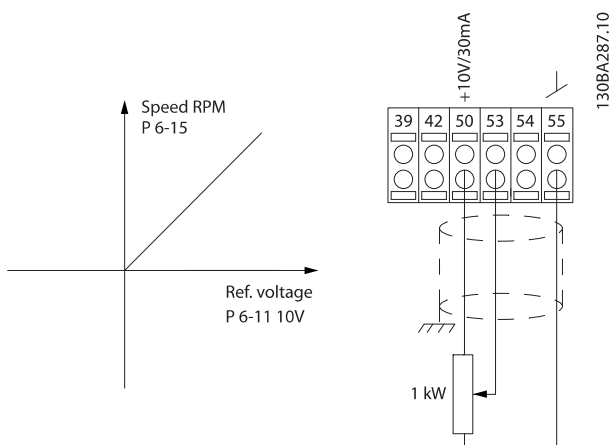


Illustration 6.3

6.1.4 Automatic Motor Adaptation (AMA)

AMA is an algorithm to measure the electrical motor parameters on a motor at standstill. This means that AMA itself does not supply any torque. AMA is useful when commissioning systems and optimising the adjustment of the frequency converter to the applied motor. This feature is particularly used where the default setting does not apply to the connected motor. 1-29 Automatic Motor Adaptation (AMA) allows a choice of complete AMA with determination of all electrical motor parameters or reduced AMA with determination of the stator resistance R_s only. The duration of a total AMA varies from a few minutes on small motors to more than 15 minutes on large motors.

Limitations and preconditions:

- For the AMA to determine the motor parameters optimally, enter the correct motor nameplate data in 1-20 Motor Power [kW] to 1-28 Motor Rotation Check.
- For the best adjustment of the frequency converter, carry out AMA on a cold motor. Repeated AMA runs may lead to a heating of the motor, which results in an increase of the stator resistance, R_s . Normally, this is not critical.

- AMA can only be carried out if the rated motor current is minimum 35% of the rated output current of the frequency converter. AMA can be carried out on up to one oversize motor.
- It is possible to carry out a reduced AMA test with a Sine-wave filter installed. Avoid carrying out a complete AMA with a Sine-wave filter. If an overall setting is required, remove the Sine-wave filter while running a total AMA. After completion of the AMA, reinsert the Sine-wave filter.
- If motors are coupled in parallel, use only reduced AMA if any.
- Avoid running a complete AMA when using synchronous motors. If synchronous motors are applied, run a reduced AMA and manually set the extended motor data. The AMA function does not apply to permanent magnet motors.
- The frequency converter does not produce motor torque during an AMA. During an AMA, it is imperative that the application does not force the motor shaft to run, which is known to happen with e.g. wind milling in ventilation systems. This disturbs the AMA function.
- AMA can not be activated when running a PM motor (when 1-10 Motor Construction is set to [1] PM non salient SPM).

6.1.5 Smart Logic Control

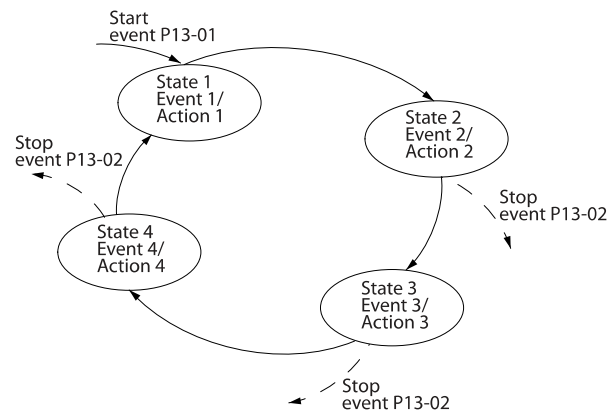
A useful facility in the VLT® Refrigeration Drive FCR 103 frequency converter is the Smart Logic Control (SLC). In applications where a PLC is generating a simple sequence the SLC may take over elementary tasks from the main control. SLC is designed to act from event send to or generated in the frequency converter. The frequency converter will then perform the pre-programmed action.

6.1.6 Smart Logic Control Programming

The Smart Logic Control (SLC) is essentially a sequence of user defined actions (see 13-52 SL Controller Action) executed by the SLC when the associated user defined event (see 13-51 SL Controller Event) is evaluated as TRUE by the SLC. Events and actions are each numbered and are linked in pairs called states. This means that when event [1] is fulfilled (attains the value TRUE), action [1] is executed. After this, the conditions of event [2] will be evaluated and if evaluated TRUE, action [2] will be executed and so on. Events and actions are placed in array parameters.

It is possible to program from 0 to 20 events and actions. When the last event / action has been executed, the

sequence starts over again from event [1] / action [1]. The illustration shows an example with three events / actions:



130BA062.13

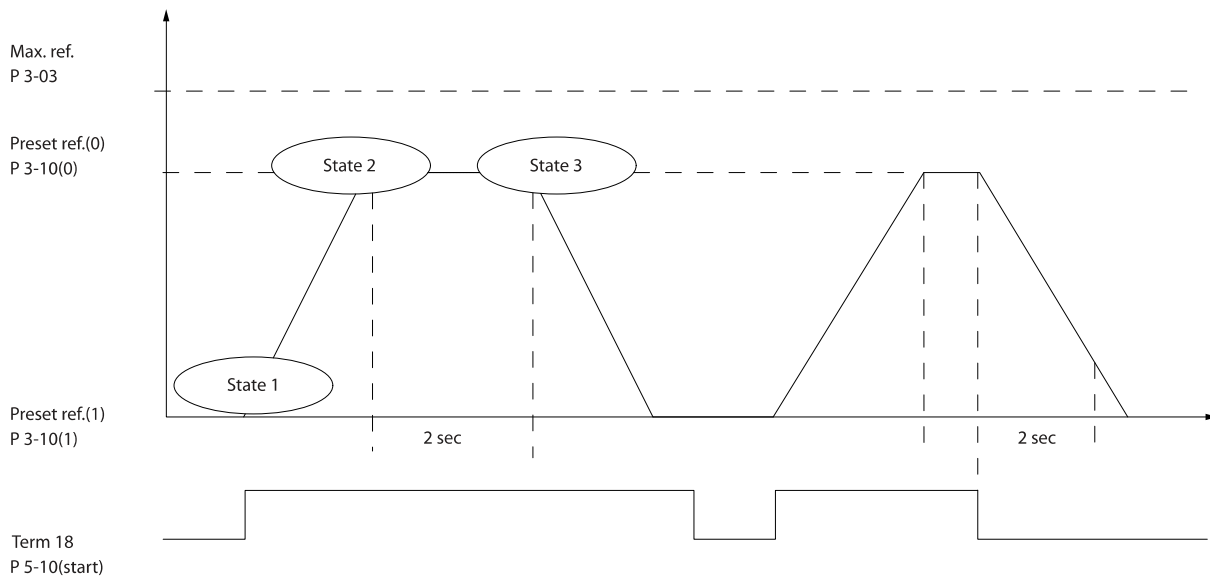
Illustration 6.4

6

6.1.7 SLC Application Example

One sequence 1

Start – ramp up – run at reference speed 2 sec – ramp down and hold shaft until stop.



130BA157.11

Illustration 6.5

Set the ramping times in 3-41 Ramp 1 Ramp Up Time and 3-42 Ramp 1 Ramp Down Time to the wanted times

$$t_{ramp} = \frac{t_{acc} \times n_{norm}^{(par. 1 - 25)}}{ref[RPM]}$$

Set term 27 to No Operation (5-12 Terminal 27 Digital Input)

Set Preset reference 0 to first preset speed (3-10 Preset Reference [0]) in percentage of Max reference speed (3-03 Maximum Reference). Ex.: 60%

Set preset reference 1 to second preset speed (3-10 Preset Reference [1] Ex.: 0 % (zero).

Set the timer 0 for constant running speed in 13-20 SL Controller Timer [0]. Ex.: 2 sec.

Set Event 1 in 13-51 SL Controller Event [1] to True [1]
Set Event 2 in 13-51 SL Controller Event [2] to On Reference [4]

Set Event 3 in 13-51 SL Controller Event [3] to Time Out 0 [30]

Set Event 4 in 13-51 SL Controller Event [4] to False [0]

Set Action 1 in 13-52 SL Controller Action [1] to Select preset 0 [10]

Set Action 2 in 13-52 SL Controller Action [2] to Start Timer 0 [29]

Set Action 3 in 13-52 SL Controller Action [3] to Select preset 1 [11]

Set Action 4 in 13-52 SL Controller Action [4] to No Action [1]

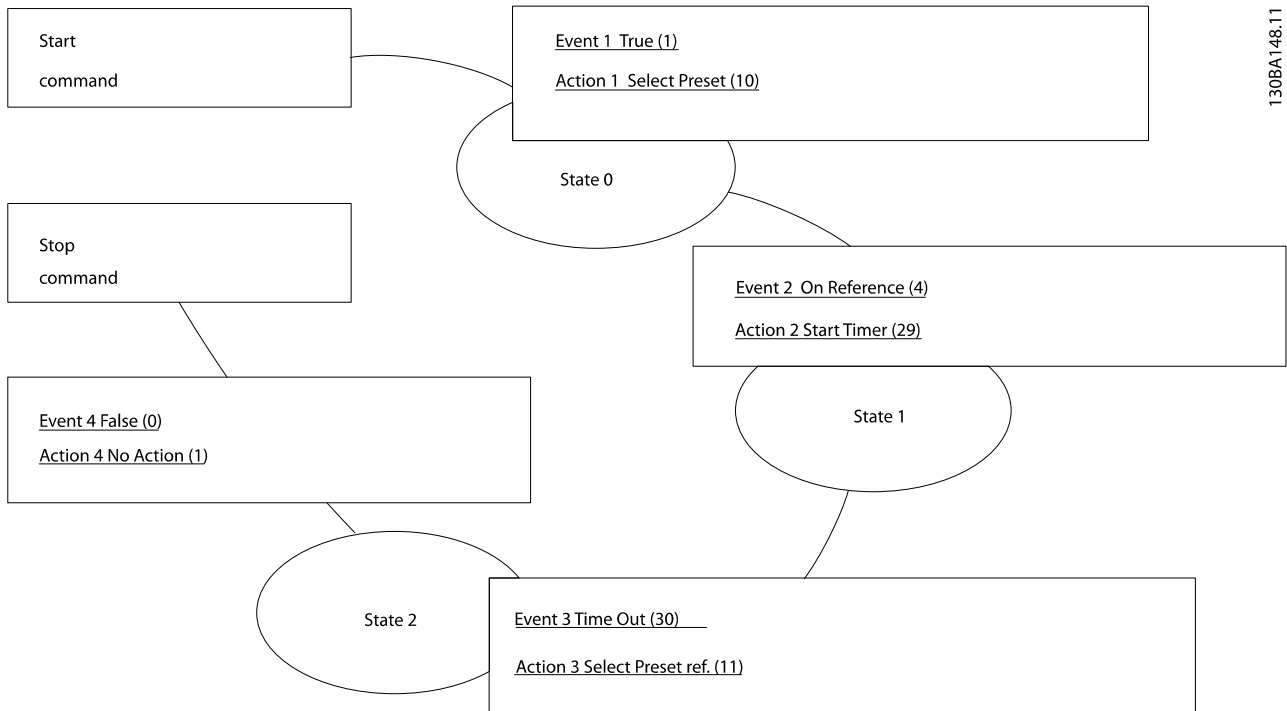


Illustration 6.6

Set the Smart Logic Control in 13-00 SL Controller Mode to ON.

Start/stop command is applied on terminal 18. If stop signal is applied the frequency converter will ramp down and go into free mode.

7 RS-485 Installation and Set-up

7.1 RS-485 Installation and Set-up

7.1.1 Overview

RS-485 is a two-wire bus interface compatible with multi-drop network topology, i.e. nodes can be connected as a bus, or via drop cables from a common trunk line. A total of 32 nodes can be connected to one network segment. Repeaters divide network segments. Note that each repeater functions as a node within the segment in which it is installed. Each node connected within a given network must have a unique node address, across all segments. Terminate each segment at both ends, using either the termination switch (S801) of the frequency converters or a biased termination resistor network. Always use screened twisted pair (STP) cable for bus cabling, and always follow good common installation practice.

Low-impedance earth connection of the screen at every node is important, including at high frequencies. Thus, connect a large surface of the screen to earth, for example with a cable clamp or a conductive cable gland. It may be necessary to apply potential-equalizing cables to maintain the same earth potential throughout the network - particularly in installations with long cables.

To prevent impedance mismatch, always use the same type of cable throughout the entire network. When connecting a motor to the frequency converter, always use screened motor cable.

Cable	Screened twisted pair (STP)
Impedance	120 Ω
Cable length	Max. 1200 m (including drop lines) Max. 500 m station-to-station

Table 7.1

7.1.2 Network Connection

One or more frequency converters can be connected to a control (or master) using the RS-485 standardized interface. Terminal 68 is connected to the P signal (TX+, RX+), while terminal 69 is connected to the N signal (TX-,RX-). See drawings in 5.7.3 *Earthing of Screened/Armoured Control Cables*.

If more than one frequency converter is connected to a master, use parallel connections.

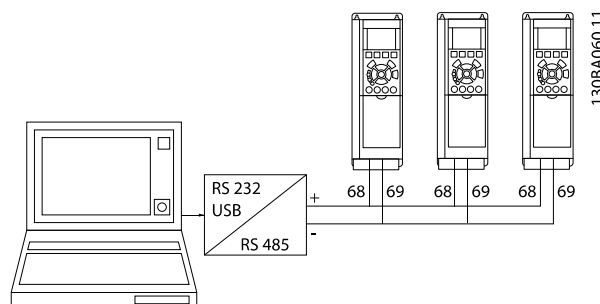


Illustration 7.1

In order to avoid potential equalizing currents in the screen, earth the cable screen via terminal 61, which is connected to the frame via an RC-link.

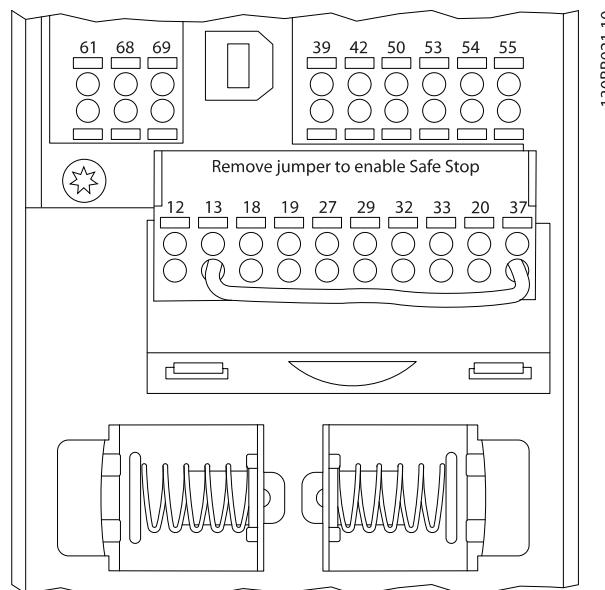


Illustration 7.2 Control Card Terminals

7.1.3 Frequency Converter Hardware Setup

Use the terminator dip switch on the main control board of the frequency converter to terminate the RS-485 bus.

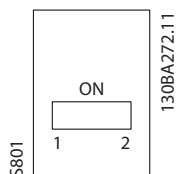


Illustration 7.3 Terminator Switch Factory Setting

The factory setting for the dip switch is OFF.

7.1.4 Frequency Converter Parameter Settings for Modbus Communication

The following parameters apply to the RS-485 interface (FC-port):

Parameter	Function
8-30 Protocol	Select the application protocol to run on the RS-485 interface
8-31 Address	Set the node address. Note: The address range depends on the protocol selected in 8-30 Protocol
8-32 Baud Rate	Set the baud rate. Note: The default baud rate depends on the protocol selected in 8-30 Protocol
8-33 Parity / Stop Bits	Set the parity and number of stop bits. Note: The default selection depends on the protocol selected in 8-30 Protocol
8-35 Minimum Response Delay	Specify a minimum delay time between receiving a request and transmitting a response. This can be used for overcoming modem turnaround delays.
8-36 Maximum Response Delay	Specify a maximum delay time between transmitting a request and receiving a response.
8-37 Maximum Inter-Char Delay	Specify a maximum delay time between two received bytes to ensure time-out if transmission is interrupted.

Table 7.2

7.1.5 EMC Precautions

The following EMC precautions are recommended in order to achieve interference-free operation of the RS-485 network.

Relevant national and local regulations, for example regarding protective earth connection, must be observed.

The RS-485 communication cable must be kept away from motor and brake resistor cables to avoid coupling of high frequency noise from one cable to another. Normally a distance of 200 mm (8 inches) is sufficient, but keeping the greatest possible distance between the cables is generally recommended, especially where cables run in parallel over long distances. When crossing is unavoidable, the RS-485 cable must cross motor and brake resistor cables at an angle of 90°.

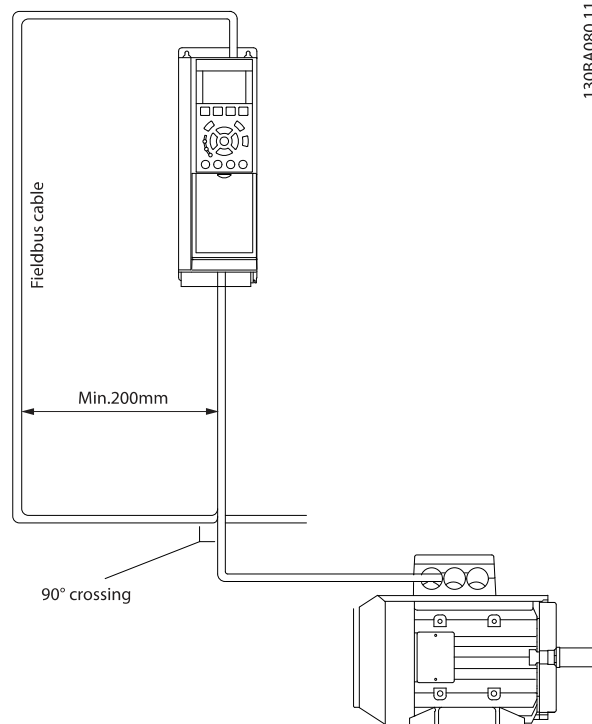


Illustration 7.4

7.2 FC Protocol Overview

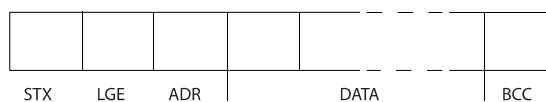
The FC protocol, also referred to as FC bus or Standard bus, is the Danfoss standard fieldbus. It defines an access technique according to the master-slave principle for communications via a serial bus.

One master and a maximum of 126 slaves can be connected to the bus. The master selects the individual slaves via an address character in the telegram. A slave itself can never transmit without first being requested to do so, and direct message transfer between the individual slaves is not possible. Communications occur in the half-duplex mode.

The master function cannot be transferred to another node (single-master system).

The physical layer is RS-485, thus utilizing the RS-485 port built into the frequency converter. The FC protocol supports different telegram formats:

- A short format of 8 bytes for process data.
- A long format of 16 bytes that also includes a parameter channel.
- A format used for texts.



195NA099.10

Illustration 7.6

7.2.1 Frequency Converter Set-up

Set the following parameters to enable the FC protocol for the frequency converter.

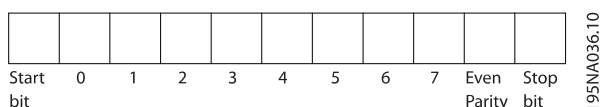
Parameter Number	Setting
8-30 Protocol	FC
8-31 Address	1 - 126
8-32 Baud Rate	2400 - 115200
8-33 Parity / Stop Bits	Even parity, 1 stop bit (default)

Table 7.3

7.3 FC Protocol Message Framing Structure

7.3.1 Content of a Character (byte)

Each character transferred begins with a start bit. Then 8 data bits are transferred, corresponding to a byte. Each character is secured via a parity bit. This bit is set at "1" when it reaches parity. Parity is when there is an equal number of 1s in the 8 data bits and the parity bit in total. A stop bit completes a character, thus consisting of 11 bits in all.



195NA036.10

Illustration 7.5

7.3.2 Telegram Structure

Each telegram has the following structure:

1. Start character (STX)=02 Hex
2. A byte denoting the telegram length (LGE)
3. A byte denoting the frequency converter address (ADR)

A number of data bytes (variable, depending on the type of telegram) follows.

A data control byte (BCC) completes the telegram.

7.3.3 Telegram Length (LGE)

The telegram length is the number of data bytes plus the address byte ADR and the data control byte BCC.

4 data bytes	LGE = 4 + 1 + 1 = 6 bytes
12 data bytes	LGE = 12 + 1 + 1 = 14 bytes
Telegrams containing texts	10 ¹ +n bytes

Table 7.4 Length of telegrams

¹⁾ The 10 represents the fixed characters, while the "n" is variable (depending on the length of the text).

7.3.4 Frequency Converter Address (ADR)

Two different address formats are used.

The address range of the frequency converter is either 1-31 or 1-126.

1. Address format 1-31:

Bit 7 = 0 (address format 1-31 active)

Bit 6 is not used

Bit 5 = 1: Broadcast, address bits (0-4) are not used

Bit 5 = 0: No Broadcast

Bit 0-4 = frequency converter address 1-31

2. Address format 1-126:

Bit 7 = 1 (address format 1-126 active)

Bit 0-6 = frequency converter address 1-126

Bit 0-6 = 0 Broadcast

The slave returns the address byte unchanged to the master in the response telegram.

7.3.5 Data Control Byte (BCC)

The checksum is calculated as an XOR-function. Before the first byte in the telegram is received, the Calculated Checksum is 0.

7.3.6 The Data Field

The structure of data blocks depends on the type of telegram. There are three telegram types, and the type applies for both control telegrams (master=>slave) and response telegrams (slave=>master).

The 3 types of telegram are:

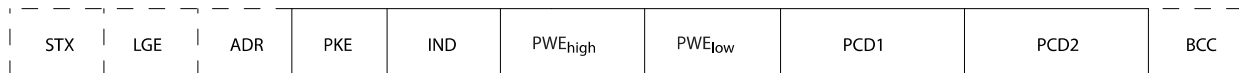


130BA269.10

Illustration 7.7

Parameter block

The parameter block is used to transfer parameters between master and slave. The data block is made up of 12 bytes (6 words) and also contains the process block.

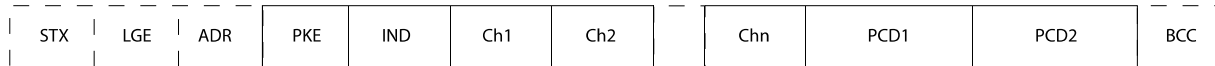


130BA271.10

Illustration 7.8

Text block

The text block is used to read or write texts via the data block.

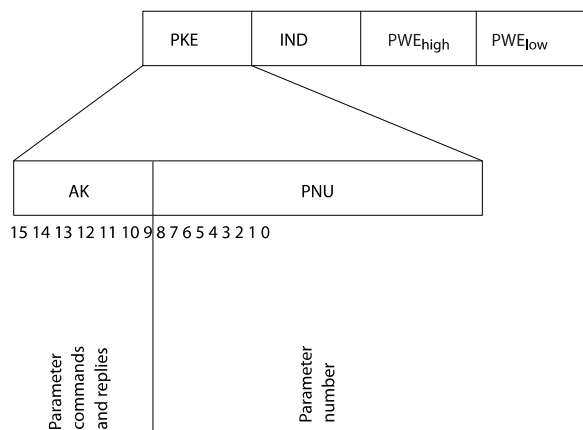


130BA270.10

Illustration 7.9

7.3.7 The PKE Field

The PKE field contains two sub-fields: Parameter command and response AK, and Parameter number PNU:



130BA268.10

Illustration 7.10

Bits no. 12-15 transfer parameter commands from master to slave and return processed slave responses to the master.

Bit no.				Parameter command
15	14	13	12	
0	0	0	0	No command
0	0	0	1	Read parameter value
0	0	1	0	Write parameter value in RAM (word)
0	0	1	1	Write parameter value in RAM (double word)
1	1	0	1	Write parameter value in RAM and EEprom (double word)
1	1	1	0	Write parameter value in RAM and EEprom (word)
1	1	1	1	Read/write text

Table 7.5 Parameter commands master ⇒ slave

Bit no.				Response
15	14	13	12	
0	0	0	0	No response
0	0	0	1	Parameter value transferred (word)
0	0	1	0	Parameter value transferred (double word)
0	1	1	1	Command cannot be performed
1	1	1	1	text transferred

Table 7.6 Response slave ⇒master

If the command cannot be performed, the slave sends this response:

0111 *Command cannot be performed*

- and issues the following fault report in the parameter value (PWE):

PWE low (Hex)	Fault Report
0	The parameter number used does not exist
1	There is no write access to the defined parameter
2	Data value exceeds the parameter's limits
3	The sub index used does not exist
4	The parameter is not the array type
5	The data type does not match the defined parameter
11	Data change in the defined parameter is not possible in the frequency converter's present mode. Certain parameters can only be changed when the motor is turned off
82	There is no bus access to the defined parameter
83	Data change is not possible because factory setup is selected

Table 7.7

7.3.8 Parameter Number (PNU)

Bits no. 0-11 transfer parameter numbers. The function of the relevant parameter is defined in the parameter description in .

7.3.9 Index (IND)

The index is used together with the parameter number to read/write-access parameters with an index, e.g. *15-30 Alarm Log: Error Code*. The index consists of 2 bytes, a low byte and a high byte.

Only the low byte is used as an index.

7.3.10 Parameter Value (PWE)

The parameter value block consists of 2 words (4 bytes), and the value depends on the defined command (AK). The master prompts for a parameter value when the PWE block contains no value. To change a parameter value (write), write the new value in the PWE block and send from the master to the slave.

When a slave responds to a parameter request (read command), the present parameter value in the PWE block is transferred and returned to the master. If a parameter contains not a numerical value but several data options, e.g. *0-01 Language* where [0] corresponds to English, and [4] corresponds to Danish, select the data value by entering the value in the PWE block. See Example - Selecting a data value. Serial communication is only capable of reading parameters containing data type 9 (text string).

15-40 FC Type to 15-53 Power Card Serial Number contain data type 9.

For example, read the unit size and mains voltage range in 15-40 FC Type. When a text string is transferred (read), the length of the telegram is variable, and the texts are of different lengths. The telegram length is defined in the second byte of the telegram, LGE. When using text transfer the index character indicates whether it is a read or a write command.

To read a text via the PWE block, set the parameter command (AK) to 'F' Hex. The index character high-byte must be "4".

Some parameters contain text that can be written to via the serial bus. To write a text via the PWE block, set the parameter command (AK) to 'F' Hex. The index characters high-byte must be "5".

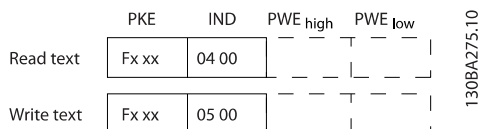


Illustration 7.11

7.3.11 Data Types Supported by the Frequency Converter

Unsigned means that there is no operational sign in the telegram.

Data types	Description
3	Integer 16
4	Integer 32
5	Unsigned 8
6	Unsigned 16
7	Unsigned 32
9	Text string
10	Byte string
13	Time difference
33	Reserved
35	Bit sequence

Table 7.8

7.3.12 Conversion

The various attributes of each parameter are displayed in Factory Setting. Parameter values are transferred as whole numbers only. Conversion factors are therefore used to transfer decimals.

4-12 Motor Speed Low Limit [Hz] has a conversion factor of 0.1. To preset the minimum frequency to 10 Hz, transfer

the value 100. A conversion factor of 0.1 means that the value transferred is multiplied by 0.1. The value 100 is therefore read as 10.0.

Examples:

0s ⇒ conversion index 0

0.00s ⇒ conversion index -2

0ms ⇒ conversion index -3

0.00ms ⇒ conversion index -5

Conversion index	Conversion factor
100	
75	
74	
67	
6	1000000
5	100000
4	10000
3	1000
2	100
1	10
0	1
-1	0.1
-2	0.01
-3	0.001
-4	0.0001
-5	0.00001
-6	0.000001
-7	0.0000001

Table 7.9 Conversion Table

7.3.13 Process Words (PCD)

The block of process words is divided into two blocks of 16 bits, which always occur in the defined sequence.

PCD 1	PCD 2
Control telegram (master⇒ slave Control word)	Reference-value
Control telegram (slave ⇒ master) Status word	Present output frequency

Table 7.10

7.4 Examples

7.4.1 Writing a Parameter Value

Change 4-14 Motor Speed High Limit [Hz] to 100 Hz. Write the data in EEPROM.

PKE = E19E Hex - Write single word in 4-14 Motor Speed High Limit [Hz]

IND = 0000 Hex
 PWEHIGH = 0000 Hex
 PWELOW = 03E8 Hex - Data value 1000, corresponding to 100 Hz, see Conversion.

The telegram will look like this:

E19E	H	0000	H	0000	H	03E8	H
PKE		IND		PWE _{high}		PWE _{low}	

130BA092.10

Illustration 7.12

NOTE

4-14 Motor Speed High Limit [Hz] is a single word, and the parameter command for write in EEPROM is "E". Parameter number 4-14 is 19E in hexadecimal.

The response from the slave to the master will be:

119E	H	0000	H	0000	H	03E8	H
PKE		IND		PWE _{high}		PWE _{low}	

130BA093.10

Illustration 7.13

7.4.2 Reading a Parameter Value

Read the value in *3-41 Ramp 1 Ramp Up Time*

PKE = 1155 Hex - Read parameter value in *3-41 Ramp 1 Ramp Up Time*
 IND = 0000 Hex
 PWEHIGH = 0000 Hex
 PWELOW = 0000 Hex

1155	H	0000	H	0000	H	0000	H
PKE		IND		PWE _{high}		PWE _{low}	

130BA094.10

Illustration 7.14

If the value in *3-41 Ramp 1 Ramp Up Time* is 10 s, the response from the slave to the master will be:

1155	H	0000	H	0000	H	03E8	H
PKE		IND		PWE _{high}		PWE _{low}	

130BA267.10

Illustration 7.15

3E8 Hex corresponds to 1000 decimal. The conversion index for *3-41 Ramp 1 Ramp Up Time* is -2, i.e. 0.01.

3-41 Ramp 1 Ramp Up Time is of the type *Unsigned 32*.

7.5 Modbus RTU Overview

7.5.1 Assumptions

Danfoss assumes that the installed controller supports the interfaces in this document, and strictly observe all requirements and limitations stipulated in the controller and frequency converter.

7.5.2 What the User Should Already Know

The Modbus RTU (Remote Terminal Unit) is designed to communicate with any controller that supports the interfaces defined in this document. It is assumed that the user has full knowledge of the capabilities and limitations of the controller.

7.5.3 Modbus RTU Overview

Regardless of the type of physical communication networks, the Modbus RTU Overview describes the process a controller uses to request access to another device. This process includes how the Modbus RTU responds to requests from another device, and how errors are detected and reported. It also establishes a common format for the layout and contents of message fields. During communications over a Modbus RTU network, the protocol determines:

- How each controller learns its device address
- Recognizes a message addressed to it
- Determines which actions to take
- Extracts any data or other information contained in the message

If a reply is required, the controller constructs the reply message and sends it. Controllers communicate using a master-slave technique in which only one device (the master) can initiate transactions (called queries). The other devices (slaves) respond by supplying the requested data to the master, or by taking the action requested in the query. The master can address individual slaves, or can initiate a broadcast message to all slaves. Slaves return a message (called a response) to queries that are addressed to them individually. No responses are returned to broadcast queries from the master. The Modbus RTU protocol establishes the format for the master's query by placing into it the device (or broadcast) address, a function code defining the requested action, any data to be sent, and an error-checking field. The slave's response message is also constructed using Modbus protocol. It contains fields confirming the action taken, any data to be returned, and an error-checking field. If an error occurs in receipt of the

message, or if the slave is unable to perform the requested action, the slave will construct an error message, and send it in response, or a time-out occurs.

7.5.4 Frequency Converter with Modbus RTU

The frequency converter communicates in Modbus RTU format over the built-in RS-485 interface. Modbus RTU provides access to the Control Word and Bus Reference of the frequency converter.

The Control Word allows the Modbus master to control several important functions of the frequency converter:

- Start
- Stop of the frequency converter in various ways:
 - Coast stop
 - Quick stop
 - DC Brake stop
 - Normal (ramp) stop
- Reset after a fault trip
- Run at a variety of preset speeds
- Run in reverse
- Change the active set-up
- Control the frequency converter's built-in relay

The Bus Reference is commonly used for speed control. It is also possible to access the parameters, read their values, and where possible, write values to them. This permits a range of control options, including controlling the setpoint of the frequency converter when its internal PI controller is used.

7.5.5 Frequency Converter with Modbus RTU

To enable Modbus RTU on the frequency converter, set the following parameters

Parameter	Setting
8-30 Protocol	Modbus RTU
8-31 Address	1 - 247
8-32 Baud Rate	2400 - 115200
8-33 Parity / Stop Bits	Even parity, 1 stop bit (default)

Table 7.11

7.6 Modbus RTU Message Framing Structure

7.6.1 Frequency Converter with Modbus RTU

The controllers are set up to communicate on the Modbus network using RTU (Remote Terminal Unit) mode, with each byte in a message containing 2 4-bit hexadecimal characters. The format for each byte is shown in Table 7.12.

Start bit	Data byte						Stop/parity	Stop

Table 7.12 Format for each byte

Coding System	8-bit binary, hexadecimal 0-9, A-F. 2 hexadecimal characters contained in each 8-bit field of the message
Bits Per Byte	1 start bit 8 data bits, least significant bit sent first 1 bit for even/odd parity; no bit for no parity 1 stop bit if parity is used; 2 bits if no parity
Error Check Field	Cyclical Redundancy Check (CRC)

Table 7.13

7.6.2 Modbus RTU Message Structure

The transmitting device places a Modbus RTU message into a frame with a known beginning and ending point. This allows receiving devices to begin at the start of the message, read the address portion, determine which device is addressed (or all devices, if the message is broadcast), and to recognise when the message is completed. Partial messages are detected and errors set as a result. Characters for transmission must be in hexadecimal 00 to FF format in each field. The frequency converter continuously monitors the network bus, also during 'silent' intervals. When the first field (the address field) is received, each frequency converter or device decodes it to determine which device is being addressed. Modbus RTU messages addressed to zero are broadcast messages. No response is permitted for broadcast messages. A typical message frame is shown in Table 7.14.

Start	Address	Function	Data	CRC check	End
T1-T2-T3-T4	8 bits	8 bits	N x 8 bits	16 bits	T1-T2-T3-T4

Table 7.14 Typical Modbus RTU Message Structure

7.6.3 Start/Stop Field

Messages start with a silent period of at least 3.5 character intervals. This is implemented as a multiple of character intervals at the selected network baud rate (shown as Start T1-T2-T3-T4). The first field to be transmitted is the device address. Following the last transmitted character, a similar period of at least 3.5 character intervals marks the end of the message. A new message can begin after this period. The entire message frame must be transmitted as a continuous stream. If a silent period of more than 1.5 character intervals occurs before completion of the frame, the receiving device flushes the incomplete message and assumes that the next byte will be the address field of a new message. Similarly, if a new message begins prior to 3.5 character intervals after a previous message, the receiving device will consider it a continuation of the previous message. This will cause a time-out (no response from the slave), since the value in the final CRC field will not be valid for the combined messages.

7.6.4 Address Field

The address field of a message frame contains 8 bits. Valid slave device addresses are in the range of 0 – 247 decimal. The individual slave devices are assigned addresses in the range of 1 – 247. (0 is reserved for broadcast mode, which all slaves recognize.) A master addresses a slave by placing the slave address in the address field of the message. When the slave sends its response, it places its own address in this address field to let the master know which slave is responding.

7.6.5 Function Field

The function field of a message frame contains 8 bits. Valid codes are in the range of 1-FF. Function fields are used to send messages between master and slave. When a message is sent from a master to a slave device, the function code field tells the slave what kind of action to perform. When the slave responds to the master, it uses the function code field to indicate either a normal (error-free) response, or that some kind of error occurred (called an exception response). For a normal response, the slave simply echoes the original function code. For an exception response, the slave returns a code that is equivalent to the original function code with its most significant bit set to logic 1. In addition, the slave places a unique code into the data field of the response message. This tells the master what kind of error occurred, or the reason for the

exception. Please also refer to *7.6.10 Function Codes Supported by Modbus RTU* and *7.6.11 Modbus Exception Codes*

7.6.6 Data Field

The data field is constructed using sets of two hexadecimal digits, in the range of 00 to FF hexadecimal. These are made up of one RTU character. The data field of messages sent from a master to slave device contains additional information which the slave must use to take the action defined by the function code. This can include items such as coil or register addresses, the quantity of items to be handled, and the count of actual data bytes in the field.

7.6.7 CRC Check Field

Messages include an error-checking field, operating on the basis of a Cyclical Redundancy Check (CRC) method. The CRC field checks the contents of the entire message. It is applied regardless of any parity check method used for the individual characters of the message. The CRC value is calculated by the transmitting device, which appends the CRC as the last field in the message. The receiving device recalculates a CRC during receipt of the message and compares the calculated value to the actual value received in the CRC field. If the two values are unequal, a bus time-out results. The error-checking field contains a 16-bit binary value implemented as two 8-bit bytes. When this is done, the low-order byte of the field is appended first, followed by the high-order byte. The CRC high-order byte is the last byte sent in the message.

7.6.8 Coil Register Addressing

In Modbus, all data are organized in coils and holding registers. Coils hold a single bit, whereas holding registers hold a 2-byte word (i.e. 16 bits). All data addresses in Modbus messages are referenced to zero. The first occurrence of a data item is addressed as item number zero. For example: The coil known as 'coil 1' in a programmable controller is addressed as coil 0000 in the data address field of a Modbus message. Coil 127 decimal is addressed as coil 007EHEX (126 decimal). Holding register 40001 is addressed as register 0000 in the data address field of the message. The function code field already specifies a 'holding register' operation. Therefore, the '4XXXX' reference is implicit. Holding register 40108 is addressed as register 006BHEX (107 decimal).

Coil Number	Description	Signal Direction
1-16	Frequency converter control word (see table below)	Master to slave
17-32	Frequency converter speed or set-point reference Range 0x0 – 0xFFFF (-200% ... ~200%)	Master to slave
33-48	Frequency converter status word (see table below)	Slave to master
49-64	Open loop mode: Frequency converter output frequency Closed loop mode: Frequency converter feedback signal	Slave to master
65	Parameter write control (master to slave)	
	0 =	Parameter changes are written to the RAM of the frequency converter
	1 =	Parameter changes are written to the RAM and EEPROM of the frequency converter.
66-65536	Reserved	

Table 7.15

Coil	0	1
01	Preset reference LSB	
02	Preset reference MSB	
03	DC brake	No DC brake
04	Coast stop	No coast stop
05	Quick stop	No quick stop
06	Freeze freq.	No freeze freq.
07	Ramp stop	Start
08	No reset	Reset
09	No jog	Jog
10	Ramp 1	Ramp 2
11	Data not valid	Data valid
12	Relay 1 off	Relay 1 on
13	Relay 2 off	Relay 2 on
14	Set up LSB	
15	Set up MSB	
16	No reversing	Reversing
Frequency converter control word (FC profile)		

Table 7.16

Coil	0	1
33	Control not ready	Control ready
34	Frequency converter not ready	Frequency converter ready
35	Coasting stop	Safety closed
36	No alarm	Alarm
37	Not used	Not used
38	Not used	Not used
39	Not used	Not used
40	No warning	Warning
41	Not at reference	At reference
42	Hand mode	Auto mode
43	Out of freq. range	In frequency range
44	Stopped	Running
45	Not used	Not used
46	No voltage warning	Voltage warning
47	Not in current limit	Current limit
48	No thermal warning	Thermal warning
Frequency converter status word (FC profile)		

Table 7.17

Holding registers	
Register Number	Description
00001-00006	Reserved
00007	Last error code from an FC data object interface
00008	Reserved
00009	Parameter index*
00010-00990	000 parameter group (parameters 001 through 099)
01000-01990	100 parameter group (parameters 100 through 199)
02000-02990	200 parameter group (parameters 200 through 299)
03000-03990	300 parameter group (parameters 300 through 399)
04000-04990	400 parameter group (parameters 400 through 499)
...	...
49000-49990	4900 parameter group (parameters 4900 through 4999)
50000	Input data: Frequency converter control word register (CTW).
50010	Input data: Bus reference register (REF).
...	...
50200	Output data: Frequency converter status word register (STW).
50210	Output data: Frequency converter main actual value register (MAV).

Table 7.18

* Used to specify the index number to be used when accessing an indexed parameter.

7.6.9 How to Control the Frequency Converter

This section describes codes which can be used in the function and data fields of a Modbus RTU message.

7.6.10 Function Codes Supported by Modbus RTU

Modbus RTU supports use of the following function codes in the function field of a message.

Function	Function Code
Read coils	1 hex
Read holding registers	3 hex
Write single coil	5 hex
Write single register	6 hex
Write multiple coils	F hex
Write multiple registers	10 hex
Get comm. event counter	B hex
Report slave ID	11 hex

Table 7.19

Function	Function Code	Sub-function code	Sub-function
Diagnostics	8	1	Restart communication
		2	Return diagnostic register
		10	Clear counters and diagnostic register
		11	Return bus message count
		12	Return bus communication error count
		13	Return bus exception error count
		14	Return slave message count

Table 7.20

7.6.11 Modbus Exception Codes

For a full explanation of the structure of an exception code response, please refer to *7.6.5 Function Field*.

Modbus Exception Codes		
Cod e	Name	Meaning
1	Illegal function	The function code received in the query is not an allowable action for the server (or slave). This may be because the function code is only applicable to newer devices, and was not implemented in the unit selected. It could also indicate that the server (or slave) is in the wrong state to process a request of this type, for example because it is not configured and is being asked to return register values.
2	Illegal data address	The data address received in the query is not an allowable address for the server (or slave). More specifically, the combination of reference number and transfer length is invalid. For a controller with 100 registers, a request with offset 96 and length 4 would succeed, a request with offset 96 and length 5 will generate exception 02.
3	Illegal data value	A value contained in the query data field is not an allowable value for server (or slave). This indicates a fault in the structure of the remainder of a complex request, such as that the implied length is incorrect. It specifically does NOT mean that a data item submitted for storage in a register has a value outside the expectation of the application program, since the Modbus protocol is unaware of the significance of any particular value of any particular register.
4	Slave device failure	An unrecoverable error occurred while the server (or slave) was attempting to perform the requested action.

Table 7.21

7.7 How to Access Parameters

7.7.1 Parameter Handling

The PNU (Parameter Number) is translated from the register address contained in the Modbus read or write message. The parameter number is translated to Modbus as (10 x parameter number) DECIMAL.

7.7.2 Storage of Data

The Coil 65 decimal determines whether data written to the frequency converter are stored in EEPROM and RAM (coil 65 = 1) or only in RAM (coil 65 = 0).

7.7.3 IND

The array index is set in Holding Register 9 and used when accessing array parameters.

7.7.4 Text Blocks

Parameters stored as text strings are accessed in the same way as the other parameters. The maximum text block size is 20 characters. If a read request for a parameter is for more characters than the parameter stores, the response is truncated. If the read request for a parameter is for fewer characters than the parameter stores, the response is space filled.

7.7.5 Conversion Factor

The different attributes for each parameter can be seen in the section on factory settings. Since a parameter value can only be transferred as a whole number, a conversion factor must be used to transfer decimals.

7.7.6 Parameter Values

Standard data types

Standard data types are int16, int32, uint8, uint16 and uint32. They are stored as 4x registers (40001 – 4FFFF). The parameters are read using function 03HEX "Read Holding Registers." Parameters are written using the function 6HEX "Preset Single Register" for 1 register (16 bits), and the function 10HEX "Preset Multiple Registers" for 2 registers (32 bits). Readable sizes range from 1 register (16 bits) up to 10 registers (20 characters).

Non standard data types

Non standard data types are text strings and are stored as 4x registers (40001 – 4FFFF). The parameters are read using function 03HEX "Read Holding Registers" and written using function 10HEX "Preset Multiple Registers." Readable sizes range from 1 register (2 characters) up to 10 registers (20 characters).

7.8 Examples

The following examples illustrate various Modbus RTU commands. If an error occurs, refer to .

7.8.1 Read Coil Status (01 HEX)

Description

This function reads the ON/OFF status of discrete outputs (coils) in the frequency converter. Broadcast is never supported for reads.

Query

The query message specifies the starting coil and quantity of coils to be read. Coil addresses start at zero, i.e. coil 33 is addressed as 32.

Example of a request to read coils 33-48 (Status Word) from slave device 01.

Field Name	Example (HEX)
Slave Address	01 (frequency converter address)
Function	01 (read coils)
Starting Address HI	00
Starting Address LO	20 (32 decimals) Coil 33
No. of Points HI	00
No. of Points LO	10 (16 decimals)
Error Check (CRC)	-

Table 7.22

Response

The coil status in the response message is packed as one coil per bit of the data field. Status is indicated as: 1 = ON; 0 = OFF. The LSB of the first data byte contains the coil addressed in the query. The other coils follow toward the high order end of this byte, and from 'low order to high order' in subsequent bytes.

If the returned coil quantity is not a multiple of eight, the remaining bits in the final data byte will be padded with zeros (toward the high order end of the byte). The Byte Count field specifies the number of complete bytes of data.

Field Name	Example (HEX)
Slave Address	01 (frequency converter address)
Function	01 (read coils)
Byte Count	02 (2 bytes of data)
Data (Coils 40-33)	07
Data (Coils 48-41)	06 (STW=0607hex)
Error Check (CRC)	-

Table 7.23

NOTE

Coils and registers are addressed explicit with an off-set of -1 in Modbus.

i.e. Coil 33 is addressed as Coil 32.

7.8.2 Force/Write Single Coil (05 HEX)

Description

This function forces the coil to either ON or OFF. When broadcast the function forces the same coil references in all attached slaves.

Query

The query message specifies the coil 65 (parameter write control) to be forced. Coil addresses start at zero, i.e. coil 65 is addressed as 64. Force Data = 00 00HEX (OFF) or FF 00HEX (ON).

Field Name	Example (HEX)
Slave Address	01 (Frequency converter address)
Function	05 (write single coil)
Coil Address HI	00
Coil Address LO	40 (64 decimal) Coil 65
Force Data HI	FF
Force Data LO	00 (FF 00 = ON)
Error Check (CRC)	-

Table 7.24

Response

The normal response is an echo of the query, returned after the coil state has been forced.

Field Name	Example (HEX)
Slave Address	01
Function	05
Force Data HI	FF
Force Data LO	00
Quantity of Coils HI	00
Quantity of Coils LO	01
Error Check (CRC)	-

Table 7.25

7.8.3 Force/Write Multiple Coils (0F HEX)

This function forces each coil in a sequence of coils to either ON or OFF. When broadcast the function forces the same coil references in all attached slaves.

The query message specifies the coils 17 to 32 (speed set-point) to be forced.

Field Name	Example (HEX)
Slave Address	01 (frequency converter address)
Function	0F (write multiple coils)
Coil Address HI	00
Coil Address LO	10 (coil address 17)
Quantity of Coils HI	00
Quantity of Coils LO	10 (16 coils)
Byte Count	02
Force Data HI (Coils 8-1)	20
Force Data LO (Coils 16-9)	00 (ref. = 2000 hex)
Error Check (CRC)	-

Table 7.26

Response

The normal response returns the slave address, function code, starting address, and quantity of coils forced.

Field Name	Example (HEX)
Slave Address	01 (frequency converter address)
Function	0F (write multiple coils)
Coil Address HI	00
Coil Address LO	10 (coil address 17)
Quantity of Coils HI	00
Quantity of Coils LO	10 (16 coils)
Error Check (CRC)	-

Table 7.27

7.8.4 Read Holding Registers (03 HEX)

Description

This function reads the contents of holding registers in the slave.

Query

The query message specifies the starting register and quantity of registers to be read. Register addresses start at zero, i.e. registers 1-4 are addressed as 0-3.

Example: Read 3-03 *Maximum Reference*, register 03030.

Field Name	Example (HEX)
Slave Address	01
Function	03 (read holding registers)
Starting Address HI	0B (Register address 3029)
Starting Address LO	D5 (Register address 3029)
No. of Points HI	00
No. of Points LO	02 - (Par. 3-03 is 32 bits long, i.e. 2 registers)
Error Check (CRC)	-

Table 7.28

Response

The register data in the response message are packed as two bytes per register, with the binary contents right justified within each byte. For each register, the first byte contains the high order bits and the second contains the low order bits.

Field Name	Example (HEX)
Slave Address	01
Function	03
Byte Count	04
Data HI (Register 3030)	00
Data LO (Register 3030)	16
Data HI (Register 3031)	E3
Data LO (Register 3031)	60
Error Check (CRC)	-

Table 7.29

7.8.5 Preset Single Register (06 HEX)**Description**

This function presets a value into a single holding register.

Query

The query message specifies the register reference to be preset. Register addresses start at zero, i.e. register 1 is addressed as 0.

Example: Write to *1-00 Configuration Mode*, register 1000.

Field Name	Example (HEX)
Slave Address	01
Function	06
Register Address HI	03 (Register address 999)
Register Address LO	E7 (Register address 999)
Preset Data HI	00
Preset Data LO	01
Error Check (CRC)	-

Table 7.30

Response

The normal response is an echo of the query, returned after the register contents have been passed.

Field Name	Example (HEX)
Slave Address	01
Function	06
Register Address HI	03
Register Address LO	E7
Preset Data HI	00
Preset Data LO	01
Error Check (CRC)	-

Table 7.31

7.8.6 Preset Multiple Registers (10 HEX)**Description**

This function presets values into a sequence of holding registers.

Query

The query message specifies the register references to be preset. Register addresses start at zero, i.e. register 1 is addressed as 0. Example of a request to preset two registers (set parameter 1-24=738 (7.38 A)):

Field Name	Example (HEX)
Slave Address	01
Function	10
Starting Address HI	04
Starting Address LO	D7
No. of Registers HI	00
No. of registers LO	02
Byte Count	04
Write Data HI (Register 4: 1049)	00
Write Data LO (Register 4: 1049)	00
Write Data HI (Register 4: 1050)	02
Write Data LO (Register 4: 1050)	E2
Error Check (CRC)	-

Table 7.32

Response

The normal response returns the slave address, function code, starting address, and quantity of registers preset.

Field Name	Example (HEX)
Slave Address	01
Function	10
Starting Address HI	04
Starting Address LO	D7
No. of Registers HI	00
No. of registers LO	02
Error Check (CRC)	-

Table 7.33

7.9 FC Control Profile

7.9.1 Control Word According to FC Profile (8-10 Control Profile = FC profile)

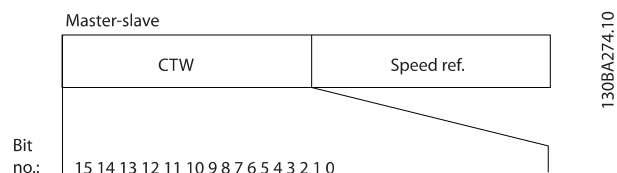


Illustration 7.16

Bit	Bit value = 0	Bit value = 1
00	Reference value	external selection lsb
01	Reference value	external selection msb
02	DC brake	Ramp
03	Coasting	No coasting
04	Quick stop	Ramp
05	Hold output frequency	use ramp
06	Ramp stop	Start
07	No function	Reset
08	No function	Jog
09	Ramp 1	Ramp 2
10	Data invalid	Data valid
11	No function	Relay 01 active
12	No function	Relay 02 active
13	Parameter set-up	selection lsb
14	Parameter set-up	selection msb
15	No function	Reverse

Table 7.34

Explanation of the Control Bits

Bits 00/01

Bits 00 and 01 are used to choose between the four reference values, which are pre-programmed in *3-10 Preset Reference* according to the following table:

Programmed ref. value	Parameter	Bit 01	Bit 00
1	3-10 Preset Reference [0]	0	0
2	3-10 Preset Reference [1]	0	1
3	3-10 Preset Reference [2]	1	0
4	3-10 Preset Reference [3]	1	1

Table 7.35

NOTE

Make a selection in *8-56 Preset Reference Select* to define how Bit 00/01 gates with the corresponding function on the digital inputs.

Bit 02, DC brake:

Bit 02 = '0' leads to DC braking and stop. Set braking current and duration in *2-01 DC Brake Current* and *2-02 DC Braking Time*. Bit 02 = '1' leads to ramping.

Bit 03, Coasting:

Bit 03 = '0': The frequency converter immediately "lets go" of the motor, (the output transistors are "shut off") and it coasts to a standstill. Bit 03 = '1': The frequency converter starts the motor if the other starting conditions are met.

Make a selection in *8-50 Coasting Select* to define how Bit 03 gates with the corresponding function on a digital input.

Bit 04, Quick stop:

Bit 04 = '0': Makes the motor speed ramp down to stop (set in *3-81 Quick Stop Ramp Time*).

Bit 05, Hold output frequency

Bit 05 = '0': The present output frequency (in Hz) freezes. Change the frozen output frequency only by means of the digital inputs (*5-10 Terminal 18 Digital Input* to *5-15 Terminal 33 Digital Input*) programmed to *Speed up* and *Slow down*.

NOTE

If Freeze output is active, the frequency converter can only be stopped by the following:

- Bit 03 Coasting stop
- Bit 02 DC braking
- Digital input (5-10 Terminal 18 Digital Input to 5-15 Terminal 33 Digital Input) programmed to DC braking, Coasting stop, or Reset and coasting stop.

Bit 06, Ramp stop/start:

Bit 06 = '0': Causes a stop and makes the motor speed ramp down to stop via the selected ramp down parameter.

Bit 06 = '1': Permits the frequency converter to start the motor, if the other starting conditions are met.

Make a selection in 8-53 Start Select to define how Bit 06 Ramp stop/start gates with the corresponding function on a digital input.

Bit 07, Reset: Bit 07 = '0': No reset. Bit 07 = '1': Resets a trip. Reset is activated on the signal's leading edge, i.e. when changing from logic '0' to logic '1'.

Bit 08, Jog:

Bit 08 = '1': The output frequency is determined by 3-19 Jog Speed [RPM].

Bit 09, Selection of ramp 1/2:

Bit 09 = "0": Ramp 1 is active (3-41 Ramp 1 Ramp Up Time to 3-42 Ramp 1 Ramp Down Time). Bit 09 = "1": Ramp 2 (3-51 Ramp 2 Ramp Up Time to 3-52 Ramp 2 Ramp Down Time) is active.

Bit 10, Data not valid/Data valid:

Tell the frequency converter whether to use or ignore the control word. Bit 10 = '0': The control word is ignored. Bit 10 = '1': The control word is used. This function is relevant because the telegram always contains the control word, regardless of the telegram type. Thus, you can turn off the control word if you do not want to use it when updating or reading parameters.

Bit 11, Relay 01:

Bit 11 = "0": Relay not activated. Bit 11 = "1": Relay 01 activated provided that Control word bit 11 is chosen in 5-40 Function Relay.

Bit 12, Relay 04:

Bit 12 = "0": Relay 04 is not activated. Bit 12 = "1": Relay 04 is activated provided that Control word bit 12 is chosen in 5-40 Function Relay.

Bit 13/14, Selection of set-up:

Use bits 13 and 14 to choose from the four menu set-ups according to the shown table.

Set-up	Bit 14	Bit 13
1	0	0
2	0	1
3	1	0
4	1	1

Table 7.36

The function is only possible when Multi Set-Ups is selected in 0-10 Active Set-up.

Make a selection in 8-55 Set-up Select to define how Bit 13/14 gates with the corresponding function on the digital inputs.

Bit 15 Reverse:

Bit 15 = '0': No reversing. Bit 15 = '1': Reversing. In the default setting, reversing is set to digital in 8-54 Reversing Select. Bit 15 causes reversing only when Ser. communication, Logic or or Logic and is selected.

7.9.2 Status Word According to FC Profile (STW) (8-10 Control Profile = FC profile)

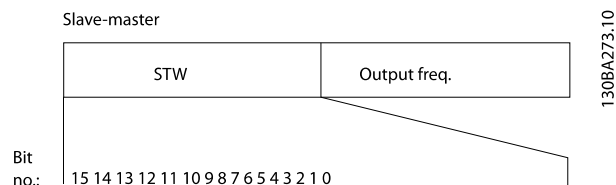


Illustration 7.17

Bit	Bit = 0	Bit = 1
00	Control not ready	Control ready
01	Drive not ready	Drive ready
02	Coasting	Enable
03	No error	Trip
04	No error	Error (no trip)
05	Reserved	-
06	No error	Triplock
07	No warning	Warning
08	Speed ≠ reference	Speed = reference
09	Local operation	Bus control
10	Out of frequency limit	Frequency limit OK
11	No operation	In operation
12	Drive OK	Stopped, auto start
13	Voltage OK	Voltage exceeded
14	Torque OK	Torque exceeded
15	Timer OK	Timer exceeded

Table 7.37

Explanation of the Status Bits

Bit 00, Control not ready/ready:

Bit 00 = '0': The frequency converter trips. Bit 00 = '1': The frequency converter controls are ready but the power component does not necessarily receive any power supply (in case of external 24V supply to controls).

Bit 01, Drive ready:

Bit 01 = '1': The frequency converter is ready for operation but the coasting command is active via the digital inputs or via serial communication.

Bit 02, Coasting stop:

Bit 02 = '0': The frequency converter releases the motor. Bit 02 = '1': The frequency converter starts the motor with a start command.

Bit 03, No error/trip:

Bit 03 = '0': The frequency converter is not in fault mode. Bit 03 = '1': The frequency converter trips. To re-establish operation, enter [Reset].

Bit 04, No error/error (no trip):

Bit 04 = '0': The frequency converter is not in fault mode. Bit 04 = "1": The frequency converter shows an error but does not trip.

Bit 05, Not used:

Bit 05 is not used in the status word.

Bit 06, No error / triplock:

Bit 06 = '0': The frequency converter is not in fault mode. Bit 06 = "1": The frequency converter is tripped and locked.

Bit 07, No warning/warning:

Bit 07 = '0': There are no warnings. Bit 07 = '1': A warning has occurred.

Bit 08, Speed ≠ reference/speed = reference:

Bit 08 = '0': The motor is running but the present speed is different from the preset speed reference. It might e.g. be the case when the speed ramps up/down during start/stop. Bit 08 = '1': The motor speed matches the preset speed reference.

Bit 09, Local operation/bus control:

Bit 09 = '0': [STOP/RESET] is activate on the control unit or *Local control* in 3-13 Reference Site is selected. You cannot control the frequency converter via serial communication. Bit 09 = '1' It is possible to control the frequency converter via the fieldbus / serial communication.

Bit 10, Out of frequency limit:

Bit 10 = '0': The output frequency has reached the value in 4-11 Motor Speed Low Limit [RPM] or 4-13 Motor Speed High Limit [RPM]. Bit 10 = "1": The output frequency is within the defined limits.

Bit 11, No operation/in operation:

Bit 11 = '0': The motor is not running. Bit 11 = '1': The frequency converter has a start signal or the output frequency is greater than 0 Hz.

Bit 12, Drive OK/stopped, autostart:

Bit 12 = '0': There is no temporary over temperature on the inverter. Bit 12 = '1': The inverter stops because of over temperature but the unit does not trip and will resume operation once the over temperature stops.

Bit 13, Voltage OK/limit exceeded:

Bit 13 = '0': There are no voltage warnings. Bit 13 = '1': The DC voltage in the frequency converter's intermediate circuit is too low or too high.

Bit 14, Torque OK/limit exceeded:

Bit 14 = '0': The motor current is lower than the torque limit selected in 4-18 *Current Limit*. Bit 14 = '1': The torque limit in 4-18 *Current Limit* is exceeded.

Bit 15, Timer OK/limit exceeded:

Bit 15 = '0': The timers for motor thermal protection and thermal protection are not exceeded 100%. Bit 15 = '1': One of the timers exceeds 100%.

All bits in the STW are set to '0' if the connection between the Interbus option and the frequency converter is lost, or an internal communication problem has occurred.

value 16384 (4000 Hex) corresponds to 100%. Negative figures are formatted by means of 2's complement. The Actual Output frequency (MAV) is scaled in the same way as the bus reference.

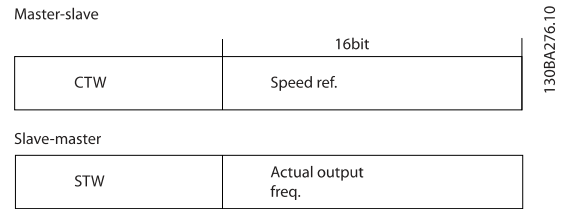


Illustration 7.18

7.9.3 Bus Speed Reference Value

Speed reference value is transmitted to the frequency converter in a relative value in %. The value is transmitted in the form of a 16-bit word; in integers (0-32767) the

The reference and MAV are scaled as follows:

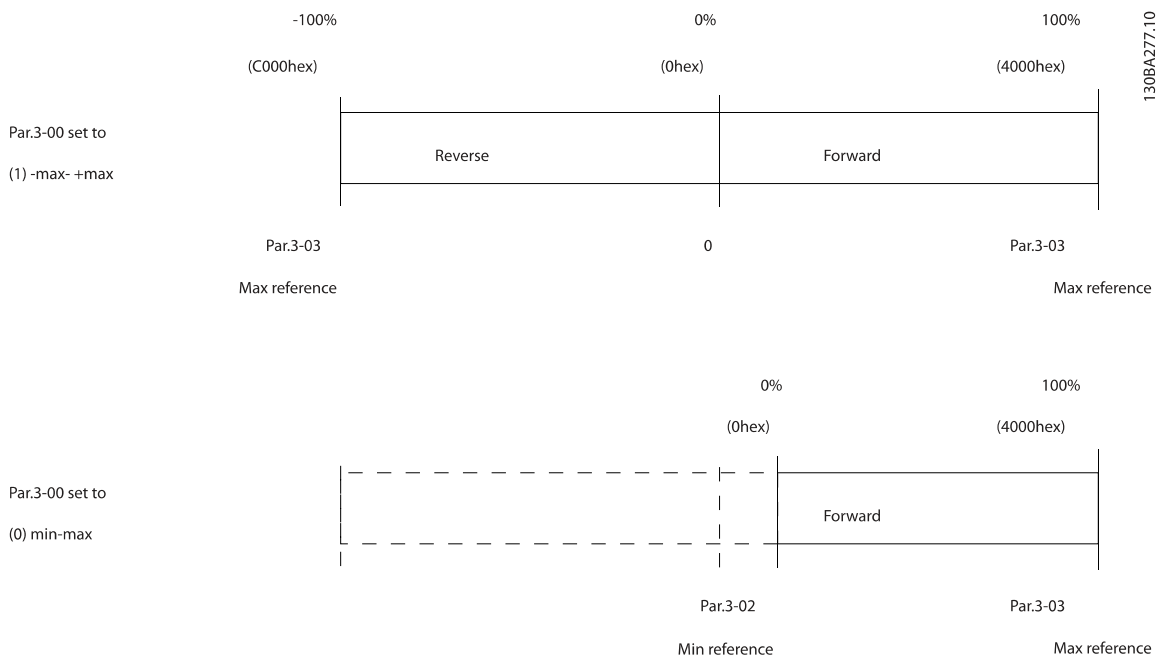


Illustration 7.19

8 General Specifications and Troubleshooting

8.1 General Specifications

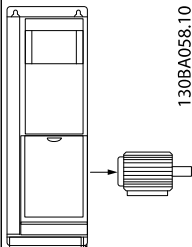
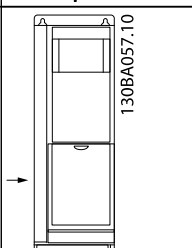
Mains supply 200-240 V AC - Normal overload 110% for 1 minute						
Frequency converter		P1K1	P1K5	P2K2	P3K0	P3K7
Typical Shaft Output [kW]		1.1	1.5	2.2	3	3.7
IP20/Chassis (A2+A3 may be converted to IP21 using a conversion kit. (See also <i>Mechanical mounting and IP21/Type 1 Enclosure kit</i> in the Design Guide.))		A2	A2	A2	A3	A3
IP55/Type 12		A4/A5	A4/A5	A4/A5	A5	A5
IP66/NEMA 4X		A4/A5	A4/A5	A4/A5	A5	A5
Typical Shaft Output [HP] at 208 V		1.5	2.0	2.9	4.0	4.9
Output current						
	Continuous (3x200-240 V) [A]	6.6	7.5	10.6	12.5	16.7
	Intermittent (3x200-240 V) [A]	7.3	8.3	11.7	13.8	18.4
	Continuous kVA (208 V AC) [kVA]	2.38	2.70	3.82	4.50	6.00
Max. input current						
	Continuous (3x200-240 V) [A]	5.9	6.8	9.5	11.3	15.0
	Intermittent (3x200-240 V) [A]	6.5	7.5	10.5	12.4	16.5
Additional specifications						
	Estimated power loss at rated max. load [W] ⁴⁾	63	82	116	155	185
	IP20, IP21 max. cable cross section (mains, motor, brake and load sharing) [mm ² (AWG)]	4, 4, 4 (12, 12, 12) (min. 0.2 (24))				
	IP55, IP66 max. cable cross section (mains, motor, brake and load sharing) [mm ² (AWG)]	4, 4, 4 (12, 12, 12)				
	Max. cable cross section with disconnect	6, 4, 4 (10, 12, 12)				
	Weight enclosure IP20 [kg]	4.9	4.9	4.9	6.6	6.6
	Weight enclosure IP21 [kg]	5.5	5.5	5.5	7.5	7.5
	Weight enclosure IP55 [kg] (A4/A5)	9.7/13.5	9.7/13.5	9.7/13.5	13.5	13.5
	Weight enclosure IP66 [kg] (A4/A5)	9.7/13.5	9.7/13.5	9.7/13.5	13.5	13.5
	Efficiency ³⁾	0.96	0.96	0.96	0.96	0.96

Table 8.1 Mains Supply 200-240 V AC



Mains Supply 3x200-240 V AC - Normal overload 110% for 1 minute												
Frequency converter												
Typical Shaft Output [kW]												
IP20/Chassis	P5K5	P7K5	P11K	P15K	P18K	P22K	P30K	P37K	P45K			
(B3+4 and C3+4 may be converted to IP21 using a conversion kit. (See also items Mechanical mounting and IP21/Type 1 Enclosure kit in the Design Guide.))	B3	B3	B3	B4	B4	C3	C3	C4	C4			
IP21/NEMA 1	B1	B1	B1	B2	C1	C1	C1	C2	C2			
IP55/Type 12	B1	B1	B1	B2	C1	C1	C1	C2	C2			
IP66/NEMA 4X	B1	B1	B1	B2	C1	C1	C1	C2	C2			
Typical Shaft Output [HP] at 208 V	7.5	10	15	20	25	30	40	50	60			
Output current												
	Continuous (3x200-240 V) [A]	24.2	30.8	46.2	59.4	74.8	88.0	115	143	170		
	Intermittent (3x200-240 V) [A]	26.6	33.9	50.8	65.3	82.3	96.8	127	157	187		
	Continuous kVA (208 V AC) [kVA]	8.7	11.1	16.6	21.4	26.9	31.7	41.4	51.5	61.2		
Max. input current												
	Continuous (3x200-240 V) [A]	22.0	28.0	42.0	54.0	68.0	80.0	104.0	130.0	154.0		
	Intermittent (3x200-240 V) [A]	24.2	30.8	46.2	59.4	74.8	88.0	114.0	143.0	169.0		
Additional Specifications												
Estimated power loss at rated max. load [W] ⁴⁾	269	310	447	602	737	845	1140	1353	1636			
IP20 max. cable cross-section (mains, brake, motor and load sharing)	10, 10 (8,8;-)		35,7-(2,7;-)	35 (2)	50 (1)	50 (1)	150 (300MCM)	150 (300MCM)	150 (300MCM)			
IP21, IP55, IP66 max. cable cross-section (mains, motor) [mm ² /AWG]	10, 10 (8,8;-)		35, 25, 25 (2, 4, 4)		50 (1)							
IP21, IP55, IP66 max. cable cross-section (brake, load sharing) [mm ² /AWG]	16, 10, 16 (6, 8, 6)		35,7-(2,7;-)		50 (1)				95 (3/0)			
With mains disconnect switch included:	16/6			35/2		35/2			70/3/0	185/kcmil	350	50
Weight enclosure IP20 [kg]	12	12	12	23.5	23.5	35	35	45	65			
Weight enclosure IP21 [kg]	23	23	23	27	45	45	45	65	65			
Weight enclosure IP55 [kg]	23	23	23	27	45	45	45	65	65			
Weight enclosure IP66 [kg]	23	23	23	27	45	45	45	65	65			
Efficiency ³⁾	0.96	0.96	0.96	0.96	0.96	0.97	0.97	0.97	0.97			

Table 8.2 Mains Supply 3x200-240 V AC

Mains Supply 3x380-480 V AC - Normal overload 110% for 1 minute										
Frequency converter										
Typical Shaft Output [kW]	P1K1	P1K5	P2K2	P3K0	P4K0	P5K5	P7K5			
Typical Shaft Output [HP] at 460 V	1.1	1.5	2.2	3	4	5.5	7.5			
	1.5	2.0	2.9	4.0	5.0	7.5	10			
IP20/Chassis	A2	A2	A2	A2	A2	A3	A3			
(A2+A3 may be converted to IP21 using a conversion kit. (Please see also items <i>Mechanical mounting and IP21/Type 1 Enclosure kit</i> in the Design Guide.))										
IP55/Type 12	A4/A5	A4/A5	A4/A5	A4/A5	A4/A5	A5	A5			
IP66/NEMA 4X	A4/A5	A4/A5	A4/A5	A4/A5	A4/A5	A5	A5			
Output current										
	Continuous (3x380-440 V) [A]	3	4.1	5.6	7.2	10	13	16		
	Intermittent (3x380-440 V) [A]	3.3	4.5	6.2	7.9	11	14.3	17.6		
	Continuous (3x441-480 V) [A]	2.7	3.4	4.8	6.3	8.2	11	14.5		
	Intermittent (3x441-480 V) [A]	3.0	3.7	5.3	6.9	9.0	12.1	15.4		
	Continuous kVA (400 V AC) [kVA]	2.1	2.8	3.9	5.0	6.9	9.0	11.0		
Continuous kVA (460 V AC) [kVA]	2.4	2.7	3.8	5.0	6.5	8.8	11.6			
Max. input current										
	Continuous (3x380-440 V) [A]	2.7	3.7	5.0	6.5	9.0	11.7	14.4		
	Intermittent (3x380-440 V) [A]	3.0	4.1	5.5	7.2	9.9	12.9	15.8		
	Continuous (3x441-480 V) [A]	2.7	3.1	4.3	5.7	7.4	9.9	13.0		
	Intermittent (3x441-480 V) [A]	3.0	3.4	4.7	6.3	8.1	10.9	14.3		
Additional specifications										
Estimated power loss at rated max. load [W] ⁴⁾	58	62	88	116	124	187	255			
IP20, IP21 max. cable cross section (mains, motor, brake and load sharing) [mm ² /AWG] ²⁾	4, 4, 4 (12, 12, 12) (min. 0.2 (24))									
IP55, IP66 max. cable cross section (mains, motor, brake and load sharing) [mm ² /AWG] ²⁾	4, 4, 4 (12, 12, 12)									
Max. cable cross section with disconnect	6, 4, 4 (10, 12, 12)									
Weight enclosure IP20 [kg]	4.8	4.9	4.9	4.9	4.9	6.6	6.6			
Weight enclosure IP21 [kg]										
Weight enclosure IP55 [kg] (A4/A5)	9.7/13.5	9.7/13.5	9.7/13.5	9.7/13.5	9.7/13.5	14.2	14.2			
Weight enclosure IP66 [kg] (A4/A5)	9.7/13.5	9.7/13.5	9.7/13.5	9.7/13.5	9.7/13.5	14.2	14.2			
Efficiency ³⁾	0.96	0.97	0.97	0.97	0.97	0.97	0.97			

Table 8.3 Mains Supply 3x380-480 V AC

Mains Supply 3x380-480 V AC - Normal overload 110% for 1 minute														
Frequency converter	P11K	P15K	P18K	P22K	P30K	P37K37	P45K	P55K	P75K	P90K				
Typical Shaft Output [kW]	11	15	18.5	22	30	30	45	55	75	90				
Typical Shaft Output [HP] at 460 V	15	20	25	30	40	50	60	75	100	125				
IP20/Chassis (B3+4 and C3+4 may be converted to IP21 using a conversion kit (Please contact Danfoss))	B3	B3	B3	B4	B4	B4	C3	C3	C4	C4				
IP21/NEMA 1	B1	B1	B1	B2	B2	C1	C1	C1	C2	C2				
IP55/Type 12	B1	B1	B1	B2	B2	C1	C1	C1	C2	C2				
IP66/NEMA 4X	B1	B1	B1	B2	B2	C1	C1	C1	C2	C2				
Output current														
	24	32	37.5	44	61	73	90	106	147	177				
	Continuous (3x380-439 V) [A]													
	Intermittent (3x380-439 V) [A]	26.4	35.2	41.3	48.4	67.1	80.3	99	117	162	195			
	Continuous (3x440-480 V) [A]	21	27	34	40	52	65	80	105	130	160			
	Intermittent (3x440-480 V) [A]	23.1	29.7	37.4	44	61.6	71.5	88	116	143	176			
Continuous kVA (400 V AC) [kVA]	16.6	22.2	26	30.5	42.3	50.6	62.4	73.4	102	123				
Continuous kVA 460 V AC [kVA]	16.7	21.5	27.1	31.9	41.4	51.8	63.7	83.7	104	128				
Max. input current														
	22	29	34	40	55	66	82	96	133	161				
	Continuous (3x380-439 V) [A]													
	Intermittent (3x380-439 V) [A]	24.2	31.9	37.4	44	60.5	72.6	90.2	106	146	177			
	Continuous (3x440-480 V) [A]	19	25	31	36	47	59	73	95	118	145			
	Intermittent (3x440-480 V) [A]	20.9	27.5	34.1	39.6	51.7	64.9	80.3	105	130	160			
Additional specifications														
Estimated power loss at rated max. load [W] ⁴⁾	278	392	465	525	698	739	843	1083	1384	1474				
IP20 max. cable cross-section (mains, brake, motor and load sharing)	16, 10, - (8, 8, -)		35, -, - (2, -, -)		35 (2)	50 (1)	150 (300 MCM)							
IP21, IP55, IP66 max. cable cross-section (mains, motor) [mm ² (AWG)]	10, 10, 16 (6, 8, 6)		35, 25, 25 (2, 4, 4)		50 (1)	150 (300 MCM)								
IP21, IP55, IP66 max. cable cross-section (brake, load sharing) [mm ² (AWG)]	10, 10, - (8, 8, -)		35, -, - (2, -, -)		50 (1)	95 (3/0)								
With mains disconnect switch included:											35/2	70/3/0	185/kcmil350	
Weight enclosure IP20 [kg]	12	12	12	23.5	23.5	23.5	35	35	50	50				
Weight enclosure IP21 [kg]	23	23	23	27	27	45	45	45	65	65				
Weight enclosure IP55 [kg]	23	23	23	27	27	45	45	45	65	65				
Weight enclosure IP66 [kg]	23	23	23	27	27	45	45	45	65	65				
Efficiency ³⁾	0.98	0.98	0.98	0.98	0.98	0.98	0.98	0.98	0.98	0.99				

Table 8.4 Mains Supply 3x380-480 V AC

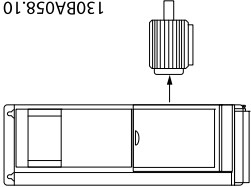
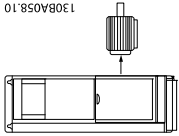
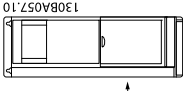
Mains supply 3x525-600 V AC Normal overload 110% for 1 minute													
Size:	P1K1	P1K5	P2K2	P3K0	P3K7	P4K0	P5K5	P7K5					
Typical Shaft Output [kW]	1.1	1.5	2.2	3	3.7	4	5.5	7.5					
IP20/Chassis	A3	A3	A3	A3	A2	A3	A3	A3					
IP21/NEMA 1	A3	A3	A3	A3	A2	A3	A3	A3					
IP55/Type 12	A5	A5	A5	A5	A5	A5	A5	A5					
IP66/NEMA 4X	A5	A5	A5	A5	A5	A5	A5	A5					
Output current													
	Continuous (3x525-550 V) [A]	2.6	2.9	4.1	5.2	6.4	9.5	11.5					
	Intermittent (3x525-550 V) [A]	2.9	3.2	4.5	5.7	7.0	10.5	12.7					
	Continuous (3x525-600 V) [A]	2.4	2.7	3.9	4.9	6.1	9.0	11.0					
	Intermittent (3x525-600 V) [A]	2.6	3.0	4.3	5.4	6.7	9.9	12.1					
	Continuous kVA (525 V AC) [kVA]	2.5	2.8	3.9	5.0	6.1	9.0	11.0					
	Continuous kVA (575 V AC) [kVA]	2.4	2.7	3.9	4.9	6.1	9.0	11.0					
	Continuous (3x525-600 V) [A]	2.4	2.7	4.1	5.2	5.8	8.6	10.4					
	Intermittent (3x525-600 V) [A]	2.7	3.0	4.5	5.7	6.4	9.5	11.5					
	Additional specifications												
	Estim. power loss at rated max. load [W] ⁴⁾	50	65	92	122	-	145	195	261				
IP20 max. cable cross-section (mains, motor, brake and load sharing) [mm ² (AWG)]	4, 4, 4 (12, 12, 12) (min. 0.2 (24))												
IP55, IP 66 max. cable cross-section (mains, motor, brake and load sharing) [mm ² (AWG)]	4, 4, 4 (12, 12, 12) (min. 0.2 (24))												
Max. cable cross-section with disconnect	6, 4, 4 (12, 12, 12)												
Mains disconnect switch included:	4/12												
Weight IP20 [kg]	6.5	6.5	6.5	6.5	-	6.5	6.6	6.6					
Weight IP21/55 [kg]	13.5	13.5	13.5	13.5	13.5	13.5	14.2	14.2					
Efficiency ⁴⁾	0.97	0.97	0.97	0.97	-	0.97	0.97	0.97					

 Table 8.5 ⁵⁾ With brake and load sharing 95/4/0

Mains supply 3x525-600 V AC Normal overload 110% for 1 minute												
Size:	P11K	P15K	P18K	P22K	P30K	P37K	P45K	P55K	P75K	P90K		
Typical Shaft Output [kW]	11	15	18.5	22	30	37	45	55	75	90		
IP20/Chassis	B3	B3	B3	B4	B4	B4	C3	C3	C4	C4		
IP21/NEMA 1	B1	B1	B1	B2	B2	C1	C1	C1	C2	C2		
IP55/Type 12	B1	B1	B1	B2	B2	C1	C1	C1	C2	C2		
IP66/NEMA 4X	B1	B1	B1	B2	B2	C1	C1	C1	C2	C2		
Output current												
	19	23	28	36	43	54	65	87	105	137		
	Continuous (3x525-550 V) [A]											
	21	25	31	40	47	59	72	96	116	151		
	Intermittent (3x525-550 V) [A]											
	18	22	27	34	41	52	62	83	100	131		
	Continuous (3x525-600 V) [A]											
	20	24	30	37	45	57	68	91	110	144		
Intermittent (3x525-600 V) [A]												
18.1	21.9	26.7	34.3	41	51.4	61.9	82.9	100	130.5			
Continuous kVA (525 V AC) [kVA]												
17.9	21.9	26.9	33.9	40.8	51.8	61.7	82.7	99.6	130.5			
Continuous kVA (575 V AC) [kVA]												
Max. input current												
17.2	20.9	25.4	32.7	39	49	59	78.9	95.3	124.3			
Continuous (3x525-600 V) [A]												
19	23	28	36	43	54	65	87	105	137			
Intermittent (3x525-600 V) [A]												
Additional specifications												
Estim. power loss at rated max. load [W] 4)	300	400	475	525	700	750	850	1100	1400	1500		
IP21, IP55, IP 66 max. cable cross-section (mains, brake and load sharing) [mm ² (AWG)]	16, 10, 10 (6, 8, 8)		35,-,-(2,-,-)		50,-,- (1,-,-)		95 (4/0)					
IP21, IP55, IP 66 max. cable cross-section (motor) [mm ² (AWG)]	10, 10, - (8, 8, -)		35, 25, 25 (2, 4, 4)		50,-,- (1,-,-)		150 (300 MCM)					
IP20 max. cable cross-section (mains, brake and load sharing) [mm ² (AWG)]	10, 10, - (8, 8, -)		35, -, - (2, -, -)		50,-,- (1,-,-)		150 (300 MCM)					
Max. cable cross-section with disconnect	16, 10, 10 (6, 8, 8)		50, 35, 35 (1, 2, 2)		95, 70, 70 (3/0, 2/0, 2/0)		185, 150, 120 (350 MCM, 300 MCM, 4/0)					
Mains disconnect switch included:	16/6		35/2		70/3/0		185/kcmil350					
Weight IP20 [kg]	12	12	23.5	23.5	23.5	27.5	35	35	50	50		
Weight IP21/55 [kg]	23	23	27	27	27	27	45	45	65	65		
Efficiency 4)	0.98	0.98	0.98	0.98	0.98	0.98	0.98	0.98	0.98	0.98		

Table 8.6 5) With brake and load sharing 95/4/0

8.1.1 Mains Supply 3x525-690 V AC

Normal overload 110% for 1 minute												
Size:	P11K	P15K	P18K	P22K	P30K	P37K	P45K	P55K	P75K	P90K		
Typical Shaft Output [kW]	11	15	18.5	22	30	37	45	55	75	90		
Typical Shaft Output [HP] at 575 V	10	16.4	20.1	24	33	40	50	60	75	100		
IP21/NEMA 1	B2	B2	B2	B2	B2	C2	C2	C2	C2	C2		
IP55/NEMA 12	B2	B2	B2	B2	B2	C2	C2	C2	C2	C2		
Output current												
	Continuous (3x525-550 V) [A]	14	19	23	28	43	54	65	87	105		
	Intermittent (3x525-550 V) [A]	15.4	20.9	25.3	30.8	47.3	59.4	71.5	95.7	115.5		
	Continuous (3x551-690 V) [A]	13	18	22	27	34	41	52	62	83	100	
	Intermittent (3x551-690 V) [A]	14.3	19.8	24.2	29.7	37.4	45.1	57.2	68.2	91.3	110	
	Continuous kVA (550 V AC) [kVA]	13.3	18.1	21.9	26.7	34.3	41	51.4	61.9	82.9	100	
	Continuous kVA (575 V AC) [kVA]	12.9	17.9	21.9	26.9	33.8	40.8	51.8	61.7	82.7	99.6	
	Continuous kVA (690 V AC) [kVA]	15.5	21.5	26.3	32.3	40.6	49	62.1	74.1	99.2	119.5	
	Max. cable size (mains, motor, brake) [mm ²]/[AWG] ²⁾			35 1/0							95 4/0	
	Max. input current											
		Continuous (3x525-690 V) [A]	15	19.5	24	29	49	59	71	87	99	
Intermittent (3x525-690 V) [A]		16.5	21.5	26.4	31.9	53.9	64.9	78.1	95.7	108.9		
Max. pre-fuses ¹⁾ [A]		63	63	63	63	80	100	125	160	160		
Environment:												
Estimated power loss at rated max. load [W] ⁴⁾		201	285	335	375	430	592	720	880	1200	1440	
Weight:												
IP21 [kg]		27	27	27	27	27	65	65	65	65	65	
IP55 [kg]		27	27	27	27	27	65	65	65	65	65	
Efficiency ⁴⁾		0.98	0.98	0.98	0.98	0.98	0.98	0.98	0.98	0.98	0.98	

1) For type of fuse see

2) American Wire Gauge

3) Measured using 5 m screened motor cables at rated load and rated frequency

4) The typical power loss is at normal load conditions and expected to be within +/- 15% (tolerance relates to variety in voltage and cable conditions).

Values are based on a typical motor efficiency. Lower efficiency motors will also add to the power loss in the frequency converter and vice versa.

If the switching frequency is raised from nominal the power losses may rise significantly.

LCP and typical control card power consumptions are included. Further options and customer load may add up to 30 W to the losses. (Though typically only 4 W extra for a fully loaded control card or options for slot A or slot B, each).

Although measurements are made with state of the art equipment, some measurement inaccuracy must be allowed for (±5%).

5) Motor and mains cable: 300MCM/150 mm²

Table 8.7 Mains Supply 3x525-690 V AC

Mains supply

Supply Terminals	L1, L2, L3
Supply voltage	200-240 V ±10%
Supply voltage	380-480 V ±10%
Supply voltage	525-600 V ±10%

Mains voltage low/mains drop-out:

During low mains voltage or a mains drop-out, the frequency converter continues until the intermediate circuit voltage drops below the minimum stop level, which corresponds typically to 15% below the frequency converter's lowest rated supply voltage. Power-up and full torque cannot be expected at mains voltage lower than 10% below the frequency converter's lowest rated supply voltage.

Supply frequency	50/60 Hz ±5%
Max. imbalance temporary between mains phases	3.0 % of rated supply voltage
True Power Factor (λ)	≥ 0.9 nominal at rated load
Displacement Power Factor ($\cos \phi$)	near unity (> 0.98)
Switching on input supply L1, L2, L3 (power-ups) ≤7.5 kW	maximum 2 times/min.
Switching on input supply L1, L2, L3 (power-ups) 11-75 kW	maximum 1 time/min.
Switching on input supply L1, L2, L3 (power-ups) ≥ 90 kW	maximum 1 time/2 min.
Environment according to EN60664-1	overvoltage category III/pollution degree 2

The unit is suitable for use on a circuit capable of delivering not more than 100,000 RMS symmetrical Amperes, 240/500/600/690 V maximum.

8

Motor output (U, V, W)

Output voltage	0 - 100% of supply voltage
Output frequency (1.1-90 kW)	0-1000 Hz
Output frequency (110-250 kW)	0-800 ¹⁾ Hz
Switching on output	Unlimited
Ramp times	0.01-3600 s

¹⁾ Voltage and power dependent

Torque characteristics

Starting torque (Constant torque)	maximum 110% for 1 min.*
Starting torque	maximum 135% up to 0.5 sec.*
Overload torque (Constant torque)	maximum 110% for 1 min.*

*Percentage relates to FC 103's nominal torque.

 Cable lengths and cross sections for control cables¹⁾

Max. motor cable length, screened	150 m
Max. motor cable length, unscreened	300 m
Maximum cross section to control terminals, flexible/ rigid wire without cable end sleeves	1.5 mm ² /16 AWG
Maximum cross section to control terminals, flexible wire with cable end sleeves	1 mm ² /18 AWG
Maximum cross section to control terminals, flexible wire with cable end sleeves with collar	0.5 mm ² /20 AWG
Minimum cross section to control terminals	0.25 mm ² /24AWG

¹⁾For power cables, see electrical data tables.

Digital inputs

Programmable digital inputs	4 (6) ¹⁾
Terminal number	18, 19, 27 ¹⁾ , 29 ¹⁾ , 32, 33,
Logic	PNP or NPN
Voltage level	0-24 V DC
Voltage level, logic '0' PNP	<5 V DC
Voltage level, logic '1' PNP	>10 V DC
Voltage level, logic '0' NPN ²⁾	>19 V DC
Voltage level, logic '1' NPN ²⁾	<14 V DC
Maximum voltage on input	28 V DC
Pulse frequency range	0-110 kHz

(Duty cycle) Min. pulse width	4.5 ms
Input resistance, R_i	approx. 4 k Ω

Safe Stop Terminal 37^{3, 4)} (Terminal 37 is fixed PNP logic)

Voltage level	0-24 V DC
Voltage level, logic'0' PNP	<4 V DC
Voltage level, logic'1' PNP	>20 V DC
Maximum voltage on input	28 V DC
Typical input current at 24 V	50 mA rms
Typical input current at 20 V	60 mA rms
Input capacitance	400 nF

All digital inputs are galvanically isolated from the supply voltage (PELV) and other high-voltage terminals.

¹⁾ Terminals 27 and 29 can also be programmed as output.

²⁾ Except Safe Stop input Terminal 37.

³⁾ See for further information about terminal 37 and Safe Stop.

⁴⁾ When using a contactor with a DC coil inside in combination with Safe Stop, it is important to make a return way for the current from the coil when turning it off. This can be done by using a freewheel diode (or, alternatively, a 30 or 50 V MOV for quicker response time) across the coil. Typical contactors can be bought with this diode.

Analog inputs

Number of analog inputs	2
Terminal number	53, 54
Modes	Voltage or current
Mode select	Switch S201 and switch S202
Voltage mode	Switch S201/switch S202 = OFF (U)
Voltage level	-10 to +10 V (scaleable)
Input resistance, R_i	approx. 10 k Ω
Max. voltage	± 20 V
Current mode	Switch S201/switch S202 = ON (I)
Current level	0/4 to 20 mA (scaleable)
Input resistance, R_i	approx. 200 Ω
Max. current	30 mA
Resolution for analog inputs	10 bit (+ sign)
Accuracy of analog inputs	Max. error 0.5% of full scale
Bandwidth	100 Hz

The analog inputs are galvanically isolated from the supply voltage (PELV) and other high-voltage terminals.

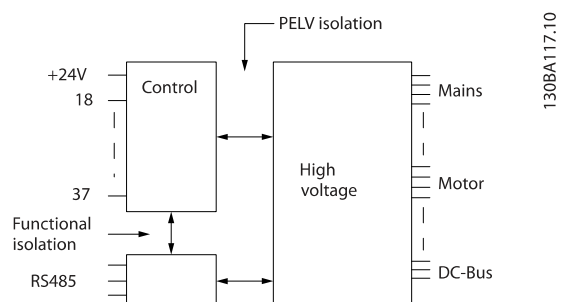


Illustration 8.1

Pulse inputs

Programmable pulse	2/1
Terminal number pulse	29, 33 ¹⁾ /32 ²⁾ , 33 ²⁾
Max. frequency at terminal 29, 32, 33	110 kHz (Push-pull driven)
Max. frequency at terminal 29, 32, 33	5 kHz (open collector)
Min. frequency at terminal 29, 32, 33	4 Hz
Voltage level	see 8.1.2 Digital Inputs
Maximum voltage on input	28 V DC

Input resistance, R_i	approx. 4 k Ω
Pulse input accuracy (0.1-1 kHz)	Max. error: 0.1% of full scale
Encoder input accuracy (1-11 kHz)	Max. error: 0.05 % of full scale

The pulse and encoder inputs (terminals 29, 32, 33) are galvanically isolated from the supply voltage (PELV) and other high-voltage terminals.

1) Pulse inputs are 29 and 33

2) Encoder inputs: 32 = A, and 33 = B

Analog output

Number of programmable analog outputs	1
Terminal number	42
Current range at analog output	0/4-20 mA
Max. load GND - analog output	500 Ω
Accuracy on analog output	Max. error: 0.5% of full scale
Resolution on analog output	12 bit

The analogue output is galvanically isolated from the supply voltage (PELV) and other high-voltage terminals.

Control card, RS-485 serial communication

Terminal number	68 (P,TX+, RX+), 69 (N,TX-, RX-)
Terminal number 61	Common for terminals 68 and 69

The RS-485 serial communication circuit is functionally separated from other central circuits and galvanically isolated from the supply voltage (PELV).

Digital output

Programmable digital/pulse outputs	2
Terminal number	27, 29 ¹⁾
Voltage level at digital/frequency output	0-24 V
Max. output current (sink or source)	40 mA
Max. load at frequency output	1 k Ω
Max. capacitive load at frequency output	10 nF
Minimum output frequency at frequency output	0 Hz
Maximum output frequency at frequency output	32 kHz
Accuracy of frequency output	Max. error: 0.1 % of full scale
Resolution of frequency outputs	12 bit

¹⁾ Terminal 27 and 29 can also be programmed as input.

The digital output is galvanically isolated from the supply voltage (PELV) and other high-voltage terminals.

Control card, 24 V DC output

Terminal number	12, 13
Output voltage	24 V +1, -3 V
Max. load	200 mA

The 24 V DC supply is galvanically isolated from the supply voltage (PELV), but has the same potential as the analog and digital inputs and outputs.

Relay outputs

Programmable relay outputs

Relay 01 Terminal number	1-3 (break), 1-2 (make)
Max. terminal load (AC-1) ¹⁾ on 1-3 (NC), 1-2 (NO) (Resistive load)	240 V AC, 2 A
Max. terminal load (AC-15) ¹⁾ (Inductive load @ $\cos\phi$ 0.4)	240 V AC, 0.2 A
Max. terminal load (DC-1) ¹⁾ on 1-2 (NO), 1-3 (NC) (Resistive load)	60 V DC, 1 A
Max. terminal load (DC-13) ¹⁾ (Inductive load)	24 V DC, 0.1 A
Relay 02 Terminal number	4-6 (break), 4-5 (make)
Max. terminal load (AC-1) ¹⁾ on 4-5 (NO) (Resistive load) ²⁾³⁾ Overvoltage cat. II	400 V AC, 2 A
Max. terminal load (AC-15) ¹⁾ on 4-5 (NO) (Inductive load @ $\cos\phi$ 0.4)	240 V AC, 0.2 A
Max. terminal load (DC-1) ¹⁾ on 4-5 (NO) (Resistive load)	80 V DC, 2 A
Max. terminal load (DC-13) ¹⁾ on 4-5 (NO) (Inductive load)	24 V DC, 0.1 A

Max. terminal load (AC-1) ¹⁾ on 4-6 (NC) (Resistive load)	240 V AC, 2 A
Max. terminal load (AC-15) ¹⁾ on 4-6 (NC) (Inductive load @ cosφ 0.4)	240 V AC, 0.2 A
Max. terminal load (DC-1) ¹⁾ on 4-6 (NC) (Resistive load)	50 V DC, 2 A
Max. terminal load (DC-13) ¹⁾ on 4-6 (NC) (Inductive load)	24 V DC, 0.1 A
Min. terminal load on 1-3 (NC), 1-2 (NO), 4-6 (NC), 4-5 (NO)	24 V DC 10 mA, 24 V AC 20 mA
Environment according to EN 60664-1	overvoltage category III/pollution degree 2

¹⁾ IEC 60947 part 4 and 5

The relay contacts are galvanically isolated from the rest of the circuit by reinforced isolation (PELV).

²⁾ Overvoltage Category II

³⁾ UL applications 300 V AC 2A

Control card, 10 V DC output

Terminal number	50
Output voltage	10.5 V ±0.5 V
Max. load	15 mA

The 10 V DC supply is galvanically isolated from the supply voltage (PELV) and other high-voltage terminals.

Control characteristics

Resolution of output frequency at 0-1000 Hz	± 0.003 Hz
Repeat accuracy of <i>Precise start/stop</i> (terminals 18, 19)	±0.1 ms
System response time (terminals 18, 19, 27, 29, 32, 33)	≤ 2 ms
Speed control range (open loop)	1:100 of synchronous speed
Speed control range (closed loop)	1:1000 of synchronous speed
Speed accuracy (open loop)	30-4000 rpm: error ±8 rpm
Speed accuracy (closed loop), depending on resolution of feedback device	0-6000 rpm: error ±0.15 rpm
Torque control accuracy (speed feedback)	max error ±5% of rated torque

All control characteristics are based on a 4-pole asynchronous motor

Environment

Enclosure	IP20 ¹⁾ /Type 1, IP21 ²⁾ /Type 1, IP55/Type 12, IP66
Vibration test	1.0 g
Max. relative humidity	5% - 93% (IEC 721-3-3; Class 3K3 (non-condensing) during operation
Aggressive environment (IEC 60068-2-43) H ₂ S test	class Kd
Ambient temperature ³⁾	Max. 50 °C (24-hour average maximum 45 °C)

¹⁾ Only for ≤ 3.7 kW (200-240 V), ≤ 7.5 kW (380-480 V)

²⁾ As enclosure kit for ≤ 3.7 kW (200-240 V), ≤ 7.5 kW (380-480 V)

³⁾ Derating for high ambient temperature, see special conditions in the Design Guide

Minimum ambient temperature during full-scale operation	0 °C
Minimum ambient temperature at reduced performance	- 10 °C
Temperature during storage/transport	-25 - +65/70 °C
Maximum altitude above sea level without derating	1000 m

Derating for high altitude, see special conditions in the Design Guide

EMC standards, Emission	EN 61800-3, EN 61000-6-3/4, EN 55011 EN 61800-3, EN 61000-6-1/2,
EMC standards, Immunity	EN 61000-4-2, EN 61000-4-3, EN 61000-4-4, EN 61000-4-5, EN 61000-4-6

See section on special conditions in the Design Guide.

Control card performance

Scan interval	1 ms
---------------	------

Control card, USB serial communication

USB standard	1.1 (Full speed)
USB plug	USB type B "device" plug

Connection to PC is carried out via a standard host/device USB cable.

The USB connection is galvanically isolated from the supply voltage (PELV) and other high-voltage terminals.

The USB ground connection is not galvanically isolated from protection earth. Use only an isolated laptop as PC connection to the USB connector on the frequency converter.

Protection and Features

- Electronic thermal motor protection against overload.
- Temperature monitoring of the heatsink ensures that the frequency converter trips if the temperature reaches a predefined level. An overload temperature cannot be reset until the temperature of the heatsink is below the values stated in the tables on the following pages (Guideline - these temperatures may vary for different power sizes, frame sizes, enclosure ratings etc.).
- The frequency converter is protected against short-circuits on motor terminals U, V, W.
- If a mains phase is missing, the frequency converter trips or issues a warning (depending on the load).
- Monitoring of the intermediate circuit voltage ensures that the frequency converter trips if the intermediate circuit voltage is too low or too high.
- The frequency converter constantly checks for critical levels of internal temperature, load current, high voltage on the intermediate circuit and low motor speeds. As a response to a critical level, the frequency converter can adjust the switching frequency and/ or change the switching pattern in order to ensure the performance of the frequency converter.

8.2 Efficiency

Efficiency of the (η_{DRIVE})

The load on the has little effect on its efficiency. In general, the efficiency is the same at the rated motor frequency f_{M,N}, even if the motor supplies 100% of the rated shaft torque or only 75%, i.e. in case of part loads.

This also means that the efficiency of the does not change even if other U/f characteristics are chosen. However, the U/f characteristics influence the efficiency of the motor.

The efficiency declines a little when the switching frequency is set to a value of above 5 kHz. The efficiency will also be slightly reduced if the mains voltage is 480V, or if the motor cable is longer than 30m.

efficiency calculation

Calculate the efficiency of the at different loads based on *Illustration 8.2*. The factor in this graph must be multiplied with the specific efficiency factor listed in the specification tables:

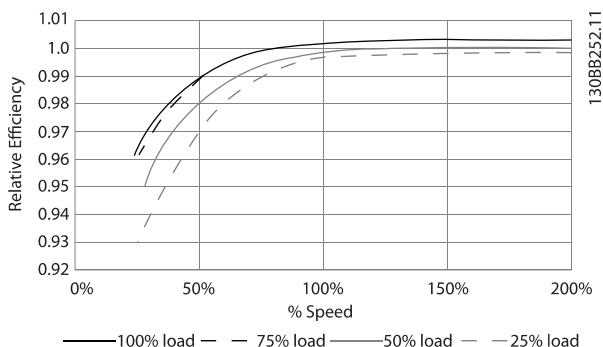


Illustration 8.2 Typical Efficiency Curves

Example: Assume a 55kW, 380-480V AC at 25% load at 50% speed. The graph is showing 0,97 - rated efficiency for a 55kW FC is 0.98. The actual efficiency is then: 0.97x0.98=0.95.

Efficiency of the motor (η_{MOTOR})

The efficiency of a motor connected to the frequency converter depends on magnetizing level. In general, the efficiency is just as good as with mains operation. The efficiency of the motor depends on the type of motor.

In the range of 75-100% of the rated torque, the efficiency of the motor is practically constant, both when it is controlled by the and when it runs directly on mains.

In small motors, the influence from the U/f characteristic on efficiency is marginal. However, in motors from 11kW and up, the advantages are significant.

In general, the switching frequency does not affect the efficiency of small motors. Motors from 11kW and up have their efficiency improved (1-2%). This is because the sine shape of the motor current is almost perfect at high switching frequency.

Efficiency of the system (η_{SYSTEM})

To calculate the system efficiency, the efficiency of the (η_{DRIVE}) is multiplied by the efficiency of the motor (η_{MOTOR}):

$$\eta_{SYSTEM} = \eta_{DRIVE} \times \eta_{MOTOR}$$

8.3 Acoustic noise

The acoustic noise from the comes from three sources:

1. DC intermediate circuit coils.
2. Integral fan.
3. RFI filter choke.

The typical values measured at a distance of 1 m from the unit:

Enclosure	At reduced fan speed (50%) [dBA] *	Full fan speed [dBA]
A2	51	60
A3	51	60
A5	54	63
B1	61	67
B2	58	70
B3	59.4	70.5
B4	53	62.8
C1	52	62
C2	55	65
C3	56.4	67.3
C4	-	-
D1/D3	74	76
D2/D4	73	74
*		
**		

* For frame size D, reduced fan speed is at 87%, measured at 200V.

Table 8.8

8.4 Peak Voltage on Motor

When a transistor in the inverter bridge switches, the voltage across the motor increases by a du/dt ratio depending on:

- the motor cable (type, cross-section, length screened or unscreened)
- inductance

The natural induction causes an overshoot U_{PEAK} in the motor voltage before it stabilizes itself at a level depending on the voltage in the intermediate circuit. The rise time and the peak voltage U_{PEAK} affect the service life of the motor. If the peak voltage is too high, especially motors without phase coil insulation are affected. If the motor cable is short (a few metres), the rise time and peak voltage are lower.

If the motor cable is long (100m), the rise time and peak voltage increases.

In motors without phase insulation paper or other insulation reinforcement suitable for operation with voltage supply (such as a frequency converter), fit a sine-wave filter on the output of the frequency converter.

To obtain approximate values for cable lengths and voltages not mentioned below, use the following rules of thumb:

1. Rise time increases/decreases proportionally with cable length.
2. $U_{PEAK} = \text{DC link voltage} \times 1.9$
(DC link voltage = Mains voltage \times 1.35).
3.
$$dU \Big|_{dt} = \frac{0.8 \times U_{PEAK}}{\text{Risetime}}$$

Data are measured according to IEC 60034-17.
Cable lengths are in metres.

Frequency converter, P5K5, T2				
Cable length [m]	Mains voltage [V]	Rise time [μsec]	Vpeak [kV]	dU/dt [kV/ μsec]
36	240	0.226	0.616	2.142
50	240	0.262	0.626	1.908
100	240	0.650	0.614	0.757
150	240	0.745	0.612	0.655

Table 8.9

Frequency converter, P7K5, T2				
Cable length [m]	Mains voltage [V]	Rise time [μsec]	011893-0001	dU/dt [kV/ μsec]
5	230	0.13	0.510	3.090
50	230	0.23	0.590	2.034
100	230	0.54	0.580	0.865
150	230	0.66	0.560	0.674

Table 8.10

Frequency converter, P11K, T2				
Cable length [m]		Rise time [μsec]	Vpeak [kV]	dU/dt [kV/ μsec]
36	240	0.264	0.624	1.894
136	240	0.536	0.596	0.896
150	240	0.568	0.568	0.806

Table 8.11

Frequency converter, P15K, T2				
Cable length [m]	Mains voltage [V]	Rise time [μsec]	Vpeak [kV]	dU/dt [kV/ μsec]
30	240	0.556	0.650	0.935
100	240	0.592	0.594	0.807
150	240	0.708	0.575	0.669

Table 8.12

Frequency converter, P18K, T2				
Cable length [m]	Mains voltage [V]	Rise time [µsec]	Vpeak [kV]	dU/dt [kV/µsec]
36	240	0.244	0.608	1.993
136	240	0.568	0.580	0.832
150	240	0.720	0.574	0.661

Table 8.13

Frequency converter, P22K, T2				
Cable length [m]	Mains voltage [V]	Rise time [µsec]	Vpeak [kV]	dU/dt [kV/µsec]
36	240	0.244	0.608	1.993
136	240	0.560	0.580	0.832
150	240	0.720	0.574	0.661

Table 8.14

Frequency converter, P30K, T2				
Cable length [m]	Mains voltage [V]	Rise time [µsec]	Vpeak [kV]	dU/dt [kV/µsec]
15	240	0.194	0.626	2.581
50	240	0.252	0.574	1.929
150	240	0.444	0.538	0.977

Table 8.15

Frequency converter, P37K, T2				
Cable length [m]	Mains voltage [V]	Rise time [µsec]	Vpeak [kV]	dU/dt [kV/µsec]
30	240	0.300	0.598	1.593
100	240	0.536	0.566	0.843
150	240	0.776	0.546	0.559

Table 8.16

Frequency converter, P45K, T2				
Cable length [m]	Mains voltage [V]	Rise time [µsec]	Vpeak [kV]	dU/dt [kV/µsec]
30	240	0.300	0.598	1.593
100	240	0.536	0.566	0.843
150	240	0.776	0.546	0.559

Table 8.17

Frequency converter, P1K5, T4				
Cable length [m]	Mains voltage [V]	Rise time [µsec]	Vpeak [kV]	dU/dt [kV/µsec]
5	400	0.640	0.690	0.862
50	400	0.470	0.985	0.985
150	400	0.760	1.045	0.947

Table 8.18

Frequency converter, P4K0, T4				
Cable length [m]	Mains voltage [V]	Rise time [μ sec]	Vpeak [kV]	dU/dt [kV/ μ sec]
5	400	0.172	0.890	4.156
50	400	0.310		2.564
150	400	0.370	1.190	1.770

Table 8.19

Frequency converter, P7K5, T4				
Cable length [m]	Mains voltage [V]	Rise time [μ sec]	Vpeak [kV]	dU/dt [kV/ μ sec]
5	400	0.04755	0.739	8.035
50	400	0.207	1.040	4.548
150	400	0.6742	1.030	2.828

Table 8.20

Frequency converter, P11K, T4				
Cable length [m]	Mains voltage [V]	Rise time [μ sec]	Vpeak [kV]	dU/dt [kV/ μ sec]
15	400	0.408	0.718	1.402
100	400	0.364	1.050	2.376
150	400	0.400	0.980	2.000

Table 8.21

Frequency converter, P15K, T4				
Cable length [m]	Mains voltage [V]	Rise time [μ sec]	Vpeak [kV]	dU/dt [kV/ μ sec]
36	400	0.422	1.060	2.014
100	400	0.464	0.900	1.616
150	400	0.896	1.000	0.915

Table 8.22

Frequency converter, P18K, T4				
Cable length [m]	Mains voltage [V]	Rise time [μ sec]	Vpeak [kV]	dU/dt [kV/ μ sec]
36	400	0.344	1.040	2.442
100	400	1.000	1.190	0.950
150	400	1.400	1.040	0.596

Table 8.23

Frequency converter, P22K, T4				
Cable length [m]	Mains voltage [V]	Rise time [μ sec]	Vpeak [kV]	dU/dt [kV/ μ sec]
36	400	0.232	0.950	3.534
100	400	0.410	0.980	1.927
150	400	0.430	0.970	1.860

Table 8.24

Frequency converter, P30K, T4				
Cable length [m]	Mains voltage [V]	Rise time [μsec]	Vpeak [kV]	dU/dt [kV/μsec]
15	400	0.271	1.000	3.100
100	400	0.440	1.000	1.818
150	400	0.520	0.990	1.510

Table 8.25

Frequency converter, P37K, T4				
Cable length [m]	Mains voltage	Rise time [μsec]	Vpeak [kV]	dU/dt [kV/μsec]
5	480	0.270	1.276	3.781
50	480	0.435	1.184	2.177
100	480	0.840	1.188	1.131
150	480	0.940	1.212	1.031

Table 8.26

Frequency converter, P45K, T4				
Cable length [m]	Mains voltage [V]	Rise time [μsec]	Vpeak [kV]	dU/dt [kV/μsec]
36	400	0.254	1.056	3.326
50	400	0.465	1.048	1.803
100	400	0.815	1.032	1.013
150	400	0.890	1.016	0.913

Table 8.27

Frequency converter, P55K, T4				
Cable length [m]	Mains voltage [V]	Rise time [μsec]	Vpeak [kV]	dU/dt [kV/μsec]
10	400	0.350	0.932	2.130

Table 8.28

Frequency converter, P75K, T4				
Cable length [m]	Mains voltage [V]	Rise time [μsec]	Vpeak [kV]	dU/dt [kV/μsec]
5	480	0.371	1.170	2.466

Table 8.29

Frequency converter, P90K, T4				
Cable length [m]	Mains voltage [V]	Rise time [μsec]	Vpeak [kV]	dU/dt [kV/μsec]
5	400	0.364	1.030	2.264

Table 8.30

High Power Range:

Frequency converter, P110 - P250, T4				
Cable length [m]	Mains voltage [V]	Rise time [μsec]	Vpeak [kV]	dU/dt [kV/μsec]
30	400	0.34	1.040	2.447

Table 8.31

8.5 Special Conditions

8.5.1 Purpose of Derating

Take derating into account when using the at low air pressure (heights), at low speeds, with long motor cables, cables with a large cross section or at high ambient temperature. The required action is described in this section.

8.5.2 Derating for Ambient Temperature

90% output current can be maintained up to max. 50 °C ambient temperature.

With a typical full load current of EFF 2 motors, full output shaft power can be maintained up to 50 °C.

For more specific data and/or derating information for other motors or conditions, please contact Danfoss.

8.5.3 Automatic Adaptations to Ensure Performance

The constantly checks for critical levels of internal temperature, load current, high voltage on the intermediate circuit and low motor speeds. As a response to a critical level, the can adjust the switching frequency and / or change the switching pattern in order to ensure the performance of the . The capability to automatically reduce the output current extends the acceptable operating conditions even further.

8.5.4 Derating for Low Air Pressure

The cooling capability of air is decreased at lower air pressure.

Below 1000m altitude no derating is necessary but above 1000m the ambient temperature (T_{AMB}) or max. output current (I_{out}) should be derated in accordance with the shown diagram.

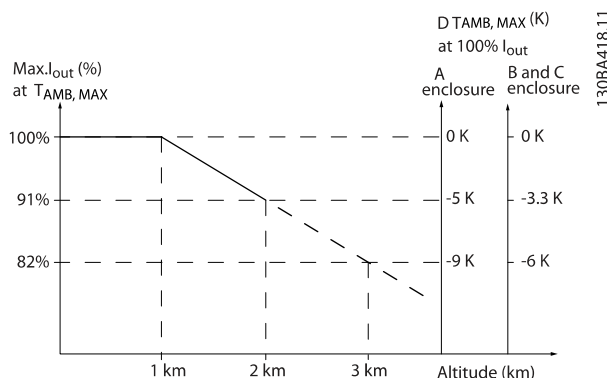


Illustration 8.3 Derating of output current versus altitude at $T_{AMB, MAX}$ for frame sizes A, B and C. At altitudes above 2km, please contact Danfoss regarding PELV.

An alternative is to lower the ambient temperature at high altitudes and thereby ensure 100% output current at high altitudes. As an example of how to read the graph, the situation at 2 km is elaborated. At a temperature of 45° C ($T_{AMB, MAX} - 3.3$ K), 91% of the rated output current is available. At a temperature of 41.7° C, 100% of the rated output current is available.

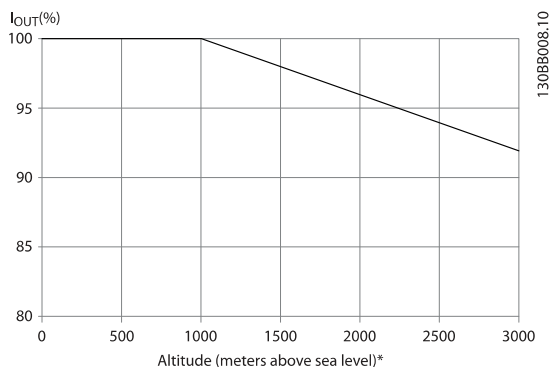


Illustration 8.4

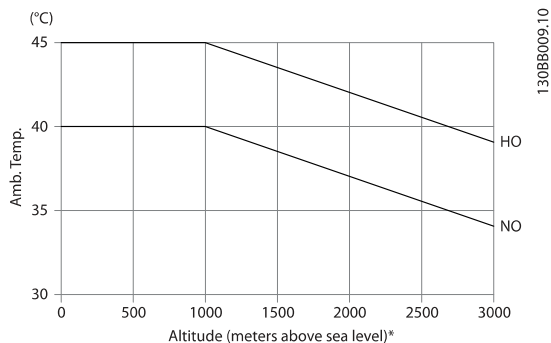


Illustration 8.5

Derating of output current versus altitude at $T_{AMB, MAX}$ for frame size D.

8.5.5 Derating for Running at Low Speed

When a motor is connected to a , it is necessary to check that the cooling of the motor is adequate. The level of heating depends on the load on the motor, as well as the operating speed and time.

Constant torque applications (CT mode)

A problem may occur at low RPM values in constant torque applications. In a constant torque application a motor may over-heat at low speeds due to less cooling air from the motor integral fan. Therefore, if the motor is to be run continuously at an RPM value lower than half of the rated value, the motor must be supplied with additional air-cooling (or a motor designed for this type of operation may be used).

An alternative is to reduce the load level of the motor by choosing a larger motor. However, the design of the puts a limit to the motor size.

Variable (Quadratic) torque applications (VT)

In VT applications such as centrifugal pumps and fans, where the torque is proportional to the square of the speed and the power is proportional to the cube of the speed, there is no need for additional cooling or de-rating of the motor.

In the graphs shown below, the typical VT curve is below the maximum torque with de-rating and maximum torque with forced cooling at all speeds.

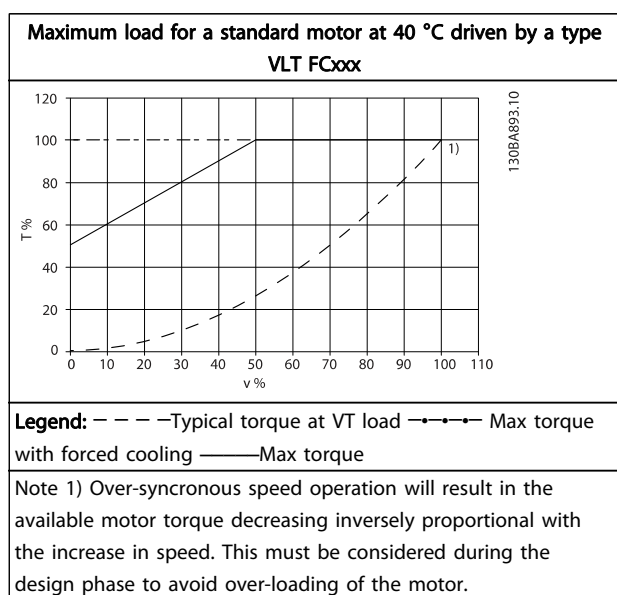


Table 8.32

8.6 Alarm and Status Messages

A warning or an alarm is signalled by the relevant LED on the front of the frequency converter and indicated by a code on the display.

A warning remains active until its cause is no longer present. Under certain circumstances operation of the motor may still be continued. Warning messages may be critical, but are not necessarily so.

In the event of an alarm, the frequency converter will have tripped. Alarms must be reset to restart operation once their cause has been rectified. This may be done in four ways:

1. By pressing [Reset].
2. Via a digital input with the "Reset" function.
3. Via serial communication/optional fieldbus.
4. By resetting automatically using the [Auto Reset] function, which is a default setting for VLT Refrigeration Drive, see 14-20 Reset Mode in VLT® Refrigeration Drive Programming Guide, MG16H

NOTE

After a manual reset pressing the [Reset], [Auto On] must be pressed to restart the motor.

If an alarm cannot be reset, the reason may be that its cause has not been rectified, or the alarm is trip-locked (see also table on following page).

Alarms that are trip-locked offer additional protection, since the mains supply must be switched off before the alarm can be reset. After being switched back on, the frequency converter is no longer blocked and may be reset as described above once the cause has been rectified.

Alarms that are not trip-locked can also be reset using the automatic reset function in 14-20 Reset Mode (Warning: automatic wake-up is possible!)

If a warning and alarm is marked against a code in the table on the following page, this means that either a warning occurs before an alarm, or it can be specified whether it is a warning or an alarm that is to be displayed for a given fault.

This is possible, for instance, in 1-90 Motor Thermal Protection. After an alarm or trip, the motor carries on coasting, and the alarm and warning flash on the

frequency converter. Once the problem has been rectified, only the alarm continues flashing.

No.	Description	Warning	Alarm/Trip	Alarm/Trip Lock	Parameter Reference
1	10 Volts low	X			
2	Live zero error	(X)	(X)		6-01
3	No motor	(X)			1-80
4	Mains phase loss	(X)	(X)	(X)	14-12
5	DC link voltage high	X			
6	DC link voltage low	X			
7	DC over voltage	X	X		
8	DC under voltage	X	X		
9	Inverter overloaded	X	X		
10	Motor ETR over temperature	(X)	(X)		1-90
11	Motor thermistor over temperature	(X)	(X)		1-90
12	Torque limit	X	X		
13	Over Current	X	X	X	
14	Earth fault	X	X	X	
15	Incomp. HW		X	X	
16	Short Circuit		X	X	
17	Control word timeout	(X)	(X)		8-04
18	Start failed		X		
19	Discharge temp. high	X	X		
23	Internal fans				
24	External fans				
25	Brake resistor short-circuited	X			
26	Brake resistor power limit	(X)	(X)		2-13
27	Brake chopper short-circuited	X	X		
28	Brake check	(X)	(X)		2-15
29	Power board over temp	X	X	X	
30	Motor phase U missing	(X)	(X)	(X)	4-58
31	Motor phase V missing	(X)	(X)	(X)	4-58
32	Motor phase W missing	(X)	(X)	(X)	4-58
33	Inrush fault		X	X	
34	Fieldbus communication fault	X	X		
36	Mains failure				
38	Internal fault		X	X	
40	Overload T27				
41	Overload T29				
42	Overload X30/6-7				
47	24 V supply low	X	X	X	
48	1.8 V supply low		X	X	
49	Speed limit	X	X		
50	AMA calibration failed		X		
51	AMA check U_{nom} and I_{nom}		X		
52	AMA low I_{nom}		X		
53	AMA motor too big		X		
54	AMA motor too small		X		
55	AMA parameter out of range		X		
56	AMA interrupted by user		X		
57	AMA timeout		X		
58	AMA internal fault	X	X		
59	Current limit	X			
60	External interlock				

No.	Description	Warning	Alarm/Trip	Alarm/Trip Lock	Parameter Reference
62	Output Frequency at Maximum Limit	X			
64	Voltage Limit	X			
65	Control Board Over-temperature	X	X	X	
66	Heat sink Temperature Low	X			
67	Option Configuration has Changed		X		
68	Safe Stop Activated	x	X		
70	Illegal FC configuration				
80	Drive Initialised to Default Value		X		
92	No-Flow	X	X		22-2*
93	Dry Pump	X	X		22-2*
94	End of Curve	X	X		22-5*
95	Broken Belt	X	X		22-6*
96	Start Delayed	X			22-7*
97	Stop Delayed	X			22-7*
98	Clock Fault	X			0-7*
219	Compressor Interlock	X			
250	New spare part				
251	New type code				

Table 8.33 Alarm/Warning Code List

(X) Dependent on parameter

Warning	yellow
Alarm	flashing red
Trip locked	yellow and red

Table 8.34 LED Indication

Alarm Word and Extended Status Word					
Bit	Hex	Dec	Alarm Word	Warning Word	Extended Status Word
0	00000001	1	Brake Check	Brake Check	Ramping
1	00000002	2	Pwr. Card Temp	Pwr. Card Temp	AMA Running
2	00000004	4	Earth Fault	Earth Fault	Start CW/CCW
3	00000008	8	Ctrl.Card Temp	Ctrl.Card Temp	Slow Down
4	00000010	16	Ctrl. Word TO	Ctrl. Word TO	Catch Up
5	00000020	32	Over Current	Over Current	Feedback High
6	00000040	64	Torque Limit	Torque Limit	Feedback Low
7	00000080	128	Motor Th Over	Motor Th Over	Output Current High
8	00000100	256	Motor ETR Over	Motor ETR Over	Output Current Low
9	00000200	512	Inverter Overld.	Inverter Overld.	Output Freq High
10	00000400	1024	DC under Volt	DC under Volt	Output Freq Low
11	00000800	2048	DC over Volt	DC over Volt	Brake Check OK
12	00001000	4096	Short Circuit	DC Voltage Low	Braking Max
13	00002000	8192	Inrush Fault	DC Voltage High	Braking
14	00004000	16384	Mains ph. Loss	Mains ph. Loss	Out of Speed Range
15	00008000	32768	AMA Not OK	No Motor	OVC Active
16	00010000	65536	Live Zero Error	Live Zero Error	
17	00020000	131072	Internal Fault	10V Low	
18	00040000	262144	Brake Overload	Brake Overload	
19	00080000	524288	U phase Loss	Brake Resistor	
20	00100000	1048576	V phase Loss	Brake IGBT	
21	00200000	2097152	W phase Loss	Speed Limit	
22	00400000	4194304	Fieldbus Fault	Fieldbus Fault	
23	00800000	8388608	24 V Supply Low	24V Supply Low	
24	01000000	16777216	Mains Failure	Mains Failure	

Alarm Word and Extended Status Word					
Bit	Hex	Dec	Alarm Word	Warning Word	Extended Status Word
25	02000000	33554432	1.8V Supply Low	Current Limit	
26	04000000	67108864	Brake Resistor	Low Temp	
27	08000000	134217728	Brake IGBT	Voltage Limit	
28	10000000	268435456	Option Change	Unused	
29	20000000	536870912	Drive Initialised	Unused	
30	40000000	1073741824	Safe Stop	Safe Stop	

Table 8.35 Description of Alarm Word, Warning Word and Extended Status Word

The alarm words, warning words and extended status words can be read out via serial bus or optional fieldbus for diagnosis. See also par. 16-90, 16-92 and 16-94.

Description of Alarm Word 2 and Warning Word 2				
Bit	Hex	Dec	Alarm Word 2	Warning Word 2
0	00000001	1		Start Delayed
1	00000002	2		Stop Delayed
9	00000200	512	Discharge Temperature High	Discharge Temperature High
10	00000400	1024	Start Limit	
11	00000800	2048	Speed Limit	

Table 8.36 Compressor specific Alarms and Warnings

8.6.1 Alarm Words

Bit (Hex)	Alarm Word (16-90 Alarm Word)
00000001	
00000002	Power card over temperature
00000004	Earth fault
00000008	
00000010	Control word timeout
00000020	Over current
00000040	
00000080	Motor thermistor over temp.
0000100	Motor ETR over temperature
0000200	Inverter overloaded
0000400	DC link under voltage
0000800	DC link over voltage
0001000	Short circuit
0002000	
0004000	Mains phase loss
0008000	AMA not OK
0010000	Live zero error
0020000	Internal fault
0040000	
0080000	Motor phase U is missing
00100000	Motor phase V is missing
00200000	Motor phase W is missing
00800000	Control Voltage Fault
01000000	
02000000	VDD, supply low
04000000	Brake resistor short circuit
08000000	Brake chopper fault
10000000	Earth fault DESAT
20000000	Drive initialised
40000000	Safe Stop [A68]
80000000	

Table 8.37 16-90 Alarm Word

Bit (Hex)	Alarm Word 2 (16-91 Alarm Word 2)
00000001	
00000002	Reserved
00000004	Service Trip, Typecode / Sparepart
00000008	Reserved
00000010	Reserved
00000020	
00000040	
00000080	
0000100	Broken Belt
0000200	Not used
0000400	Not used
0000800	Reserved
0001000	Reserved
0002000	Reserved
0004000	Reserved
0008000	Reserved
0010000	Reserved
0020000	Not used
0040000	Fans error
0080000	ECB error
00100000	Reserved
00200000	Reserved
00400000	Reserved
00800000	Reserved
01000000	Reserved
02000000	Reserved
04000000	Reserved
08000000	Reserved
10000000	Reserved
20000000	Reserved
40000000	PTC 1 Safe Stop [A71]
80000000	Dangerous Failure [A72]

Table 8.38 16-91 Alarm Word 2

8.6.2 Warning Words

Bit (Hex)	Warning Word (16-92 Warning Word)
00000001	
00000002	Power card over temperature
00000004	Earth fault
00000008	
00000010	Control word timeout
00000020	Over current
00000040	
00000080	Motor thermistor over temp.
00000100	Motor ETR over temperature
00000200	Inverter overloaded
00000400	DC link under voltage
00000800	DC link over voltage
00001000	
00002000	
00004000	Mains phase loss
00008000	No motor
00010000	Live zero error
00020000	
00040000	
00080000	
00100000	
00200000	
00400000	
00800000	
01000000	
02000000	Current limit
04000000	
08000000	
10000000	
20000000	
40000000	Safe Stop [W68]
80000000	Not used

Table 8.39 16-92 Warning Word

Bit (Hex)	Warning Word 2 (16-93 Warning Word 2)
00000001	
00000002	
00000004	Clock Failure
00000008	Reserved
00000010	Reserved
00000020	
00000040	
00000080	End of Curve
00000100	Broken Belt
00000200	Not used
00000400	Reserved
00000800	Reserved
00001000	Reserved
00002000	Reserved
00004000	Reserved
00008000	Reserved
00010000	Reserved
00020000	Not used
00040000	Fans warning
00080000	
00100000	Reserved
00200000	Reserved
00400000	Reserved
00800000	Reserved
01000000	Reserved
02000000	Reserved
04000000	Reserved
08000000	Reserved
10000000	Reserved
20000000	Reserved
40000000	PTC 1 Safe Stop [W71]
80000000	Reserved

Table 8.40 16-93 Warning Word 2

8.6.3 Extended Status Words

Bit (Hex)	Extended Status Word (16-94 Ext. Status Word)
00000001	Ramping
00000002	AMA tuning
00000004	Start CW/CCW
00000008	Not used
00000010	Not used
00000020	Feedback high
00000040	Feedback low
00000080	Output current high
00000100	Output current low
00000200	Output frequency high
00000400	Output frequency low
00000800	Brake check OK
00001000	Braking max
00002000	Braking
00004000	Out of speed range
00008000	OVC active
00010000	AC brake
00020000	Password Timelock
00040000	Password Protection
00080000	Reference high
00100000	Reference low
00200000	Local Ref./Remote Ref.
00400000	Reserved
00800000	Reserved
01000000	Reserved
02000000	Reserved
04000000	Reserved
08000000	Reserved
10000000	Reserved
20000000	Reserved
40000000	Reserved
80000000	Reserved

Table 8.41 Extended Status Word, 16-94 Ext. Status Word

Bit (Hex)	Extended Status Word 2 (16-95 Ext. Status Word 2)
00000001	Off
00000002	Hand / Auto
00000004	Not used
00000008	Not used
00000010	Not used
00000020	Relay 123 active
00000040	Start Prevented
00000080	Control ready
00000100	Drive ready
00000200	Quick Stop
00000400	DC Brake
00000800	Stop
00001000	Standby
00002000	Freeze Output Request
00004000	Freeze Output
00008000	Jog Request
00010000	Jog
00020000	Start Request
00040000	Start
00080000	Start Applied
00100000	Start Delay
00200000	Sleep
00400000	Sleep Boost
00800000	Running
01000000	Bypass
04000000	Reserved
08000000	Reserved
10000000	Reserved
20000000	Reserved
40000000	Reserved
80000000	Reserved

Table 8.42 Extended Status Word 2, 16-95 Ext. Status Word 2

8.6.4 Warning/Alarm List

WARNING 1, 10 Volts low:

The 10 V voltage from terminal 50 on the control card is below 10 V.

Remove some of the load from terminal 50, as the 10 V supply is overloaded. Max. 15 mA or minimum 590 ohm.

WARNING/ALARM 2, Live zero error:

The signal on terminal 53 or 54 is less than 50% of the value set in *6-10 Terminal 53 Low Voltage*, *6-12 Terminal 53 Low Current*, *6-20 Terminal 54 Low Voltage* or *6-22 Terminal 54 Low Current* respectively.

WARNING/ALARM 3, No motor:

No motor has been connected to the output of the frequency converter.

WARNING/ALARM 4, Mains phase loss:

A phase is missing on the supply side, or the mains voltage imbalance is too high.

This message also appears in case of a fault in the input rectifier on the frequency converter.

Check the supply voltage and supply currents to the frequency converter.

WARNING 5, DC link voltage high:

The intermediate circuit voltage (DC) is higher than the overvoltage limit of the control system. The frequency converter is still active.

WARNING 6, DC link voltage low

The intermediate circuit voltage (DC) is below the undervoltage limit of the control system. The frequency converter is still active.

WARNING/ALARM 7, DC over voltage:

If the intermediate circuit voltage exceeds the limit, the frequency converter trips after a time.

Connect a brake resistor. Extend the ramp time

Possible corrections:

Connect a brake resistor

Extend the ramp time

Activate functions in *2-10 Brake Function*

Increase *14-26 Trip Delay at Inverter Fault*

Voltage ranges	3x200-240 V	3x380-480 V
	[V DC]	[V DC]
Undervoltage	185	373
Voltage warning low	205	410
Voltage warning high (w/o brake - w/brake)	390/405	810/840
Overvoltage	410	855
The voltages stated are the intermediate circuit voltage of the frequency converter with a tolerance of $\pm 5\%$. The corresponding mains voltage is the intermediate circuit voltage (DC-link) divided by 1.35		

Table 8.43 Alarm/Warning Limits

WARNING/ALARM 8, DC under voltage:

If the intermediate circuit voltage (DC) drops below the "voltage warning low" limit (see *Table 8.43*), the frequency converter checks if 24 V backup supply is connected.

If no 24 V backup supply is connected, the frequency converter trips after a given time depending on the unit. To check whether the supply voltage matches the frequency converter, see *8.1 General Specifications*.

WARNING/ALARM 9, Inverter overloaded:

The frequency converter is about to cut out because of an overload (too high current for too long). The counter for electronic, thermal inverter protection gives a warning at 98% and trips at 100%, while giving an alarm. Reset cannot be performed before counter is below 90%. The fault is that the frequency converter is overloaded by more than 100% for too long.

WARNING/ALARM 10, Motor ETR over temperature:

According to the electronic thermal protection (ETR), the motor is too hot. It can be chosen if the frequency converter is to give a warning or an alarm when the counter reaches 100% in *1-90 Motor Thermal Protection*. The fault is that the motor is overloaded by more than 100% for too long. Check that *1-24 Motor Current* is set correctly.

WARNING/ALARM 11, Motor thermistor over temp:

The thermistor or the thermistor connection is disconnected. Choose if the frequency converter is to give a warning or an alarm when the counter reaches 100% in *1-90 Motor Thermal Protection*. Check that the thermistor is connected correctly between terminal 53 or 54 (analog voltage input) and terminal 50 (+10 V supply), or between terminal 18 or 19 (digital input PNP only) and terminal 50. If a KTY sensor is used, check for correct connection between terminal 54 and 55.

WARNING/ALARM 12, Torque limit:

The torque is higher than the value in *4-16 Torque Limit Motor Mode* (in motor operation) or the torque is higher than the value in *4-17 Torque Limit Generator Mode* (in regenerative operation).

WARNING/ALARM 13, Over Current:

The inverter peak current limit (approx. 200% of the rated current) is exceeded. The warning will last approx. 8-12 s, then the frequency converter trips and issues an alarm. Turn off the frequency converter and check if the motor shaft can be turned and if the motor size matches the frequency converter.

ALARM 14, Earth fault:

There is a discharge from the output phases to earth, either in the cable between the frequency converter and the motor or in the motor itself.

Turn off the frequency converter and remove the earth fault.

ALARM 15, In-complete hardware:

A fitted option is not handled by the present control board (hardware or software).

ALARM 16, Short-circuit:

There is short-circuiting in the motor or on the motor terminals.

Turn off the frequency converter and remove the short-circuit.

WARNING/ALARM 17, Control word timeout:

There is no communication to the frequency converter.

The warning will only be active when *8-04 Control Timeout Function* is NOT set to [0] OFF.

If *8-04 Control Timeout Function* is set to [5] *Stop and Trip*, a warning appears and the frequency converter ramps down until it trips, while giving an alarm.

8-03 Control Timeout Time could possibly be increased.

Alarm 18, Start Failed

The speed has not been able to exceed Max Start Speed (*1-77 Compressor Start Max Speed [RPM]*) during the start within the allowed time (*1-79 Compressor Start Max Time to Trip*). This may be caused by a blocked rotor.

Warning/ Alarm 19, Discharge Temperature High

Warning:

The discharge temperature exceeds the level programmed in *28-24 Warning Level*. If so programmed in the frequency converter lowers the speed of the compressor in an attempt to lower the discharge temperature.

Alarm:

The discharge temperature exceeds the level programmed in *28-26 Emergency Level*.

WARNING 25, Brake resistor short-circuited:

The brake resistor is monitored during operation. If it short-circuits, the brake function is disconnected and the warning appears. The frequency converter still works, but without the brake function. Turn off the frequency converter and replace the brake resistor (see *2-15 Brake Check*).

ALARM/WARNING 26, Brake resistor power limit:

The power transmitted to the brake resistor is calculated as a percentage, as a mean value over the last 120 s, on the basis of the resistance value of the brake resistor (*2-11 Brake Resistor (ohm)*) and the intermediate circuit voltage. The warning is active when the dissipated braking power is higher than 90%. If [2] *Trip* has been selected in *2-13 Brake Power Monitoring*, the frequency converter cuts out and issues this alarm, when the dissipated braking power is higher than 100%.

WARNING 27, Brake chopper fault:

The brake transistor is monitored during operation and if it short-circuits, the brake function disconnects and the warning comes up. The frequency converter is still able to run, but since the brake transistor has short-circuited, substantial power is transmitted to the brake resistor, even if it is inactive. Turn off the frequency converter and remove the brake resistor.

NOTE

Warning: There is a risk of substantial power being transmitted to the brake resistor if the brake transistor is short-circuited.

ALARM/WARNING 28, Brake check failed:

Brake resistor fault: the brake resistor is not connected/working.

ALARM 29, Frequency converter over temperature:

If the enclosure is IP20 or IP21/TYPE 1, the cut-out temperature of the heat-sink is $95\text{ °C} \pm 5\text{ °C}$, dependent on size of frequency converter. The temperature fault cannot be reset, until the temperature of the heatsink is below $70\text{ °C} \pm 5\text{ °C}$.

The fault could be:

- Ambient temperature too high
- Too long motor cable

ALARM 30, Motor phase U missing:

Motor phase U between the frequency converter and the motor is missing.

Turn off the frequency converter and check motor phase U.

ALARM 31, Motor phase V missing:

Motor phase V between the frequency converter and the motor is missing.

Turn off the frequency converter and check motor phase V.

ALARM 32, Motor phase W missing:

Motor phase W between the frequency converter and the motor is missing.

Turn off the frequency converter and check motor phase W.

ALARM 33, Inrush fault:

Too many power-ups have occurred within a short time period. See *8.1 General Specifications* for the allowed number of power-ups within one minute.

WARNING/ALARM 34, Fieldbus communication fault:

The fieldbus on the communication option card is not working.

WARNING 35, Out of frequency range:

This warning is active if the output frequency has reached *4-52 Warning Speed Low* or *4-53 Warning Speed High*. If the frequency converter is set to [3] *closed loop* in *1-00 Configuration Mode*, the warning is active in the display. If the frequency converter is not in this mode bit 008000 *Out of frequency range* in extended status word is active but there is no warning in the display.

ALARM 38, Internal fault:

Contact the local Danfoss supplier.

WARNING 47, 24 V supply low:

The external 24 V DC backup power supply may be overloaded, otherwise contact the local Danfoss supplier.

WARNING 48, 1.8 V supply low:

Contact the local Danfoss supplier.

ALARM 49, Speed Limit:

When the speed is not within the specified range in *4-11 Motor Speed Low Limit [RPM]* and *4-13 Motor Speed High Limit [RPM]*, the frequency converter will show a warning. When the speed is below the specified limit in *1-86 Trip Speed Low [RPM]* (except when starting or stopping) the frequency converter will trip.

ALARM 50, AMA calibration failed:

Contact the local Danfoss supplier.

ALARM 51, AMA check Unom and Inom:

The setting of motor voltage, motor current, and motor power is presumably wrong. Check the settings.

ALARM 52, AMA low Inom:

The motor current is too low. Check the settings.

ALARM 53, AMA motor too big:

The motor is too big for the AMA to be carried out.

ALARM 54, AMA motor too small:

The motor is too small for the AMA to be carried out.

ALARM 55, AMA par. out of range:

The par. values found from the motor are outside acceptable range.

ALARM 56, AMA interrupted by user:

The AMA has been interrupted by the user.

ALARM 57, AMA timeout:

Try to start the AMA again a number of times, until the AMA is carried out. Please note that repeated runs may heat the motor to a level where the resistance R_s and R_r are increased. In most cases, however, this is not critical.

ALARM 58, AMA internal fault:

Contact the local Danfoss supplier.

WARNING 59, Current limit:

The current is higher than the value in *4-18 Current Limit*.

WARNING 60, External interlock:

External interlock has been activated. To resume normal operation, apply 24 V DC to the terminal programmed for external interlock and reset the frequency converter (via serial communication, digital I/O, or by pressing [Reset]).

WARNING 62, Output Frequency at Maximum Limit:

The output frequency is higher than the value set in *4-19 Max Output Frequency*.

WARNING 64, Voltage Limit:

The load and speed combination demands a motor voltage higher than the actual DC link voltage.

WARNING/ALARM/TRIP 65, Control Card Over Temperature:

Control card over temperature: The cut-out temperature of the control card is 80 °C.

WARNING 66, Heatsink Temperature Low:

The heat sink temperature is measured as 0 °C. This could indicate that the temperature sensor is defective and thus the fan speed is increased to the maximum in case the power part or control card is very hot.

ALARM 67, Option Configuration has Changed:

One or more options has either been added or removed since the last power-down.

ALARM 68, Safe Stop Activated:

Safe Stop has been activated. To resume normal operation, apply 24 V DC to terminal 37, then send a reset signal (via Bus, Digital I/O, or by pressing [Reset]). For correct and safe use of the Safe Stop function follow the related information and instructions in the Design Guide

ALARM 70, Illegal Frequency Configuration:

Actual combination of control board and power board is illegal.

ALARM 80, Initialization to Default Value:

Parameter settings are initialised to default setting after a manual (three-finger) reset.

Warning 96, Start Delayed:

A start signal is suppressed because the time that has passed since last accepted start is less than the minimum time programmed in *22-76 Interval between Starts*.

Warning 97, Stop Delayed:

A stop signal is suppressed because the motor has been running less time than the minimum time programmed in *22-77 Minimum Run Time*.

Warning 219, Compressor Interlock:

At least one compressor is inversely interlocked via a digital input. The interlocked compressors can be viewed in *25-87 Inverse Interlock*.

ALARM 250, New Spare Part:

The power or Switch Mode Power Supply has been exchanged. The frequency converter type code must be restored in the EEPROM. Select the correct type code in *14-23 Typecode Setting* according to the label on unit. Remember to select 'Save to EEPROM' to complete.

ALARM 251, New Type Code:

The frequency converter has got a new type code.

Index

A

Abbreviations..... 6

Accessory Bags..... 59

Acoustic Noise..... 117

Aggressive Environments..... 12

Air Humidity..... 12

Alarm Words..... 127

Aluminium Conductors..... 64

AMA..... 83

Analog

 I/O Option MCB 109..... 42

 I/O Selection..... 42

 Inputs..... 7

 Outputs - Terminal X30/5+8..... 38

 Voltage Inputs - Terminal X30/10-12..... 37

Automatic

 Adaptations To Ensure Performance..... 122

 Motor Adaptation..... 83

 Motor Adaptation (AMA)..... 71

B

Basic Wiring Example..... 69

Battery Back-up Of Clock Function..... 42

Better Control..... 19

Branch Circuit Protection..... 67

Break-away Torque..... 7

Building

 Management System..... 42

 Management System, BMS..... 18

C

Cable

 Clamp..... 80

 Clamps..... 77

 Length And Cross-section..... 64

Cables General..... 62

CE Conformity And Labelling..... 11

Clockwise Rotation..... 74

Closed Loop Control For A Ventilation System..... 24

Coasting..... 103, 6, 101

Communication Option..... 131

Comparison Of Energy Savings..... 18

Conducted Emission..... 28, 31

Constant Torque Applications (CT Mode)..... 123

Control

 Cable Terminals..... 68

 Cables..... 77, 64, 70, 63, 70

 Card, USB Serial Communication..... 115

 Structure Closed Loop..... 21

 Structure Open Loop..... 20

 Terminals..... 68

 Word..... 101

Cooling

 Cooling..... 123

 Conditions..... 60

Cos Φ Compensation..... 19

D

Data Types Supported By The Frequency Converter..... 91

DC

 Brake..... 101

 Link..... 130

Definitions..... 6

Derating

 For Ambient Temperature..... 122

 For Low Air Pressure..... 122

 For Running At Low Speed..... 123

Digital

 Inputs - Terminal X30/1-4..... 37

 Outputs - Terminal X30/5-7..... 38

Direction Of Motor Rotation..... 74

Disposal Instruction..... 11

Drive Configurator..... 51

DU/dt Filters..... 50

E

Earth Leakage Current..... 77, 32

Earthing

 Earthing..... 80

 Of Screened/Armoured Control Cables..... 80

Efficiency..... 117

Electrical

 Installation..... 63, 64, 70

 Installation - EMC Precautions..... 77

 Terminals..... 13

EMC

 Directive 2004/108/EC..... 12

 Precautions..... 87

 Test Results..... 28, 31

Emission Requirements..... 26

Enclosure Knock-outs..... 65

Energy Savings..... 19, 17

Equalising Cable..... 80

ETR..... 73, 130

Example Of Closed Loop PID Control..... 24

Extended

 Status Word..... 129

 Status Word 2..... 129

External	
24 V DC Supply.....	41
Fan Supply.....	73
Extreme Running Conditions.....	33
F	
FC Profile.....	101
Field Mounting.....	61
Fieldbus Option.....	44
Final Set-Up And Test.....	71
Freeze Output.....	6
Frequency	
Converter Hardware Setup.....	87
Converter Set-up.....	88
Converter With Modbus RTU.....	93
Function Codes Supported By Modbus RTU.....	97
Fuse Specifications.....	67
Fuses.....	67
G	
General	
Aspects Of EMC Emissions.....	25
Aspects Of Harmonics Emission.....	28
Gland/Conduit Entry - IP21 (NEMA 1) And IP54 (NEMA12)...	66
H	
Harmonic Filters.....	55
Harmonics	
Emission Requirements.....	29
Test Results (Emission).....	29
High	
Power Series Mains And Motor Connections.....	62
Voltage Test.....	77
Hold Output Frequency.....	101
How	
To Connect A PC To The Frequency Converter.....	76
To Control The Frequency Converter.....	97
I	
I/Os For Set Point Inputs.....	42
Immunity Requirements.....	29
Index (IND).....	90
Installation At High Altitudes.....	10
Intermediate Circuit.....	33, 117, 118, 130
IP 21/Type 1 Enclosure Kit.....	48
IP21/IP41/ TYPE 1 Enclosure Kit.....	47
J	
Jog.....	6, 102
K	
KTY Sensor.....	130
L	
Laws Of Proportionality.....	17
LCP.....	6, 8, 20, 45, 46
Legal Information.....	5
Lifting.....	61
Literature.....	5
Load Drive Settings.....	76
Local (Hand On) And Remote (Auto On) Control.....	20
M	
Mains	
Drop-out.....	33
Supply.....	9
Manual PID Adjustment.....	25
MCB 105 Option.....	38
MCT 31.....	77
Mechanical	
Dimensions.....	57, 58
Dimensions - High Power.....	58
Mounting.....	60
Modbus	
Communication.....	87
Exception Codes.....	97
Moment Of Inertia.....	33
Motor	
Bearing Currents.....	75
Cables.....	77, 64
Name Plate.....	71
Name Plate Data.....	71
Output.....	112
Parameters.....	83
Phases.....	33
Protection.....	73, 116
Rotation.....	74
Thermal Protection.....	104, 34, 74
Voltage.....	118
Motor-generated Over-voltage.....	33
Multi-zone Control.....	42
N	
Name Plate Data.....	71
Network Connection.....	86
Ni1000 Temperature Sensor.....	42
O	
Options And Accessories.....	36

Ordering	
Numbers.....	51
Numbers: Harmonic Filters.....	55
Numbers: Options And Accessories.....	53
Numbers: Sine Wave Filter Modules, 200-500 V AC.....	55
Output Filters	50
Outputs For Actuators	42
P	
Parallel Connection Of Motors	73
Parameter	
Number (PNU).....	90
Values.....	98
Pay Back Period	18
PC Software Tools	76
PC-based Configuration Tool MCT 10 Set-up Software	76
Peak Voltage On Motor	117
PELV - Protective Extra Low Voltage	31
PLC	80
Potentiometer Reference	83
Power	
Factor.....	9
Factor Correction.....	19
Principle Diagram	42
Programming Order	24
Protection	12, 31
Protocol Overview	87
Pt1000 Temperature Sensor	42
Public Supply Network	29
Pulse Start/Stop	82
R	
Radiated Emission	28, 31
Rated Motor Speed	6
RCD	8
Read Holding Registers (03 HEX)	99
Real-time Clock (RTC)	43
Reference Handling	23
Relay	
Option MCB 105.....	38
Output.....	73
Removal Of Knockouts For Extra Cables	65
Residual Current Device	81
Rise Time	118
RS-485	
RS-485.....	86
Bus Connection.....	75
S	
Safe	
Stop.....	13
Stop Installation.....	15
Safety	
Category 3 (EN 954-1).....	16
Earth Connection.....	77
Note.....	10
Regulations.....	10
Requirements Of Mechanical Installation.....	61
Save Drive Settings	76
Screened/armoured	70
Screened/armoured	64
Screening Of Cables	64
Serial	
Communication.....	80
Communication Port.....	7
Set Speed Limit And Ramp Time	72
Short Circuit (Motor Phase – Phase)	33
Sine-wave Filters	50
Smart	
Logic Control.....	83
Logic Control Programming.....	83
Soft-starter	19
Software Versions	54
Star/Delta Starter	19
Start/Stop	82
Static Overload In VVCplus Mode	33
Status Word	103
Stopping Category 0 (EN 60204-1)	16
Successful AMA	72
Switches S201, S202, And S801	71
Switching	
Frequency.....	64
On The Output.....	33
Symbols	5
T	
Telegram Length (LGE)	88
The	
Clear Advantage - Energy Savings.....	17
EMC Directive (2004/108/EC).....	11
Low-voltage Directive (2006/95/EC).....	11
Machinery Directive (2006/42/EC).....	11
Thermistor	8
Tightening Of Terminals	62
Torque Characteristics	112
Transmitter/sensor Inputs	42
Tuning The Drive Closed Loop Controller	25
Type Code String	51

U

Unsuccessful AMA.....	72
USB Connection.....	68
Use Of EMC-Correct Cables.....	79

V**Variable**

(Quadratic) Torque Applications (VT).....	123
Control Of Flow And Pressure.....	19
Varying Flow Over 1 Year.....	18
Vibration And Shock.....	13
Voltage Level.....	112
VVCplus).....	9

W**Warning**

Against Unintended Start.....	10
Words.....	128

What

Is CE Conformity And Labelling?.....	11
Is Covered.....	11



www.danfoss.com/drives

Danfoss can accept no responsibility for possible errors in catalogues, brochures and other printed material. Danfoss reserves the right to alter its products without notice. This also applies to products already on order provided that such alterations can be made without subsequential changes being necessary in specifications already agreed. All trademarks in this material are property of the respective companies. Danfoss and the Danfoss logotype are trademarks of Danfoss A/S. All rights reserved.

